

8

7

6

5

4

3

2

1

F

E

D

C

B

A

F

E

D

C

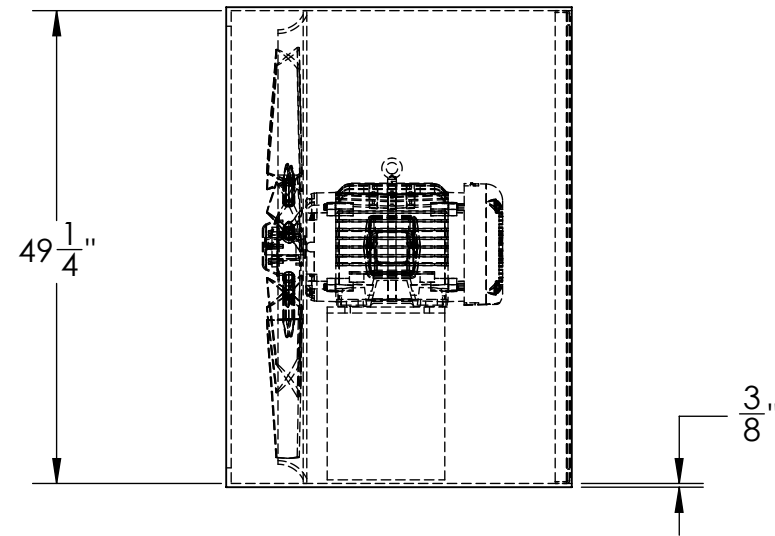
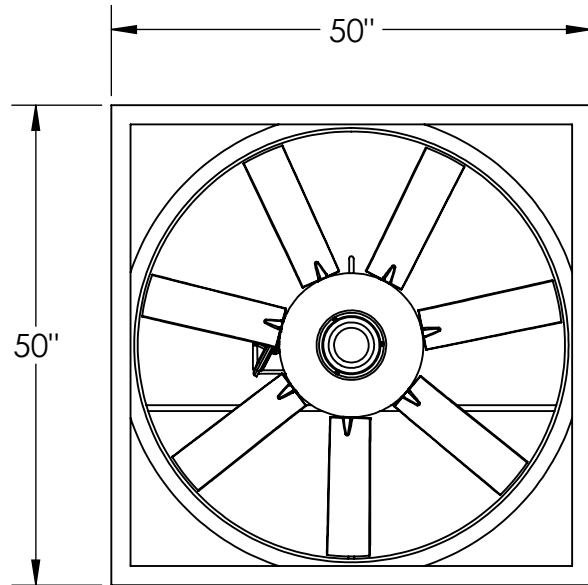
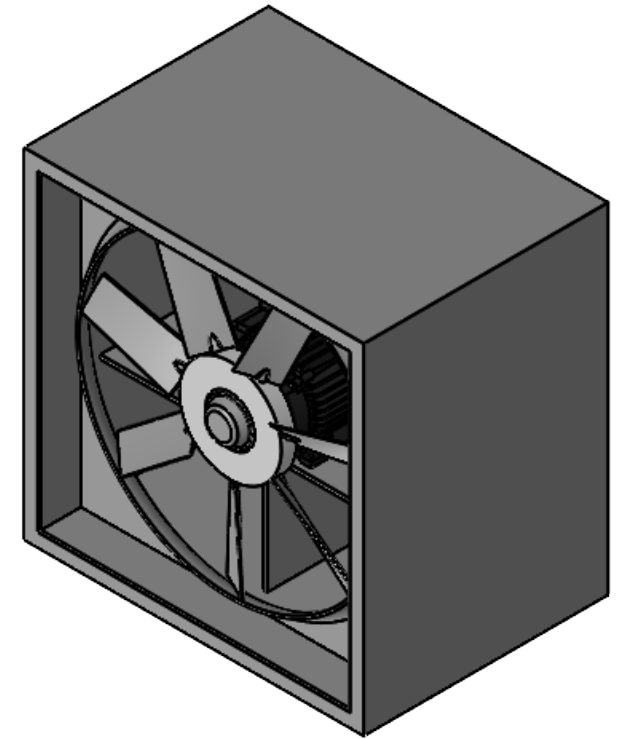
B

A



NOTES:

- VINYL ESTER RESIN CONSTRUCTION
- UV INHIBITOR ON EXTERIOR
- STD GRAY EXTERIOR
- C-VEIL ON AIRSTREAM
- DIRECT DRIVE
- 316SS SHAFT AND HARDWARE
- INLET SCREEN



**PROPRIETARY AND CONFIDENTIAL**  
 THE INFORMATION CONTAINED IN THIS DRAWING IS THE SOLE PROPERTY OF VIRTUAL POLYMER COMPOUNDS. ANY REPRODUCTION IN PART OR AS A WHOLE WITHOUT THE WRITTEN PERMISSION OF VIRTUAL POLYMER COMPOUNDS IS PROHIBITED.

		UNLESS OTHERWISE SPECIFIED:	NAME	DATE
		DIMENSIONS ARE IN INCHES	DRAWN	CD
		TOLERANCES:	CHECKED	---
		FRACTIONAL ±	ENG APPR.	---
		ANGULAR: MACH ± BEND ±	MFG APPR.	---
		TWO PLACE DECIMAL ±	Q.A.	---
		THREE PLACE DECIMAL ±	COMMENTS:	
NEXT ASSY	USED ON	INTERPRET GEOMETRIC TOLERANCING PER:		
		MATERIAL:		
		FINISH:		
APPLICATION		DO NOT SCALE DRAWING		

**CFT** COMPOSITE FAN TECHNOLOGY

TITLE:  
**WBF GENERAL ASSEMBLY DRAWING**

SIZE	DWG. NO.	REV
<b>B</b>		-

SCALE:      WEIGHT:      SHEET 1 OF 2

8

7

6

5

4

3

2

1

8

7

6

5

4

3

2

1

F

F

E

E

D

D

C

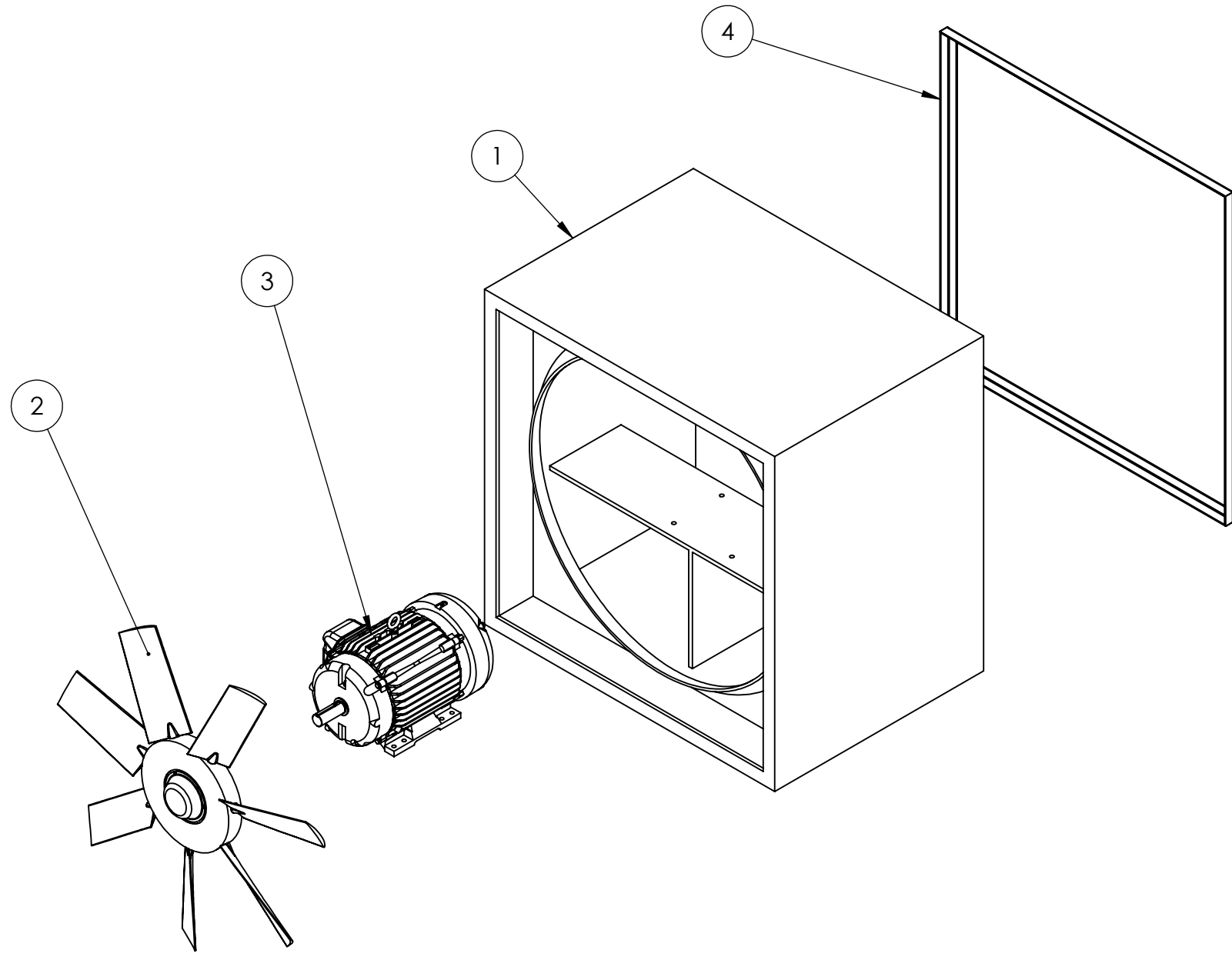
C

B

B

A

A



ITEM NO.	DESCRIPTION
1	HOUSING
2	WHEEL
3	MOTOR
4	INLET SCREEN

**PROPRIETARY AND CONFIDENTIAL**  
 THE INFORMATION CONTAINED IN THIS DRAWING IS THE SOLE PROPERTY OF VIRTUAL POLYMER COMPOUNDS. ANY REPRODUCTION IN PART OR AS A WHOLE WITHOUT THE WRITTEN PERMISSION OF VIRTUAL POLYMER COMPOUNDS IS PROHIBITED.

		UNLESS OTHERWISE SPECIFIED:		NAME	DATE
		DIMENSIONS ARE IN INCHES		DRAWN	CD 2/23/21
		TOLERANCES:		CHECKED	---
		FRACTIONAL: ±		ENG APPR.	---
		ANGULAR: MACH ± BEND ±		MFG APPR.	---
		TWO PLACE DECIMAL ±		Q.A.	---
		THREE PLACE DECIMAL ±		COMMENTS:	
		INTERPRET GEOMETRIC TOLERANCING PER:			
		MATERIAL:			
		FINISH:			
NEXT ASSY	USED ON				
APPLICATION		DO NOT SCALE DRAWING			

**CFT** COMPOSITE FAN TECHNOLOGY

TITLE:  
**WBF GENERAL ASSEMBLY DRAWING**

SIZE	DWG. NO.	REV
<b>B</b>		-

SCALE:      WEIGHT:      SHEET 2 OF 2

8

7

6

5

4

3

2

1