

FL450 COVER

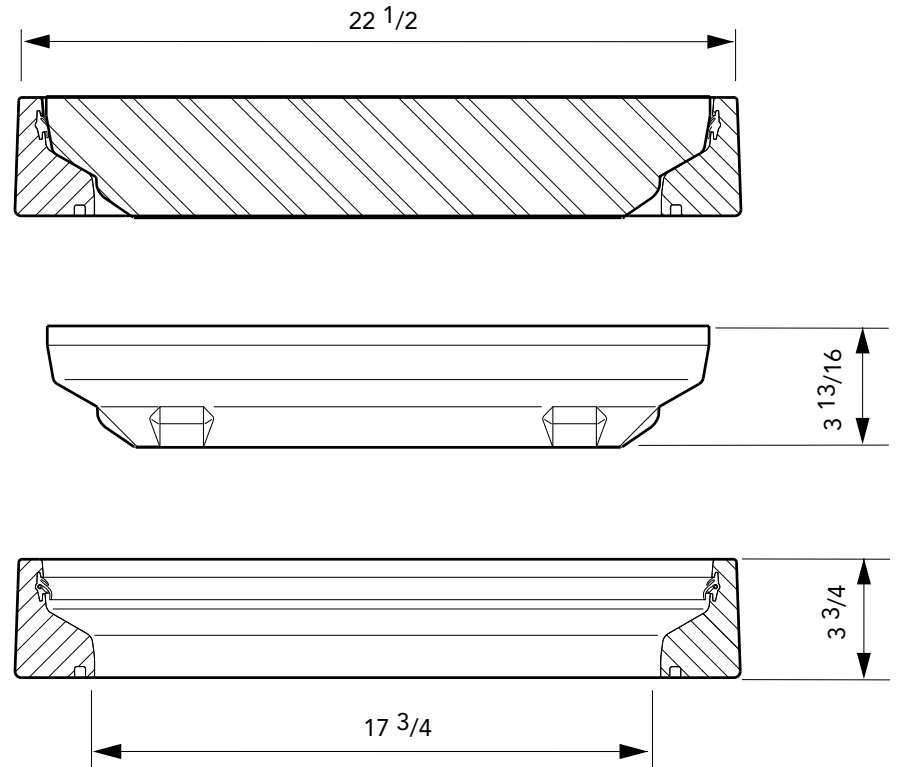
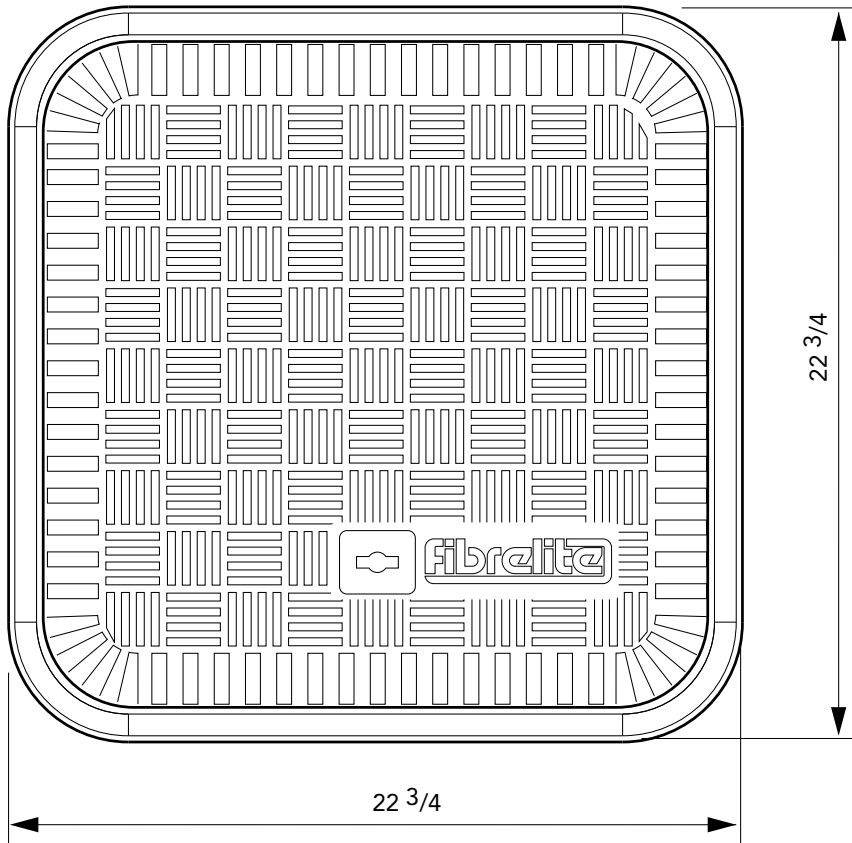
SEAL

FL450 FRAME

18" x 18" flat sealed composite cover with an aluminum frame.

For reference purposes only. This drawing is not a specification. Order against product code only. To enable continuous improvement of our products, the designs and specifications are subject to change without notice.

FIBRELITE 
PART OF OPW A  DOVER COMPANY



| Load Rating | Cover Weight | Frame Weight |
|-------------|--------------|--------------|
| SD | 29 lbs | 19 lbs |

18" x 18" flat sealed composite cover with an aluminum frame.

For reference purposes only. This drawing is not a specification. Order against product code only. To enable continuous improvement of our products, the designs and specifications are subject to change without notice.



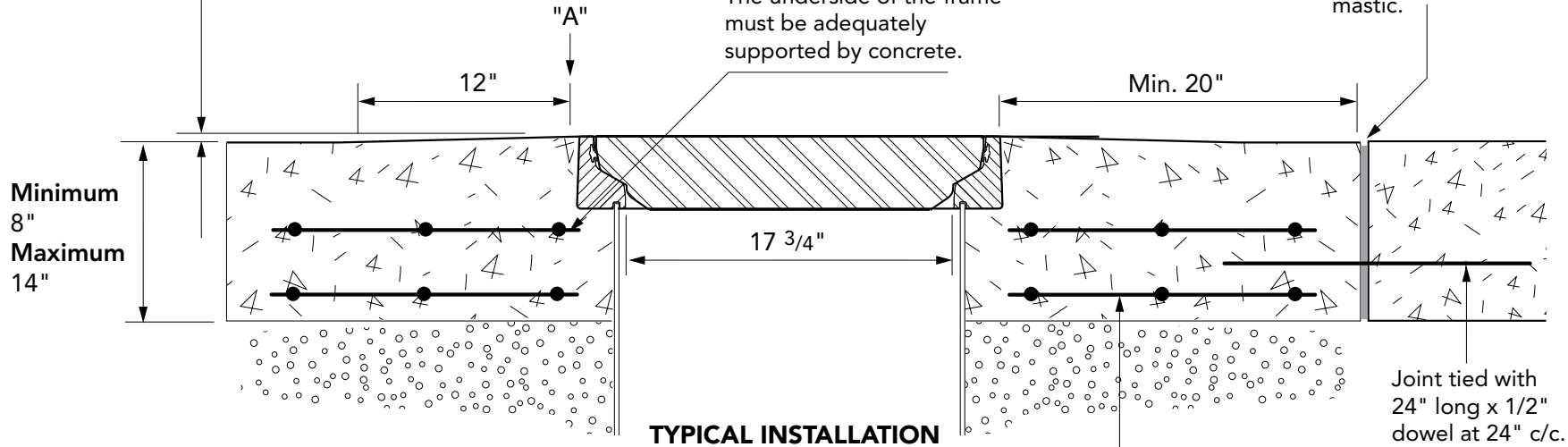
CONCRETE

VERY IMPORTANT

OUTER EDGE "A" OF FRAME SET 1/4" ABOVE GENERAL GRADE AREA WITH CONCRETE RAMPED AWAY OVER 12"

VERY IMPORTANT
The underside of the frame must be adequately supported by concrete.

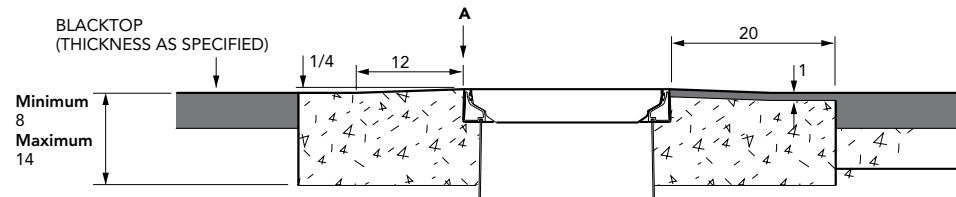
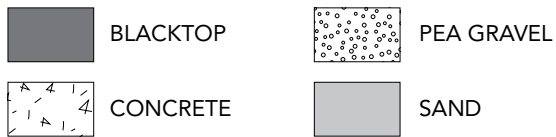
Expansion joint filled with petrol resistant mastic.



TYPICAL INSTALLATION

Concrete reinforced with 2 layers of reinforcement mesh.

BLACKTOP



18" x 18" flat sealed composite cover with an aluminum frame.

For reference purposes only. This drawing is not a specification. Order against product code only. To enable continuous improvement of our products, the designs and specifications are subject to change without notice.

