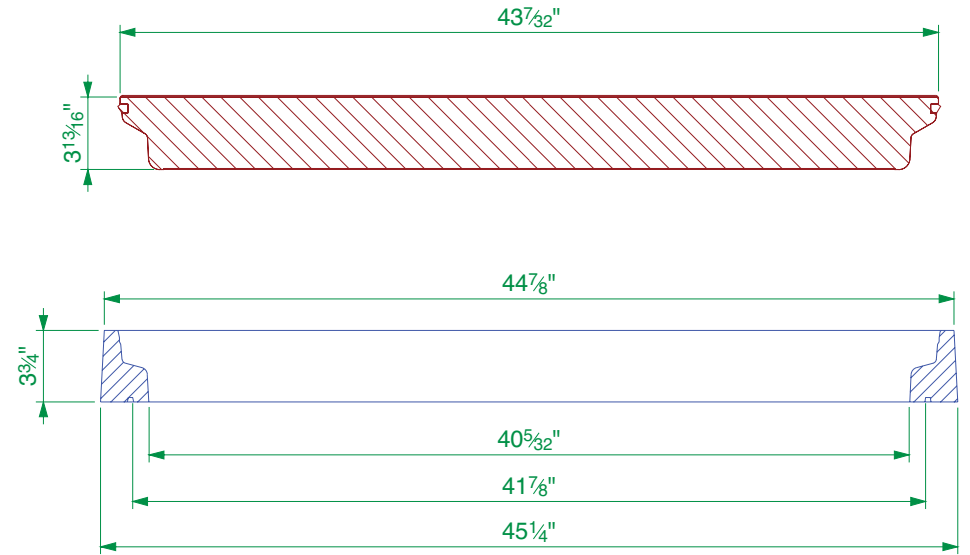
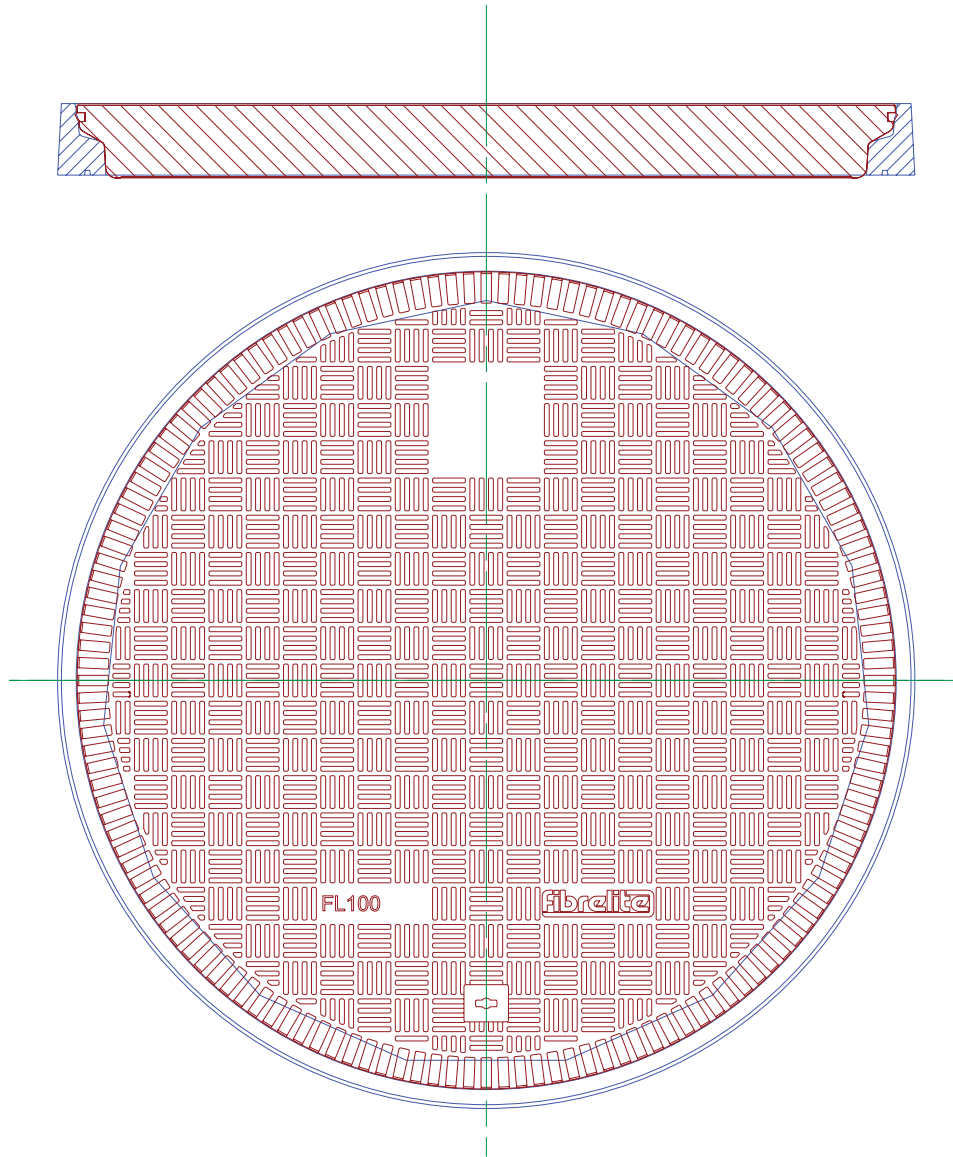


40" diameter flat sealed composite cover and frame.

For reference purposes only. This drawing is not a specification. Order against product code only. To enable continuous improvement of our products, the designs and specifications are subject to change without notice.

**FIBRELITE**   
PART OF OPW A  DOVER COMPANY



Load Rating	Cover Weight	Frame Weight
SD	112 lbs	22 lbs
HD	140 lbs	22 lbs

40" diameter flat sealed composite cover and frame.

For reference purposes only. This drawing is not a specification. Order against product code only. To enable continuous improvement of our products, the designs and specifications are subject to change without notice.

**FIBRELITE**   
PART OF OPW A DOVER COMPANY

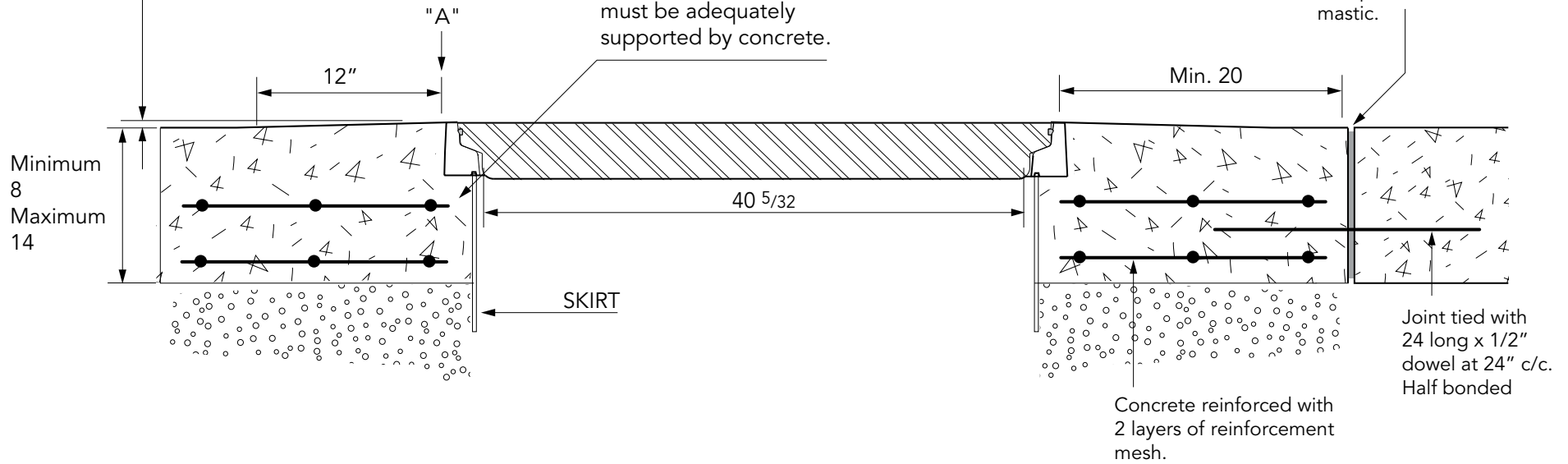
**CONCRETE**

**VERY IMPORTANT**

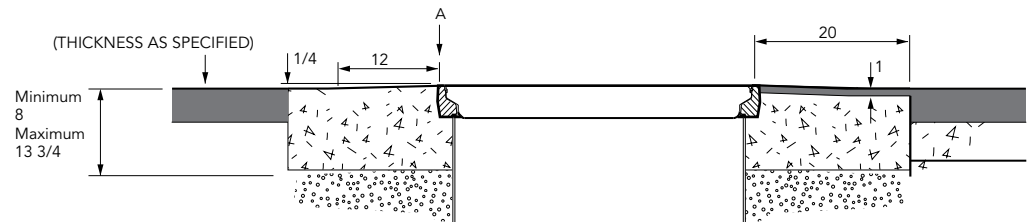
OUTER EDGE "A" OF FRAME SET 1/4" - 1/2" ABOVE GENERAL GRADE AREA WITH CONCRETE RAMPED AWAY OVER 12"

**VERY IMPORTANT**

The underside of the frame must be adequately supported by concrete.



**BLACKTOP**



40" diameter flat sealed composite cover and frame.

For reference purposes only. This drawing is not a specification. Order against product code only. To enable continuous improvement of our products, the designs and specifications are subject to change without notice.

