

8

7

6

5

4

3

2

1

F

F

E

E

D

D

C

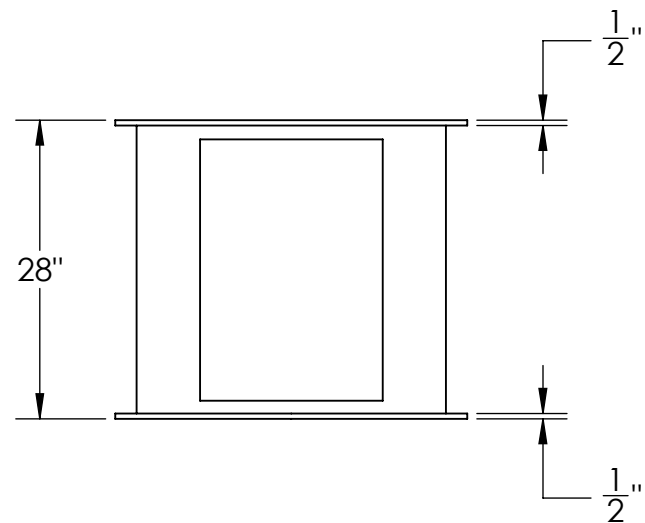
C

B

B

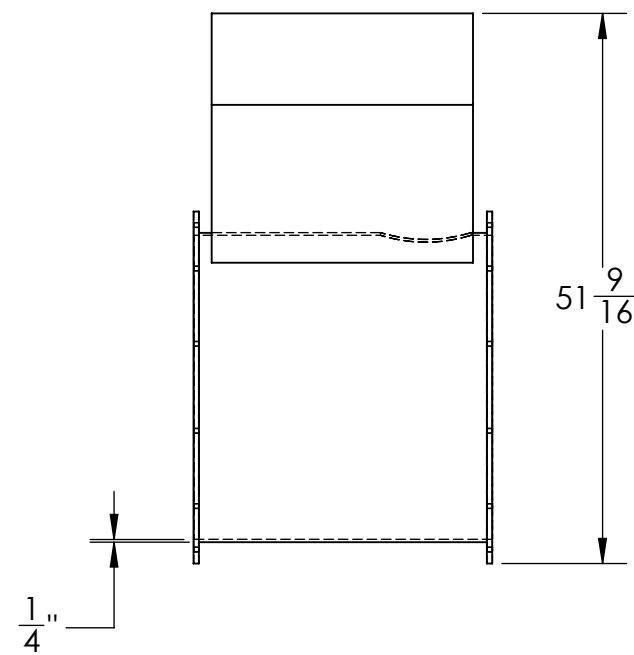
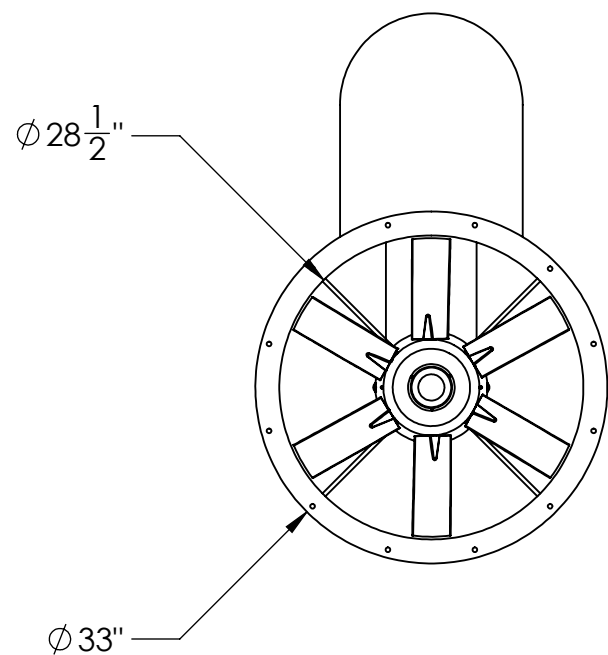
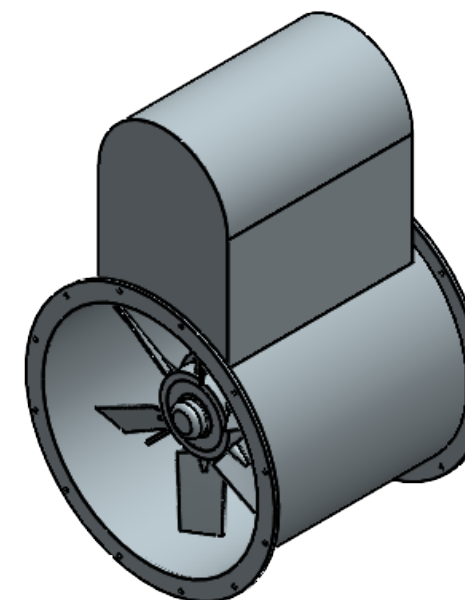
A

A



NOTES:

- VINYL ESTER RESIN CONSTRUCTION
- 316SS HARDWARE AND SHAFT
- V-BELT DRIVE
- EPDM SHAFT SEAL
- UV INHIBITOR ON EXTERIOR
- CORROSION BARRIER ON AIRSTREAM
- STD GRAY EXTERIOR FINISH



PROPRIETARY AND CONFIDENTIAL
 THE INFORMATION CONTAINED IN THIS DRAWING IS THE SOLE PROPERTY OF VIRTUAL POLYMER COMPOUNDS. ANY REPRODUCTION IN PART OR AS A WHOLE WITHOUT THE WRITTEN PERMISSION OF VIRTUAL POLYMER COMPOUNDS IS PROHIBITED.

		UNLESS OTHERWISE SPECIFIED:		NAME	DATE
		DIMENSIONS ARE IN INCHES	DRAWN	CD	3/25/21
		TOLERANCES:	CHECKED	---	---
		FRACTIONAL: ±	ENG APPR.	---	---
		ANGULAR: MACH ± BEND ±	MFG APPR.	---	---
		TWO PLACE DECIMAL ±	Q.A.	---	---
		THREE PLACE DECIMAL ±	COMMENTS:		
		INTERPRET GEOMETRIC TOLERANCING PER:			
		MATERIAL:			
		FINISH:			
NEXT ASSY	USED ON				
APPLICATION		DO NOT SCALE DRAWING			

CFT COMPOSITE FAN TECHNOLOGY

TITLE:
28TA GENERAL ASSEMBLY DRAWING

SIZE	DWG. NO.	REV
B		-
SCALE:	WEIGHT:	SHEET 1 OF 2

8

7

6

5

4

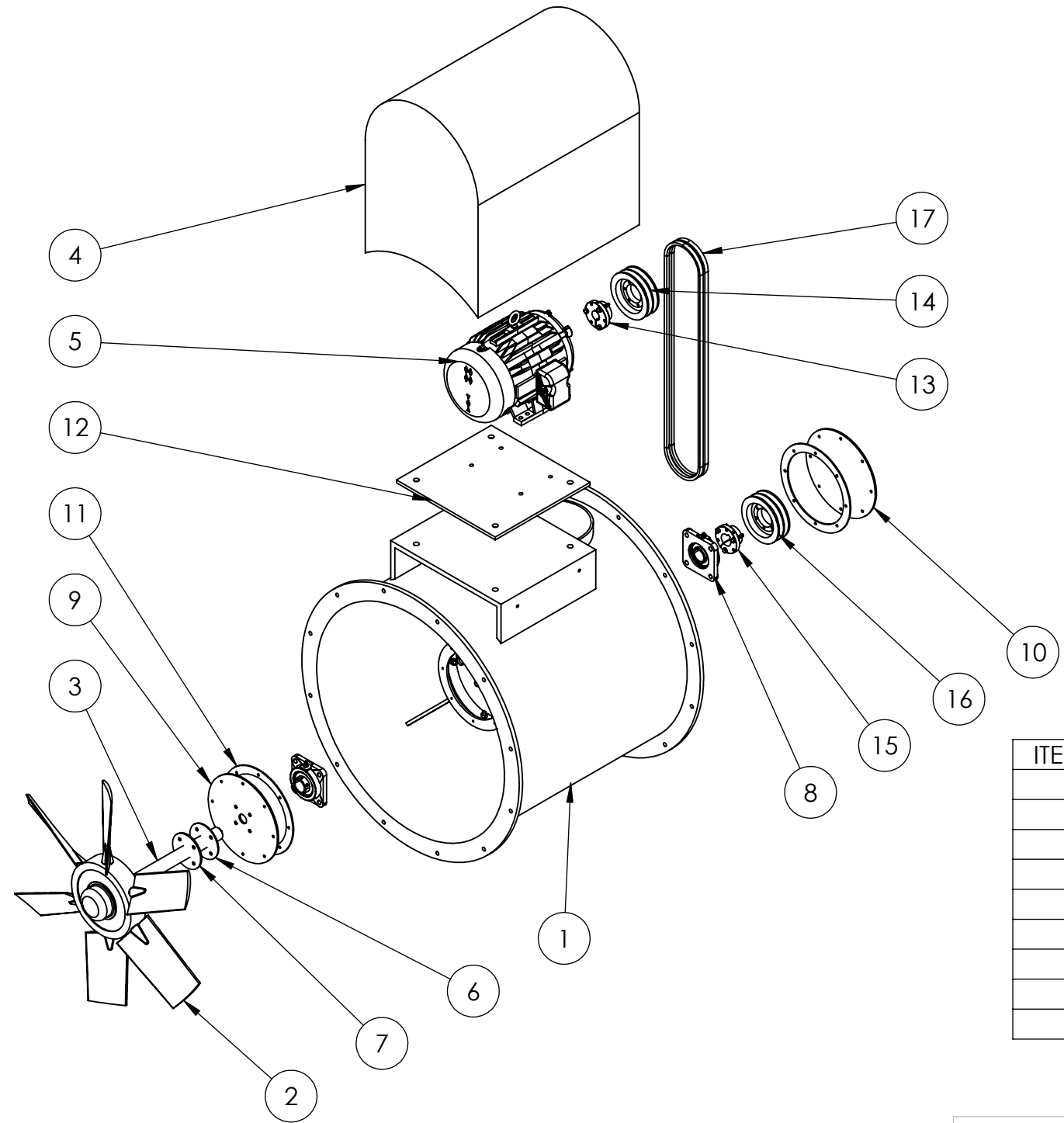
3

2

1

8 7 6 5 4 3 2 1

F
E
D
C
B
A



ITEM NO.	DESCRIPTION	ITEM NO.	DESCRIPTION
1	HOUSING	10	BACK BEARING COVER
2	WHEEL	11	BEARING COVER GASKET
3	SHAFT	12	MOTOR PLATE
4	WEATHER COVER	13	DRIVE QD BUSHING
5	MOTOR	14	DRIVE SHEAVE
6	SHAFT SEAL	15	SHAFT QD BUSHING
7	SHAFT SEAL PLATE	16	SHAFT SHEAVE
8	BEARING	17	BELT
9	FRONT BEARING COVER		

PROPRIETARY AND CONFIDENTIAL
 THE INFORMATION CONTAINED IN THIS DRAWING IS THE SOLE PROPERTY OF VIRTUAL POLYMER COMPOUNDS. ANY REPRODUCTION IN PART OR AS A WHOLE WITHOUT THE WRITTEN PERMISSION OF VIRTUAL POLYMER COMPOUNDS IS PROHIBITED.

		UNLESS OTHERWISE SPECIFIED:		NAME	DATE	COMPOSITE FAN TECHNOLOGY TITLE: 28 TA GENERAL ASSEMBLY DRAWING		
		DIMENSIONS ARE IN INCHES		DRAWN	CD 3/25/2021			
		TOLERANCES:		CHECKED	---			
		FRACTIONAL: ±		ENG APPR.	---			
		ANGULAR: MACH ± BEND ±		MFG APPR.	---			
		TWO PLACE DECIMAL ±		Q.A.	---	SIZE	DWG. NO.	REV
		THREE PLACE DECIMAL ±		COMMENTS:		B		-
		INTERPRET GEOMETRIC TOLERANCING PER:				SCALE:	WEIGHT:	SHEET 2 OF 2
		MATERIAL:						
		FINISH:						
NEXT ASSY	USED ON	DO NOT SCALE DRAWING						

8 7 6 5 4 3 2 1

F
E
D
C
B
A