

8

7

6

5

4

3

2

1

F

E

D

C

B

A

F

E

D

C

B

A

R7 INSULATION VALUE STANDARD.  
HIGHER R VALUES AVAILABLE

20 MIL POLYESTER BEIGE  
GELCOAT STANDARD. OTHER  
RESINS AND COLORS  
AVAILABLE

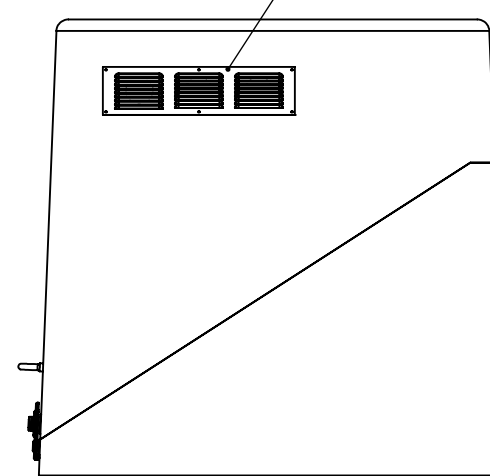
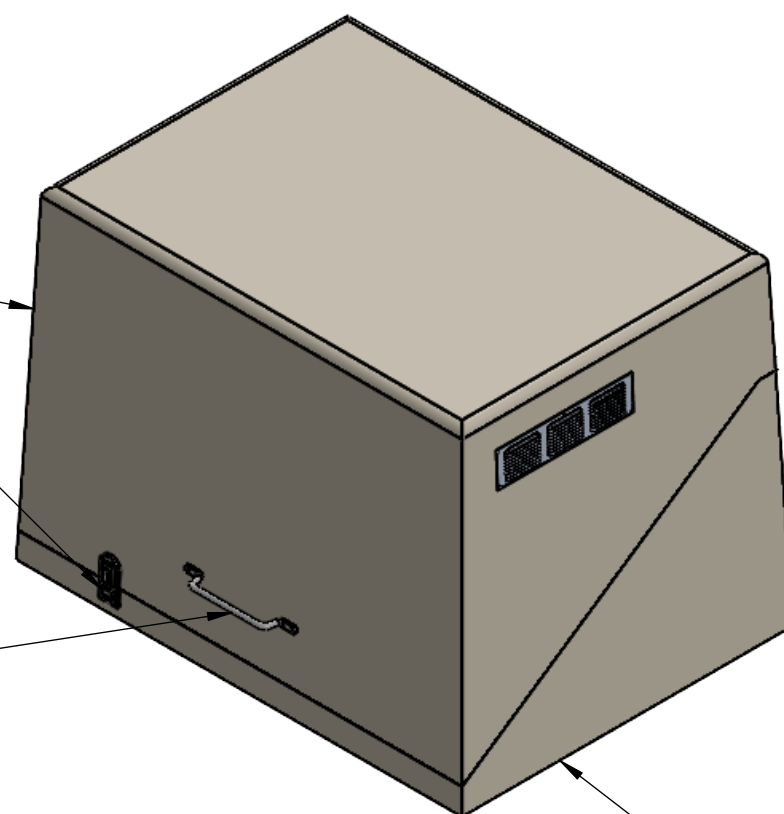
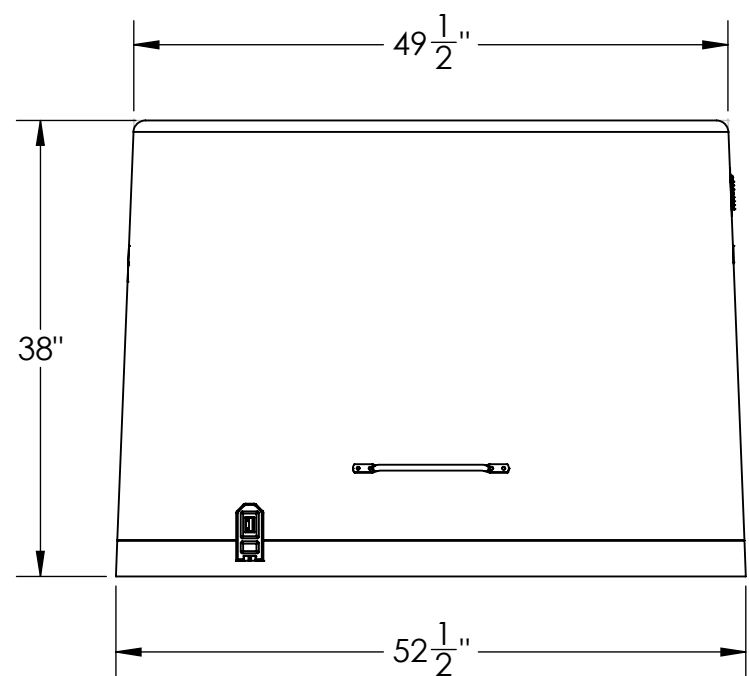
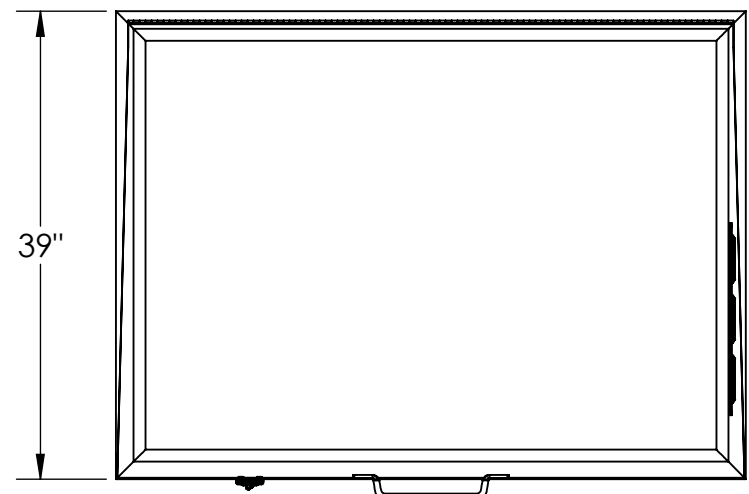
PADLOCKABLE STAINLESS STEEL HASP

STAINLESS STEEL HANDLE

SCREENED FIXED LOUVER VENT

3 INCH INTERNAL MOUNTING FLANGE

STAINLESS STEEL REAR PIANO HINGE



OPTIONAL FEATURES:

- 3/8" THICK INTEGRAL FIBERGLASS FLOOR
- EQUIPMENT MOUNTING BOARD
- 110V 60W INCANDESCENT LIGHT WITH WALL SWITCH
- VENTILATION FAN, 60CFM WITH REMOTE THERMOSTAT
- BASEBOARD 500W ELECTRIC HEATER W INTEGRAL THERMOSTAT
- 110/220 V LOAD CENTER W 100A MAIN AND 4X 20A BREAKERS
- 12X12 WINDOW IN DOOR

CUSTOM CONFIGURATIONS AVAILABLE!

PROPRIETARY AND CONFIDENTIAL

THE INFORMATION CONTAINED IN THIS DRAWING IS THE SOLE PROPERTY OF VIRTUAL POLYMER COMPOUNDS. ANY REPRODUCTION IN PART OR AS A WHOLE WITHOUT THE WRITTEN PERMISSION OF VIRTUAL POLYMER COMPOUNDS IS PROHIBITED.

		UNLESS OTHERWISE SPECIFIED:	NAME	DATE
		DIMENSIONS ARE IN INCHES	DRAWN	CD
		TOLERANCES:	CHECKED	---
		FRACTIONAL ±	ENG APPR.	---
		ANGULAR: MACH ± BEND ±	MFG APPR.	---
		TWO PLACE DECIMAL ±	Q.A.	---
		THREE PLACE DECIMAL ±	COMMENTS:	
		INTERPRET GEOMETRIC TOLERANCING PER:		
		MATERIAL:		
		FINISH:		
NEXT ASSY	USED ON			
APPLICATION		DO NOT SCALE DRAWING		



TITLE:  
**ENDURO MODEL 433  
FIBERGLASS ENCLOSURE**

SIZE	DWG. NO.	REV
<b>B</b>	M433	-
SCALE:	WEIGHT:	SHEET 1 OF 3

8

7

6

5

4

3

2

1

8

7

6

5

4

3

2

1

F

E

D

C

B

A

F

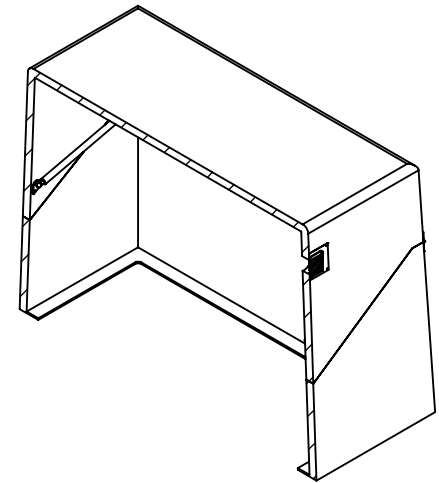
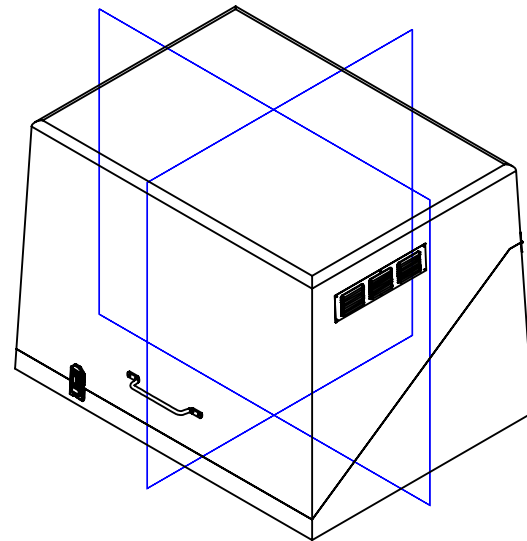
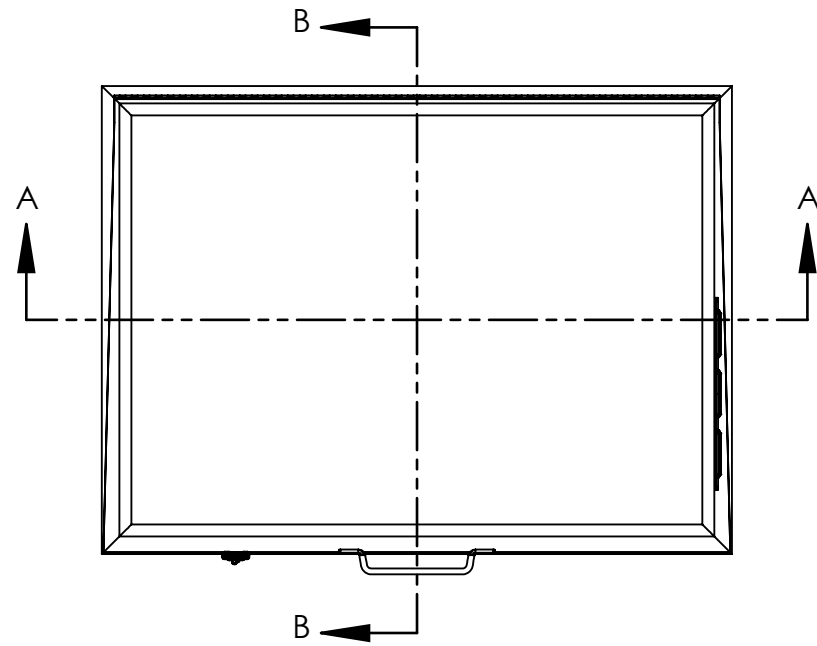
E

D

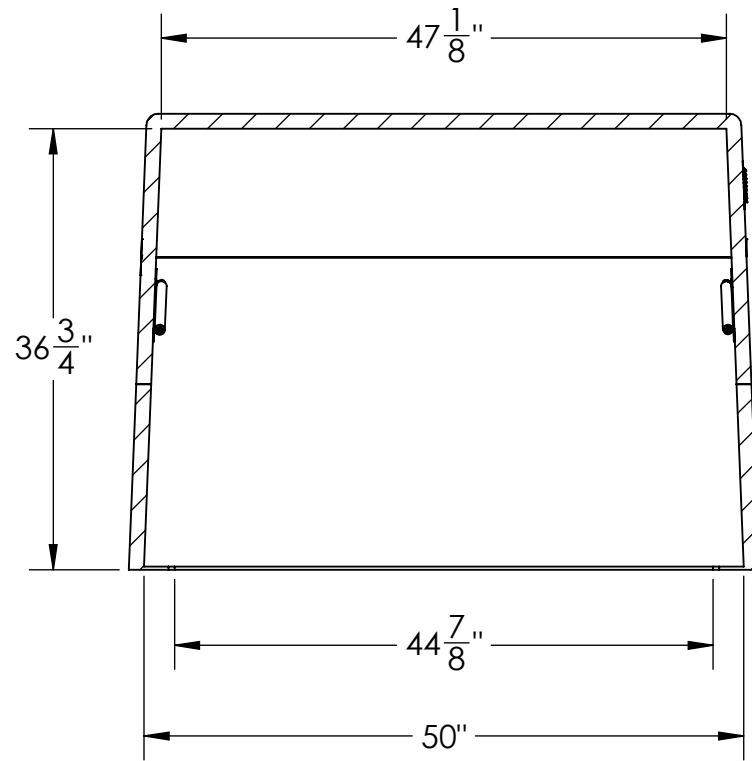
C

B

A



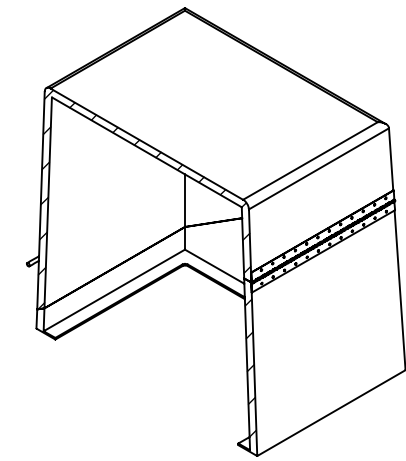
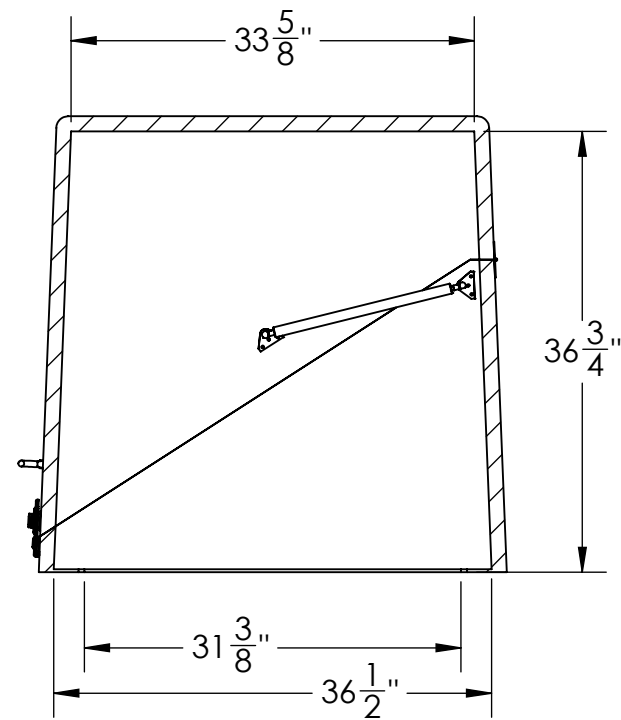
SECTION A-A



SECTION A-A


OPTIONAL GAS SHOCKS SHOWN

SECTION B-B



SECTION B-B

**PROPRIETARY AND CONFIDENTIAL**  
 THE INFORMATION CONTAINED IN THIS DRAWING IS THE SOLE PROPERTY OF VIRTUAL POLYMER COMPOUNDS. ANY REPRODUCTION IN PART OR AS A WHOLE WITHOUT THE WRITTEN PERMISSION OF VIRTUAL POLYMER COMPOUNDS IS PROHIBITED.

		UNLESS OTHERWISE SPECIFIED:		NAME	DATE	 <small>Virtual Polymer Compounds VPC Fiberglass        vpcfiberglass.com   P 865.717.9665 F 716.542.6790        5427 E. 117th St. - Medina, OH 44130</small>
		DIMENSIONS ARE IN INCHES TOLERANCES: FRACTIONAL ± ANGULAR: MACH ± BEND ± TWO PLACE DECIMAL ± THREE PLACE DECIMAL ±		DRAWN	CD	
		INTERPRET GEOMETRIC TOLERANCING PER:		CHECKED	---	---
		MATERIAL:		ENG APPR.	---	---
		FINISH:		MFG APPR.	---	---
NEXT ASSY	USED ON			Q.A.	---	---
APPLICATION		DO NOT SCALE DRAWING		COMMENTS:		
				TITLE:		<b>ENDURO MODEL 433 FIBERGLASS ENCLOSURE</b>
		SIZE	DWG. NO.	REV		
		<b>B</b>	M433	-		
		SCALE:	WEIGHT:	SHEET 2 OF 3		

8

7

6

5

4

3

2

1

8

7

6

5

4

3

2

1

F

F

E

E

D

D

C

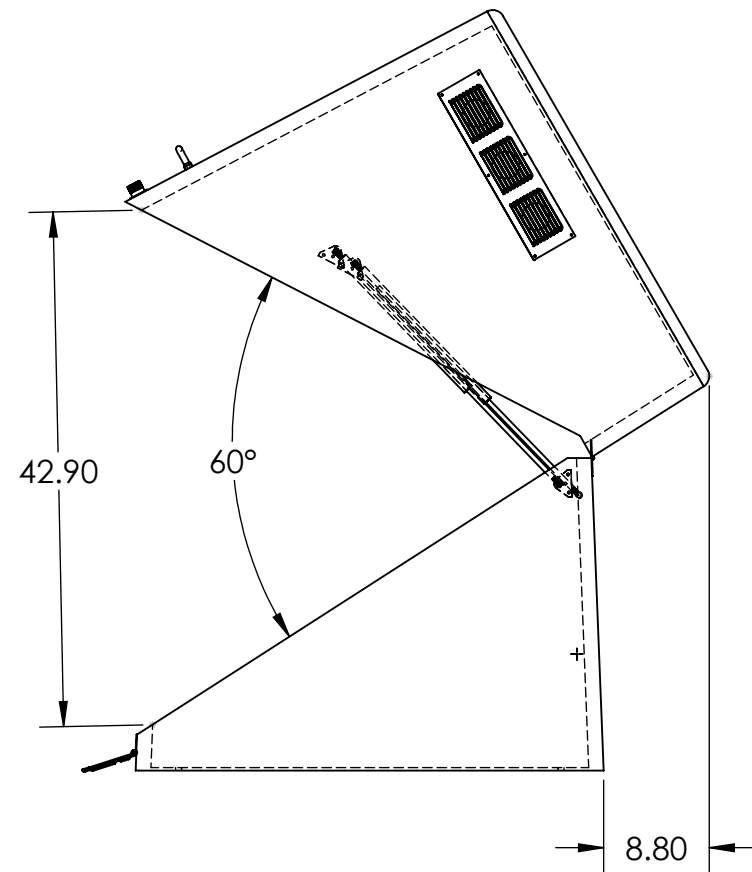
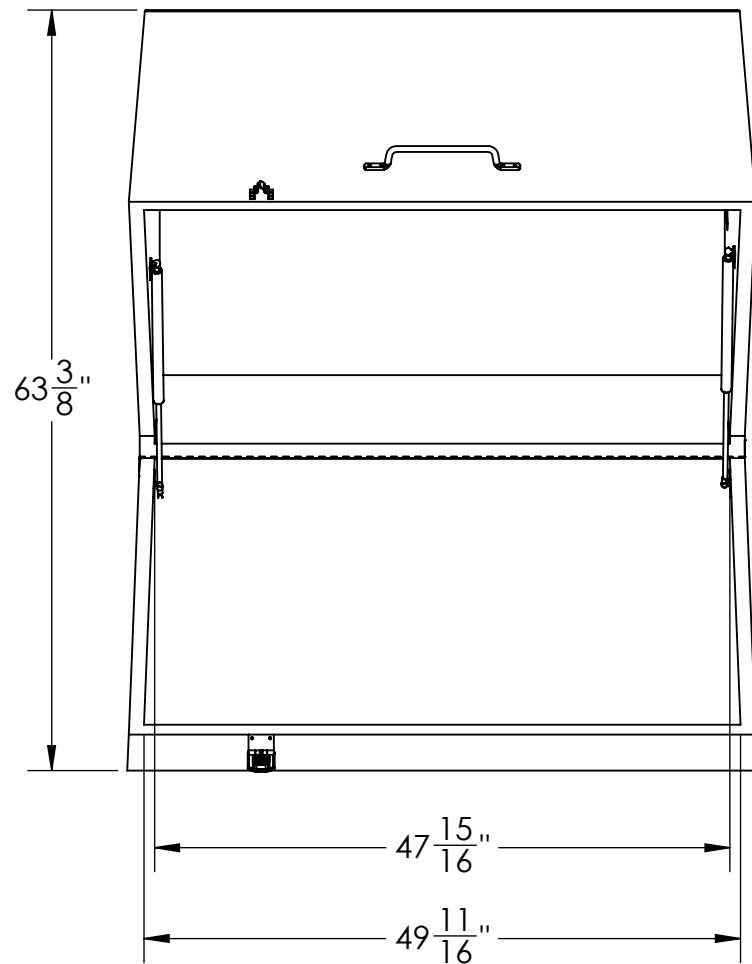
C

B

B

A

A



NOMINAL LID OPEN POSITION SHOWN

**PROPRIETARY AND CONFIDENTIAL**  
 THE INFORMATION CONTAINED IN THIS DRAWING IS THE SOLE PROPERTY OF VIRTUAL POLYMER COMPOUNDS. ANY REPRODUCTION IN PART OR AS A WHOLE WITHOUT THE WRITTEN PERMISSION OF VIRTUAL POLYMER COMPOUNDS IS PROHIBITED.

		UNLESS OTHERWISE SPECIFIED:	NAME	DATE
		DIMENSIONS ARE IN INCHES	DRAWN	CD
		TOLERANCES:	CHECKED	---
		FRACTIONAL ±	ENG APPR.	---
		ANGULAR: MACH ± BEND ±	MFG APPR.	---
		TWO PLACE DECIMAL ±	Q.A.	---
		THREE PLACE DECIMAL ±	COMMENTS:	
		INTERPRET GEOMETRIC TOLERANCING PER:		
		MATERIAL:		
		FINISH:		
NEXT ASSY	USED ON			
APPLICATION		DO NOT SCALE DRAWING		



TITLE:  
**ENDURO MODEL 433  
 FIBERGLASS ENCLOSURE**

SIZE	DWG. NO.	REV
<b>B</b>	M433	-
SCALE:	WEIGHT:	SHEET 3 OF 3

8

7

6

5

4

3

2

1