

8

7

6

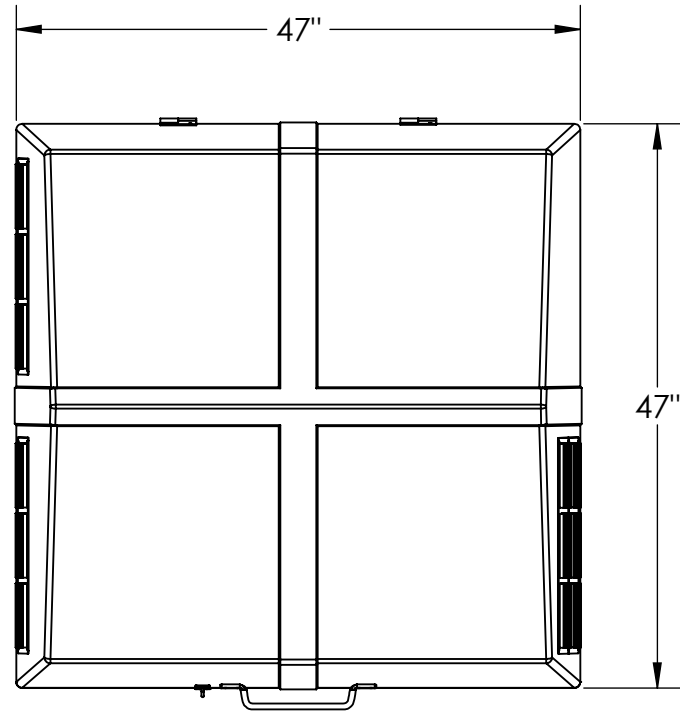
5

4

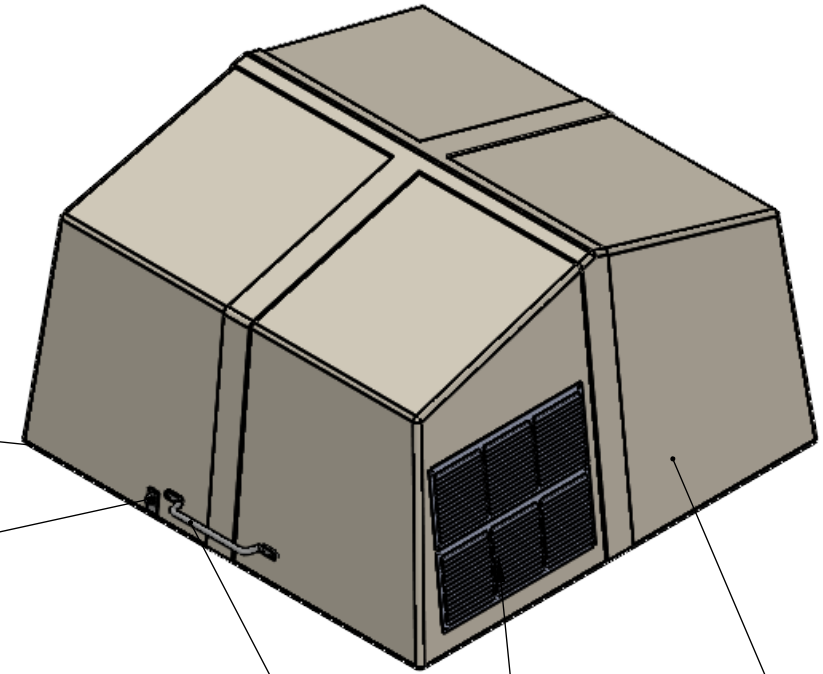
3

2

1



R7 INSULATION VALUE STANDARD.  
HIGHER R VALUES AVAILABLE.



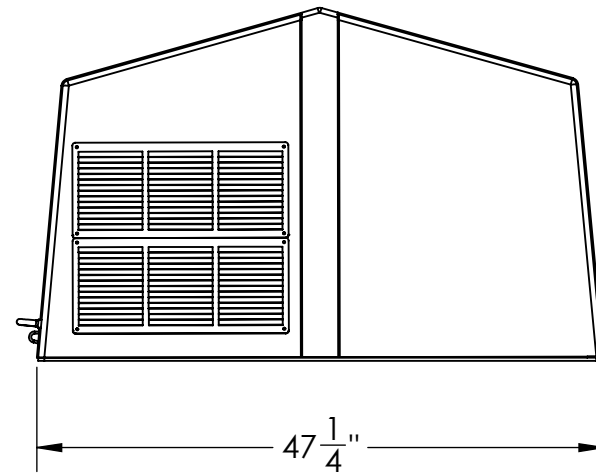
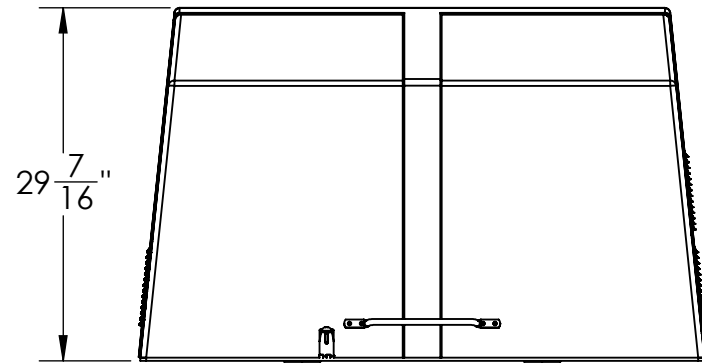
1/4" PULTRUDED FLOOR

PADLOCKABLE HASP

304SS PULL HANDLE AND EXTERIOR HARDWARE

LOUVER VENTS

20 MIL POLYESTER BEIGE GELCOAT  
STANDARD. OTHER RESIN SYSTEMS  
AND COLORS OPTIONAL.



**PROPRIETARY AND CONFIDENTIAL**  
THE INFORMATION CONTAINED IN THIS  
DRAWING IS THE SOLE PROPERTY OF  
VIRTUAL POLYMER COMPOUNDS. ANY  
REPRODUCTION IN PART OR AS A WHOLE  
WITHOUT THE WRITTEN PERMISSION OF  
VIRTUAL POLYMER COMPOUNDS IS  
PROHIBITED.

		UNLESS OTHERWISE SPECIFIED:		NAME	DATE
		DIMENSIONS ARE IN INCHES		DRAWN	CD 8/14/2020
		TOLERANCES:		CHECKED	---
		FRACTIONAL ±		ENG APPR.	---
		ANGULAR: MACH ± BEND ±		MFG APPR.	---
		TWO PLACE DECIMAL ±		Q.A.	---
		THREE PLACE DECIMAL ±		COMMENTS:	
		INTERPRET GEOMETRIC TOLERANCING PER:			
		MATERIAL:			
		FINISH:			
NEXT ASSY	USED ON				
APPLICATION		DO NOT SCALE DRAWING			

		Virtual Polymer Compounds VPC Fiberglass vpcfiberglass.com 7065, 717, 9065 E 118, 512, 6190 9477 E. 117th St. Meriden, CT 06455	
TITLE: <b>ENDURO MODEL 429 FIBERGLASS ENCLOSURE</b>			
SIZE	DWG. NO.	REV	
<b>B</b>	M429	-	
SCALE:	WEIGHT:	SHEET 1 OF 3	

8

7

6

5

4

3

2

1

F

E

D

C

B

A

F

E

D

C

B

A

8

7

6

5

4

3

2

1

F

E

D

C

B

A

F

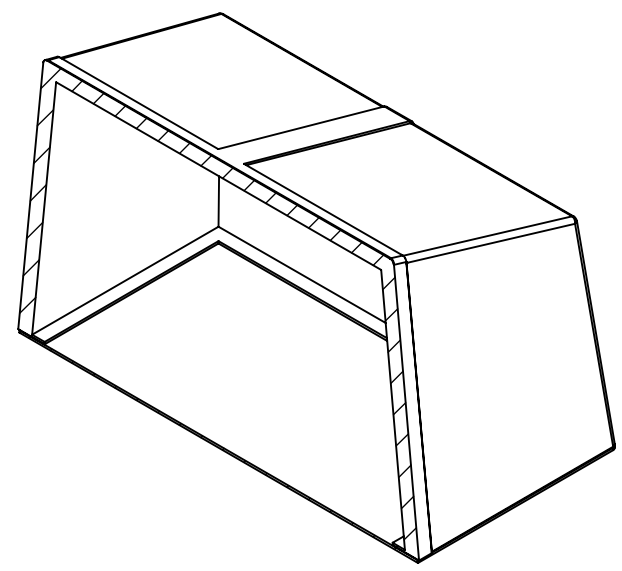
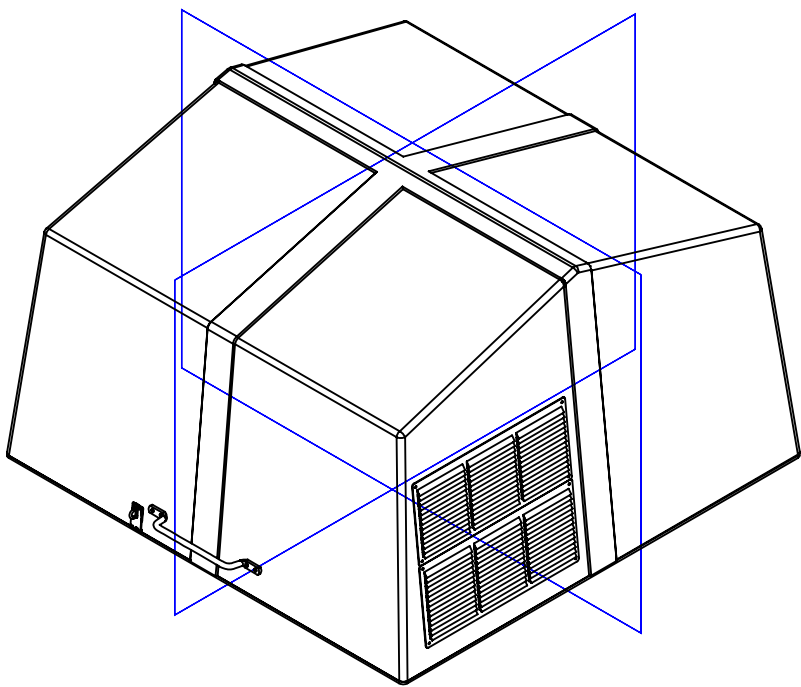
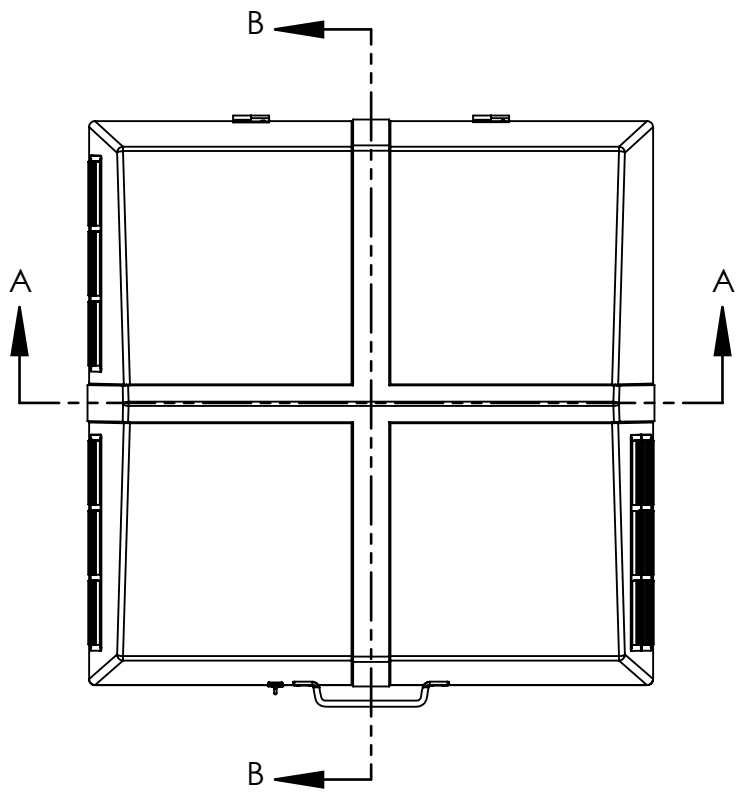
E

D

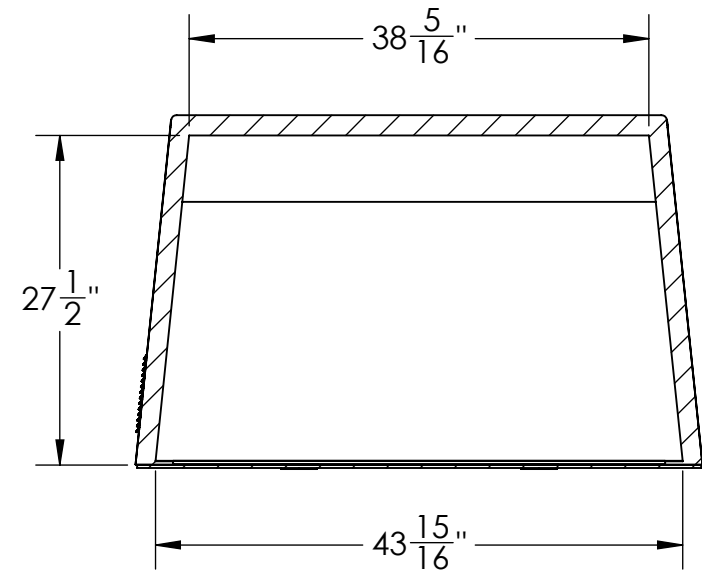
C

B

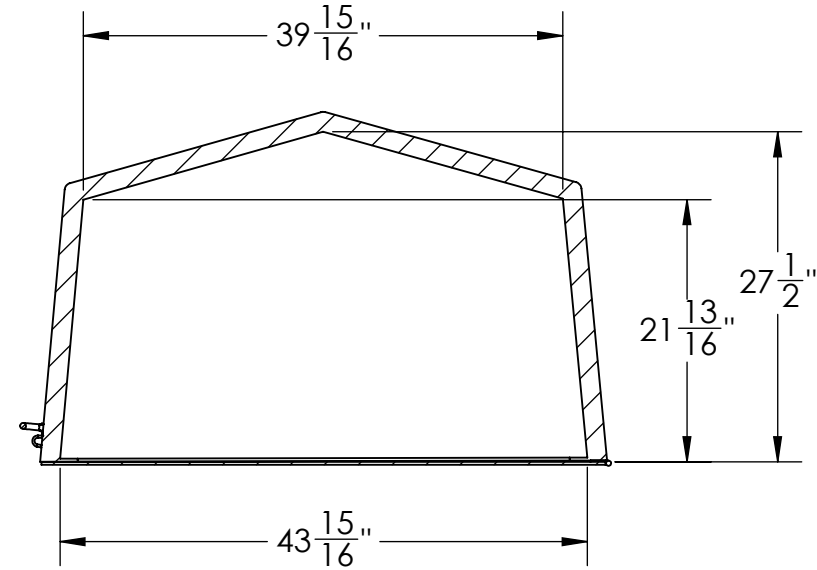
A



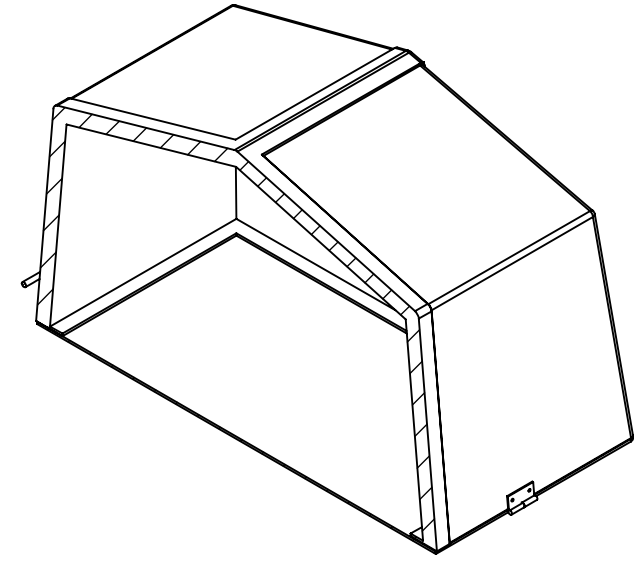
SECTION A-A



SECTION A-A



SECTION B-B



SECTION B-B

**PROPRIETARY AND CONFIDENTIAL**  
 THE INFORMATION CONTAINED IN THIS DRAWING IS THE SOLE PROPERTY OF VIRTUAL POLYMER COMPOUNDS. ANY REPRODUCTION IN PART OR AS A WHOLE WITHOUT THE WRITTEN PERMISSION OF VIRTUAL POLYMER COMPOUNDS IS PROHIBITED.

		UNLESS OTHERWISE SPECIFIED:		NAME	DATE
		DIMENSIONS ARE IN INCHES		DRAWN	CD 8/14/2020
		TOLERANCES:		CHECKED	---
		FRACTIONAL: ±		ENG APPR.	---
		ANGULAR: MACH ± BEND ±		MFG APPR.	---
		TWO PLACE DECIMAL ±		Q.A.	---
		THREE PLACE DECIMAL ±		COMMENTS:	
		INTERPRET GEOMETRIC TOLERANCING PER:			
		MATERIAL:			
		FINISH:			
NEXT ASSY	USED ON				
APPLICATION		DO NOT SCALE DRAWING			

**VPC FIBERGLASS** Virtual Polymer Compounds VPC Fiberglass  
 vpcfiberglass.com | P 865.727.9865 F 218.542.6790  
 2427 E. 17th St. • Mesa, AZ 85205

TITLE:  
**ENDURO MODEL 429 FIBERGLASS ENCLOSURE**

SIZE	DWG. NO.	REV
<b>B</b>	M429	-

SCALE: WEIGHT: SHEET 2 OF 3

8

7

6

5

4

3

2

1

8

7

6

5

4

3

2

1

F

F

E

E

D

D

C

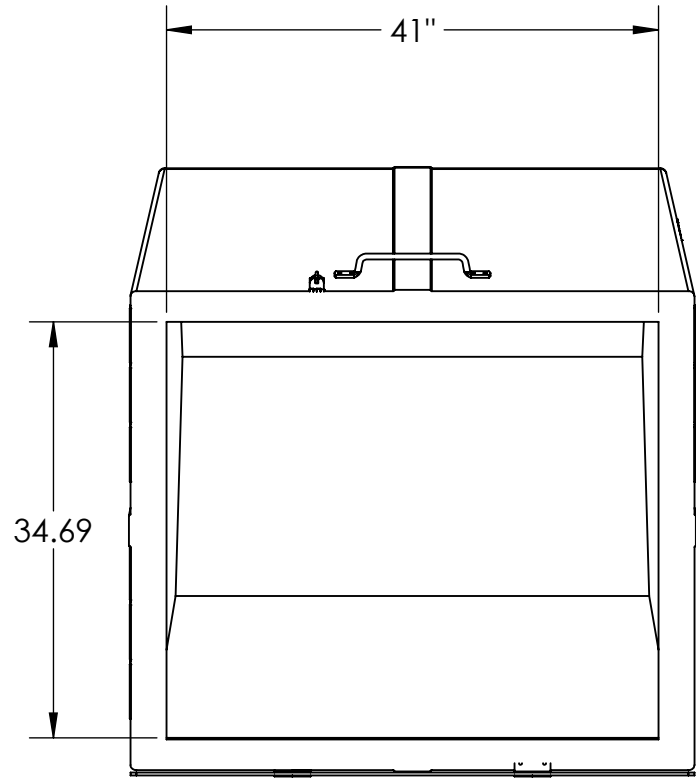
C

B

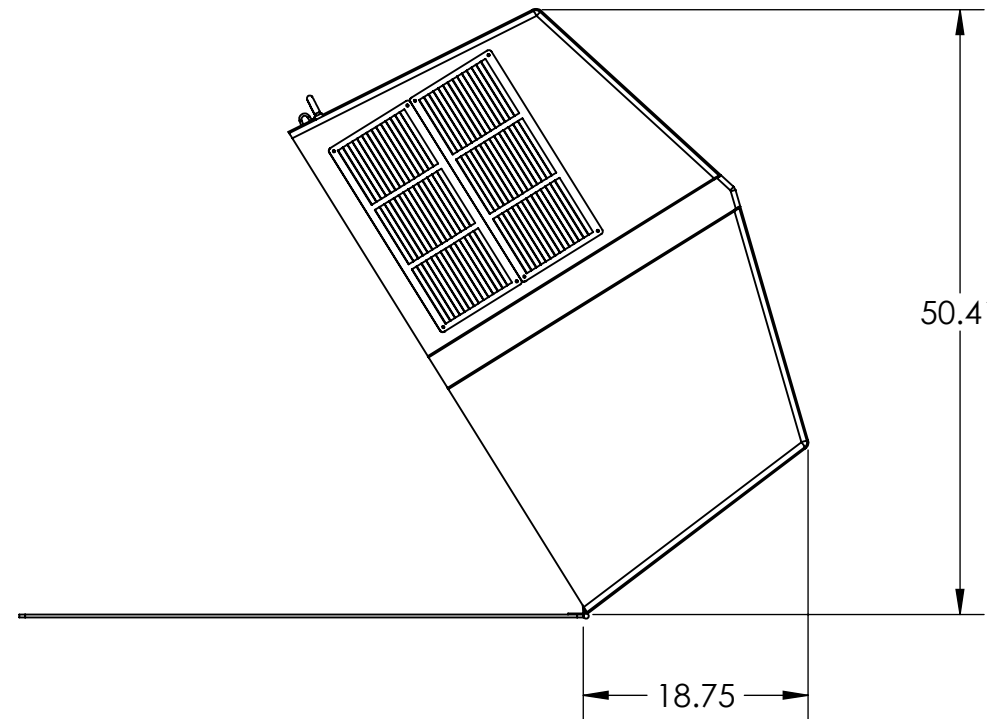
B

A

A



CLEAR OPENING



DOOR SWING

**PROPRIETARY AND CONFIDENTIAL**  
 THE INFORMATION CONTAINED IN THIS DRAWING IS THE SOLE PROPERTY OF VIRTUAL POLYMER COMPOUNDS. ANY REPRODUCTION IN PART OR AS A WHOLE WITHOUT THE WRITTEN PERMISSION OF VIRTUAL POLYMER COMPOUNDS IS PROHIBITED.

		UNLESS OTHERWISE SPECIFIED:		NAME	DATE
		DIMENSIONS ARE IN INCHES	DRAWN	CD	8/14/2020
		TOLERANCES:	CHECKED	---	---
		FRACTIONAL ±	ENG APPR.	---	---
		ANGULAR: MACH ± BEND ±	MFG APPR.	---	---
		TWO PLACE DECIMAL ±	Q.A.	---	---
		THREE PLACE DECIMAL ±	COMMENTS:		
		INTERPRET GEOMETRIC TOLERANCING PER:			
		MATERIAL:			
		FINISH:			
NEXT ASSY	USED ON				
APPLICATION		DO NOT SCALE DRAWING			

**VPC FIBERGLASS** Virtual Polymer Compounds VPC Fiberglass  
 vpcfiberglass.com 1 800 717 9065 F 118.542.6190  
 2427 E. 107th St. - Meriden, CT 06455

TITLE:  
**ENDURO MODEL 429 FIBERGLASS ENCLOSURE**

SIZE	DWG. NO.	REV
<b>B</b>	M429	-

SCALE:      WEIGHT:      SHEET 3 OF 3

8

7

6

5

4

3

2

1