

8

7

6

5

4

3

2

1

F

F

E

E

D

D

C

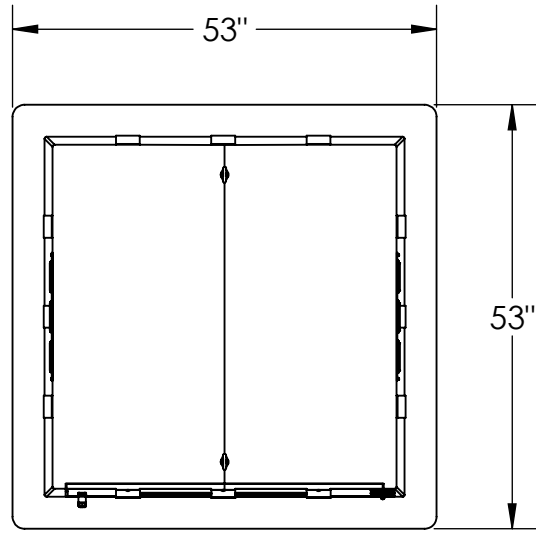
C

B

B

A

A



R7 INSULATION VALUE STANDARD. HIGHER R VALUES AVAILABLE

THREE POINT LATCH WITH KEYED LOCKABLE TURN HANDLE

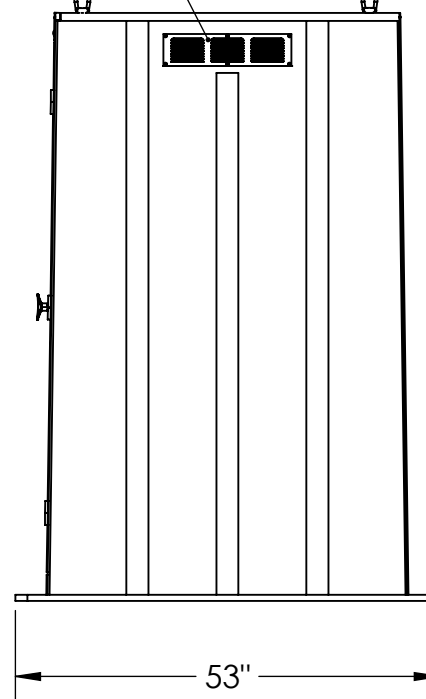
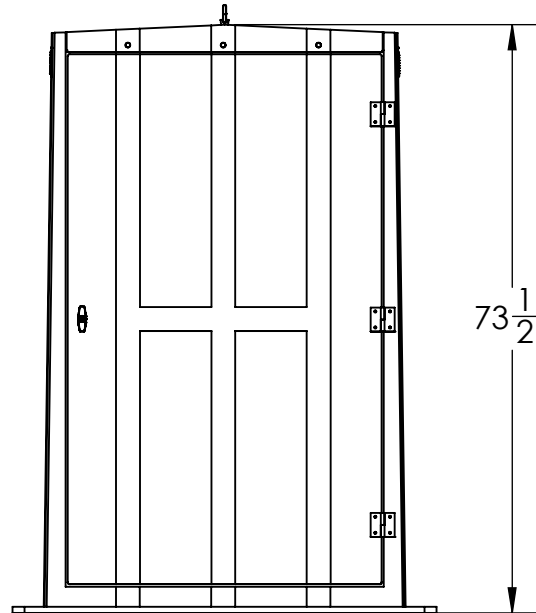
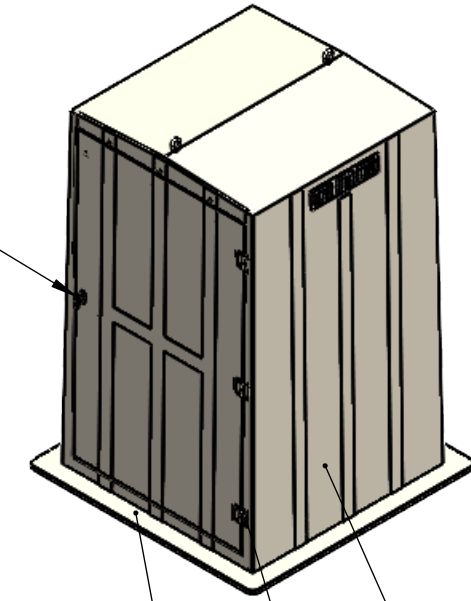
PAIR OF LIFTING EYES STANDARD

SCREENED FIXED LOUVER VENT STANDARD

3IN WIDE EXTERNAL MOUNTING FLANGE

304SS EXTERNAL HARDWARE

20 MIL PLYESTER GELCOAT BEIGE COLOR STANDARD. CUSTOM COLORS AVAILABLE



OPTIONAL FEATURES:

- 3/8" THICK INTEGRAL FIBERGLASS FLOOR
- EQUIPMENT MOUNTING BOARD
- 110V, 60W INCANDESCENT LIGHT WITH WALL SWITCH
- VENTILATION FAN, 60CFM WITH REMOTE THERMOSTAT
- BASEBOARD 500W ELECTRIC HEATER W INTERGRAL THERMOSTAT
- 110/220V LOAD CENTER WITH 100A MAIN AND 4X 20A BREAKERS
- 12"X12" WINDOW IN DOOR

CUSTOM CONFIGURATIONS AVAILABLE!

PROPRIETARY AND CONFIDENTIAL
 THE INFORMATION CONTAINED IN THIS DRAWING IS THE SOLE PROPERTY OF VIRTUAL POLYMER COMPOUNDS. ANY REPRODUCTION IN PART OR AS A WHOLE WITHOUT THE WRITTEN PERMISSION OF VIRTUAL POLYMER COMPOUNDS IS PROHIBITED.

		UNLESS OTHERWISE SPECIFIED:	NAME	DATE
		DIMENSIONS ARE IN INCHES	DRAWN	CD
		TOLERANCES:	CHECKED	---
		FRACTIONAL ±	ENG APPR.	---
		ANGULAR: MACH ± BEND ±	MFG APPR.	---
		TWO PLACE DECIMAL ±	Q.A.	---
		THREE PLACE DECIMAL ±	COMMENTS:	
		INTERPRET GEOMETRIC TOLERANCING PER:		
		MATERIAL:		
		FINISH:		
NEXT ASSY	USED ON			
APPLICATION		DO NOT SCALE DRAWING		

VPC FIBERGLASS
 Virtual Polymer Compounds VPC Fiberglass
 vpcfiberglass.com 1 800 712 9065 P 118.942.6190
 2427 E. 117th St. - Meriden, CT 06450

TITLE:
ENDURO MODEL 200 FIBERGLASS ENCLOSURE

SIZE	DWG. NO.	REV
B	M200	-

SCALE: WEIGHT: SHEET 1 OF 3

8

7

6

5

4

3

2

1

8

7

6

5

4

3

2

1

F

E

D

C

B

A

F

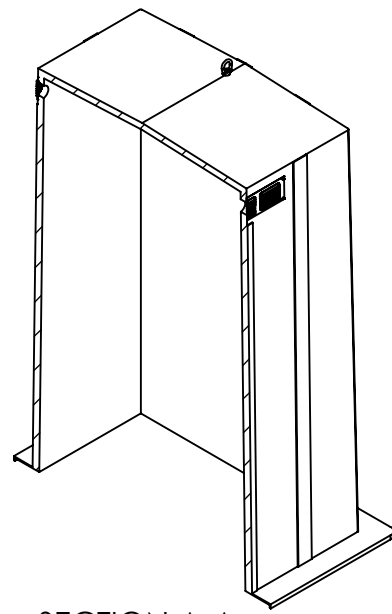
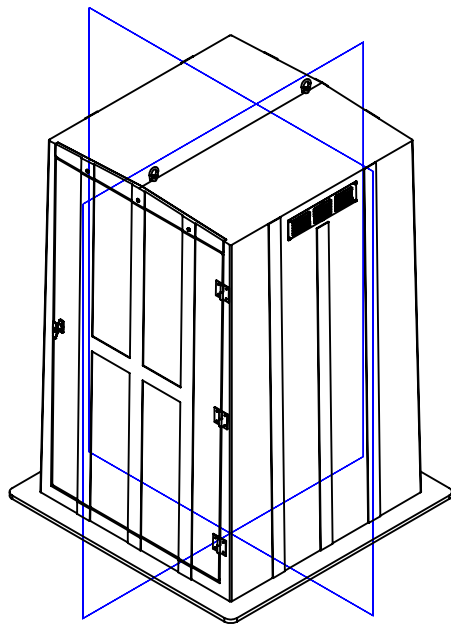
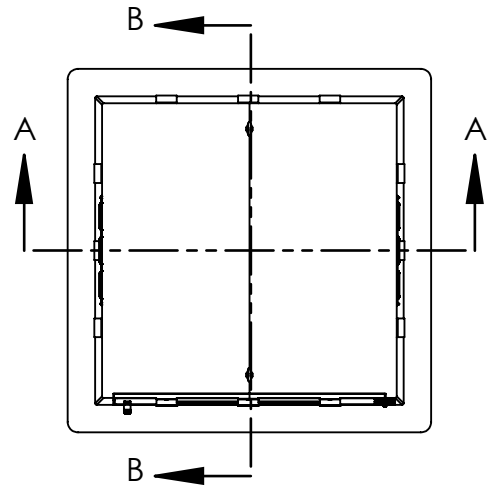
E

D

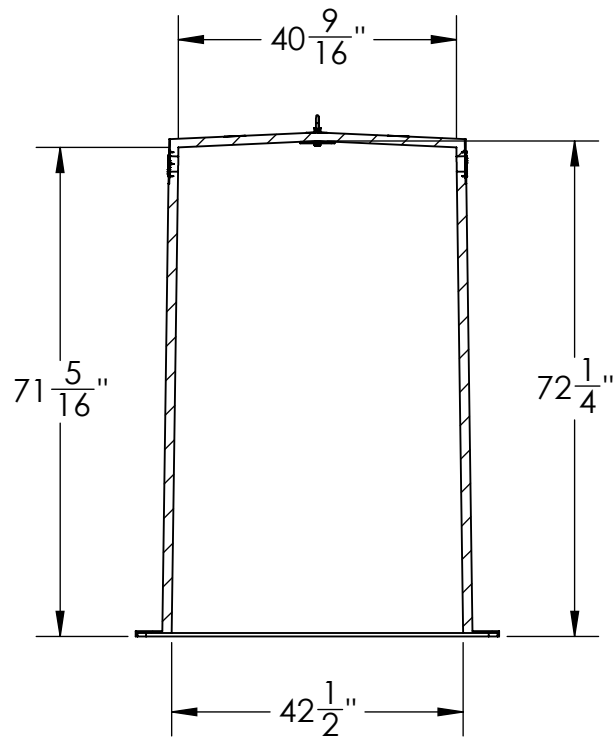
C

B

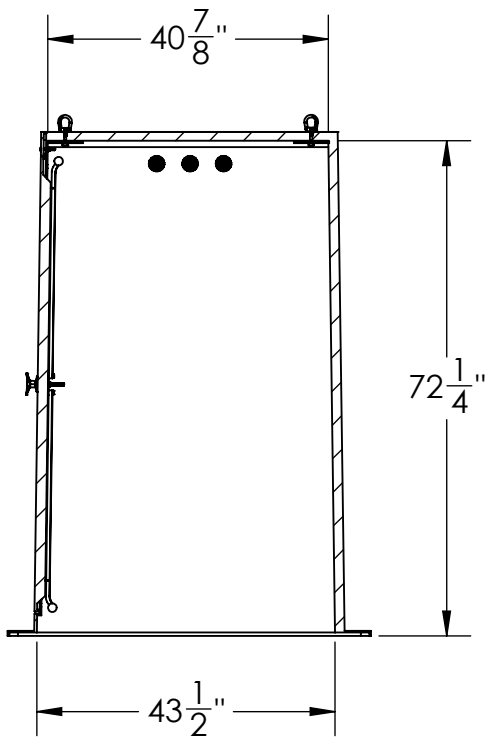
A



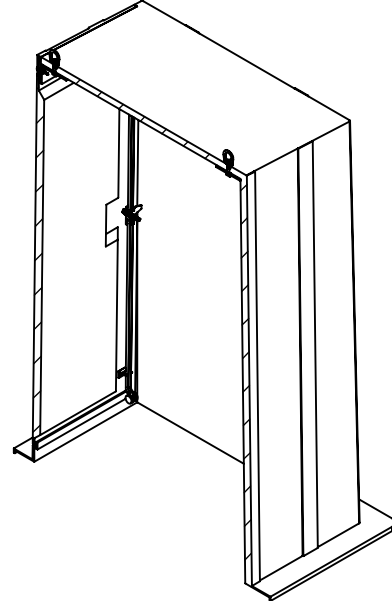
SECTION A-A



SECTION A-A



SECTION B-B



SECTION B-B

PROPRIETARY AND CONFIDENTIAL
 THE INFORMATION CONTAINED IN THIS DRAWING IS THE SOLE PROPERTY OF VIRTUAL POLYMER COMPOUNDS. ANY REPRODUCTION IN PART OR AS A WHOLE WITHOUT THE WRITTEN PERMISSION OF VIRTUAL POLYMER COMPOUNDS IS PROHIBITED.

		UNLESS OTHERWISE SPECIFIED:		NAME	DATE
		DIMENSIONS ARE IN INCHES		DRAWN	CD 8/14/2020
		TOLERANCES:		CHECKED	---
		FRACTIONAL: \pm		ENG APPR.	---
		ANGULAR: MACH \pm BEND \pm		MFG APPR.	---
		TWO PLACE DECIMAL \pm		Q.A.	---
		THREE PLACE DECIMAL \pm		COMMENTS:	
		INTERPRET GEOMETRIC TOLERANCING PER:			
		MATERIAL:			
		FINISH:			
NEXT ASSY	USED ON				
APPLICATION		DO NOT SCALE DRAWING			



TITLE:
ENDURO MODEL 200 FIBERGLASS ENCLOSURE

SIZE	DWG. NO.	REV
B	M200	-
SCALE:	WEIGHT:	SHEET 2 OF 3

8

7

6

5

4

3

2

1

8

7

6

5

4

3

2

1

F

F

E

E

D

D

C

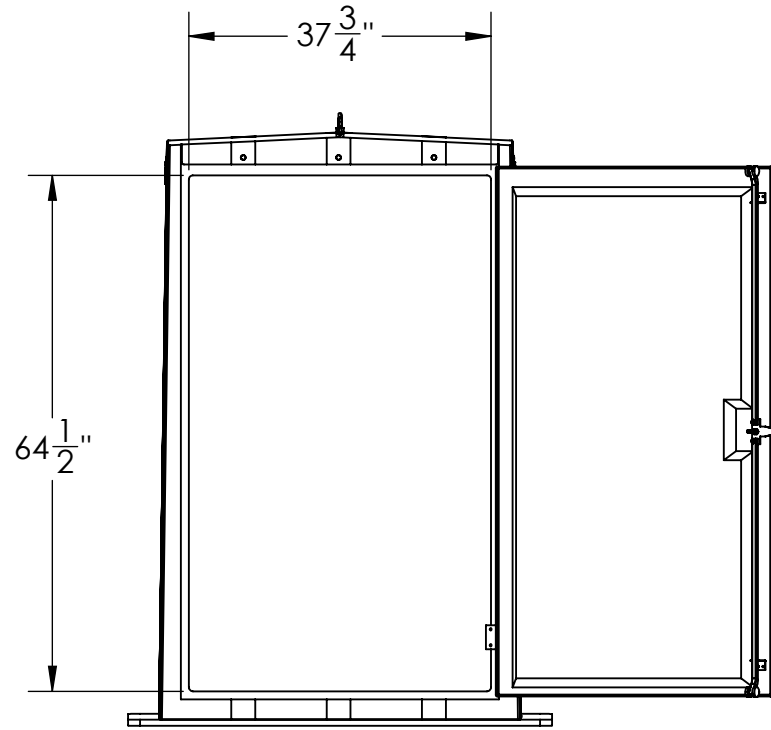
C

B

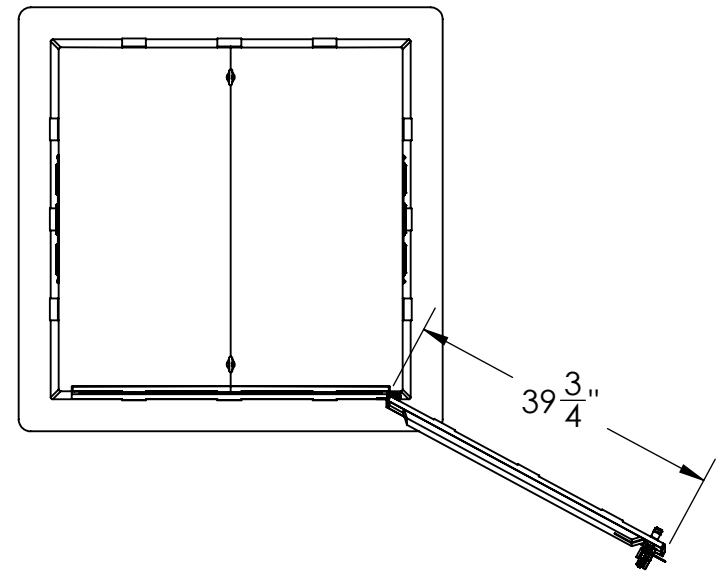
B

A

A



CLEAR OPENING



DOOR SWING

PROPRIETARY AND CONFIDENTIAL
 THE INFORMATION CONTAINED IN THIS DRAWING IS THE SOLE PROPERTY OF VIRTUAL POLYMER COMPOUNDS. ANY REPRODUCTION IN PART OR AS A WHOLE WITHOUT THE WRITTEN PERMISSION OF VIRTUAL POLYMER COMPOUNDS IS PROHIBITED.

		UNLESS OTHERWISE SPECIFIED:	NAME	DATE
		DIMENSIONS ARE IN INCHES	DRAWN	CD 8/14/2020
		TOLERANCES:	CHECKED	---
		FRACTIONAL ±	ENG APPR.	---
		ANGULAR: MACH ± BEND ±	MFG APPR.	---
		TWO PLACE DECIMAL ±	Q.A.	---
		THREE PLACE DECIMAL ±	COMMENTS:	
NEXT ASSY	USED ON	INTERPRET GEOMETRIC TOLERANCING PER:		
		MATERIAL:		
		FINISH:		
APPLICATION		DO NOT SCALE DRAWING		



TITLE:
ENSURO MODEL 200 FIBERGLASS ENCLOSURE

SIZE	DWG. NO.	REV
B	M200	-
SCALE:	WEIGHT:	SHEET 3 OF 3

8

7

6

5

4

3

2

1