

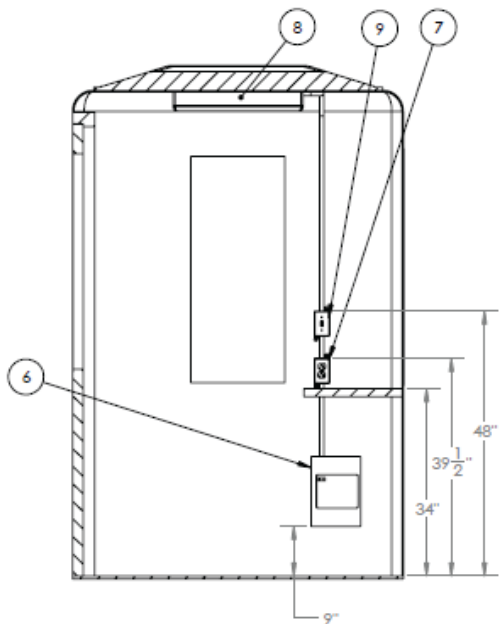
EcoTech Booths

Fiberglass offers greater durability than metal, wood, or concrete in a lightweight structure. It is attractive, non-corrosive, non-reactive, non-conductive, RF-transparent and low maintenance. It is resistant to UV rays, extreme cold or heat, exhaust and soot, road and ocean salt, acid rain and chemicals.



For economy that lasts, an EcoTech booth is the answer! The EcoTech booth is 3' x 5' and comes with a standard attractive off-white finish. The shelter comes with 1 sliding window and 2 fixed windows, a swing-open door, interior shelf, light fixture with switch, 20 amp outlet, 30 amp 2-breaker load center and slip resistant floor. Heating can be factory installed upon request.

The EcoTech shelter provides an affordable, pleasant, dry and comfortable space. Perfect for parking lots, temporary ticketing facilities, or any application where people must work in the open.



vpcfiberglass.com
585.735.9668
info@vpcfiberglass.com

ADMINISTRATIVE OFFICES
2410 North Forest Road, Suite 301
Getzville, NY 14068

LOCKPORT MANUFACTURING
75 Michigan Street, Suite 2
Lockport, NY 14094

MEDINA MANUFACTURING
10478 Ridge Road
Medina, NY 14103

VPC
FIBERGLASS