

8

7

6

5

4

3

2

1

F

E

D

C

B

A

F

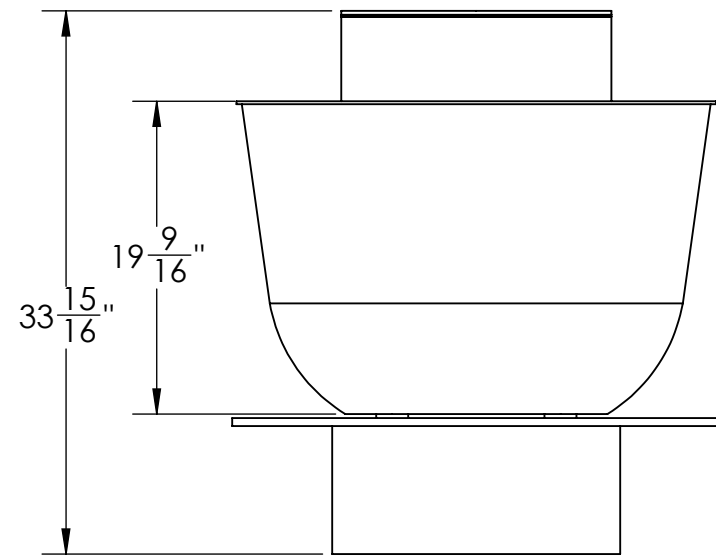
E

D

C

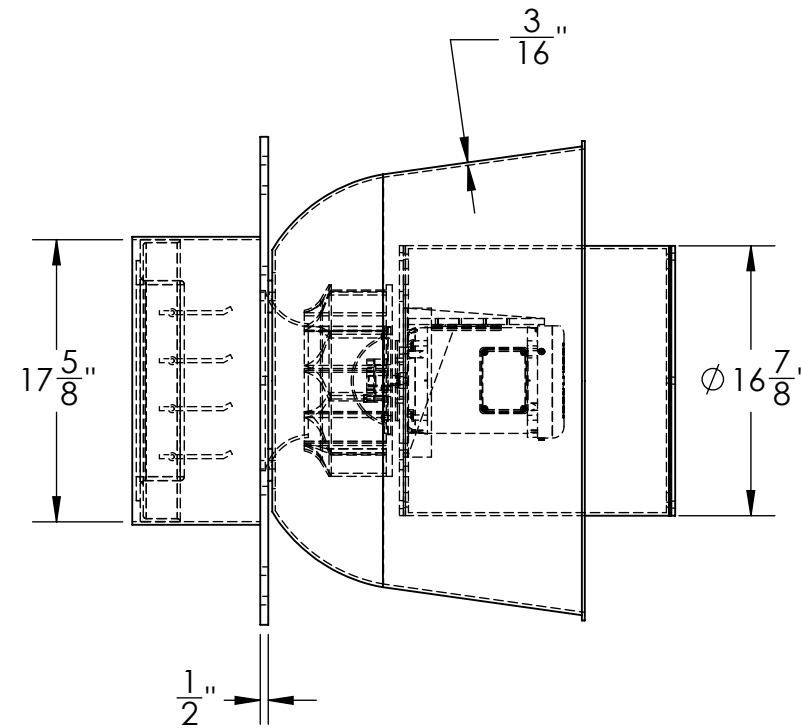
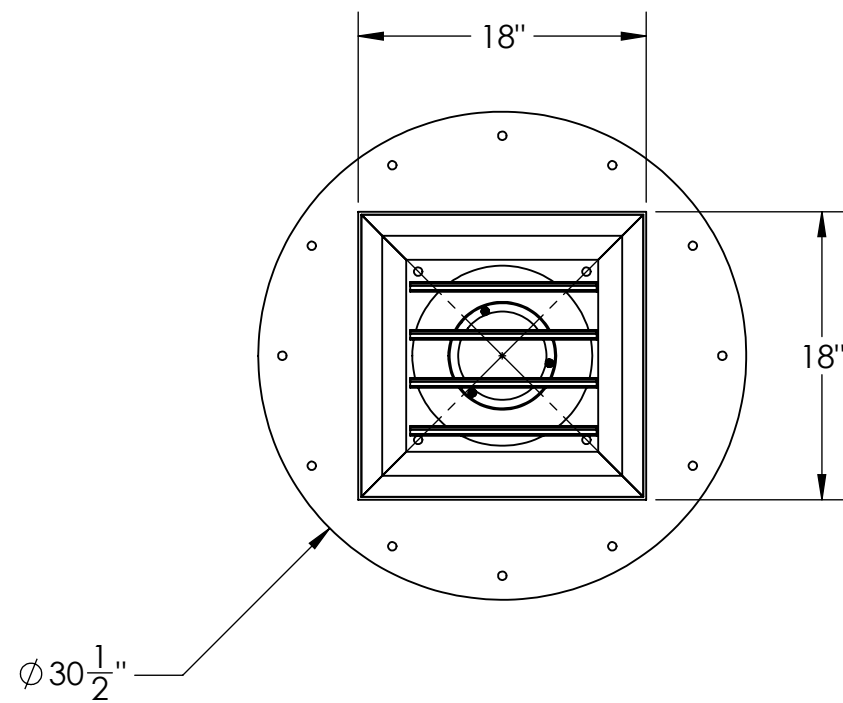
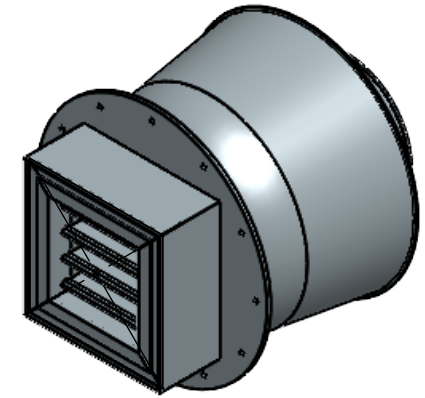
B

A



NOTE:

- VINYL ESTER RESIN CONSTRUCTION
- C-VEIL ON AIRSTREAM
- UV INHIBITOR ON EXTERIOR
- STD GRAY EXTERIOR
- DIRECT DRIVE
- 316SS HARDWARE
- INLET DAMPER



PROPRIETARY AND CONFIDENTIAL
 THE INFORMATION CONTAINED IN THIS DRAWING IS THE SOLE PROPERTY OF VIRTUAL POLYMER COMPOUNDS. ANY REPRODUCTION IN PART OR AS A WHOLE WITHOUT THE WRITTEN PERMISSION OF VIRTUAL POLYMER COMPOUNDS IS PROHIBITED.

		UNLESS OTHERWISE SPECIFIED:		NAME	DATE
		DIMENSIONS ARE IN INCHES		DRAWN	CD
		TOLERANCES:		CHECKED	---
		FRACTIONAL: ±		ENG APPR.	---
		ANGULAR: MACH ± BEND ±		MFG APPR.	---
		TWO PLACE DECIMAL ±		Q.A.	---
		THREE PLACE DECIMAL ±		COMMENTS:	
		INTERPRET GEOMETRIC TOLERANCING PER:			
		MATERIAL:			
		FINISH:			
NEXT ASSY	USED ON				
APPLICATION		DO NOT SCALE DRAWING			

CFT COMPOSITE FAN TECHNOLOGY

TITLE:
12 CVC GENERAL ASSEMBLY

SIZE	DWG. NO.	REV
B		-

SCALE: WEIGHT: SHEET 1 OF 2

8

7

6

5

4

3

2

1

8

7

6

5

4

3

2

1

F

F

E

E

D

D

C

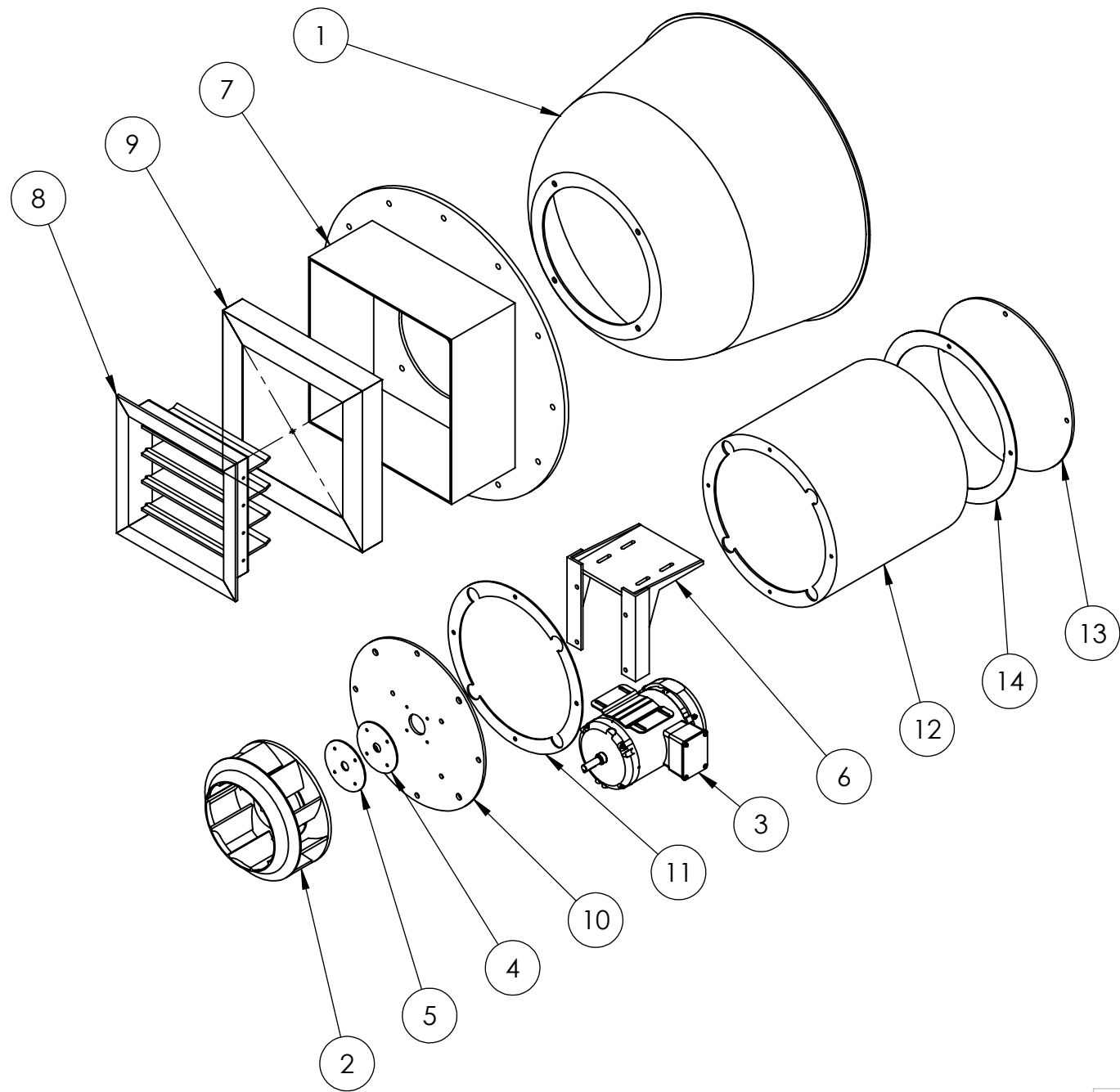
C

B

B

A

A



ITEM NO.	DESCRIPTION
1	HOUSING
2	WHEEL
3	MOTOR
4	SHAFT SEAL
5	SHAFT SEAL PLATE
6	MOTOR BASE
7	INLET WALL MOUNT
8	INLET DAMPER
9	DAMPER BRACKET
10	LOWER MOTOR PLATE
11	LOWER MOTOR PLATE GASKET
12	MOTOR COVER
13	UPPER MOTOR PLATE
14	UPPER MOTOR PLATE

PROPRIETARY AND CONFIDENTIAL
 THE INFORMATION CONTAINED IN THIS DRAWING IS THE SOLE PROPERTY OF VIRTUAL POLYMER COMPOUNDS. ANY REPRODUCTION IN PART OR AS A WHOLE WITHOUT THE WRITTEN PERMISSION OF VIRTUAL POLYMER COMPOUNDS IS PROHIBITED.

		UNLESS OTHERWISE SPECIFIED:	NAME	DATE
		DIMENSIONS ARE IN INCHES	DRAWN	CD
		TOLERANCES:	CHECKED	---
		FRACTIONAL: ±	ENG APPR.	---
		ANGULAR: MACH ± BEND ±	MFG APPR.	---
		TWO PLACE DECIMAL ±	Q.A.	---
		THREE PLACE DECIMAL ±	COMMENTS:	
		INTERPRET GEOMETRIC TOLERANCING PER:		
		MATERIAL:		
		FINISH:		
NEXT ASSY	USED ON			
APPLICATION		DO NOT SCALE DRAWING		

CFT COMPOSITE FAN TECHNOLOGY

TITLE:
12 CVC GENERAL ASSEMBLY

SIZE	DWG. NO.	REV
B		-

SCALE: WEIGHT: SHEET 2 OF 2

8

7

6

5

4

3

2

1