

8

7

6

5

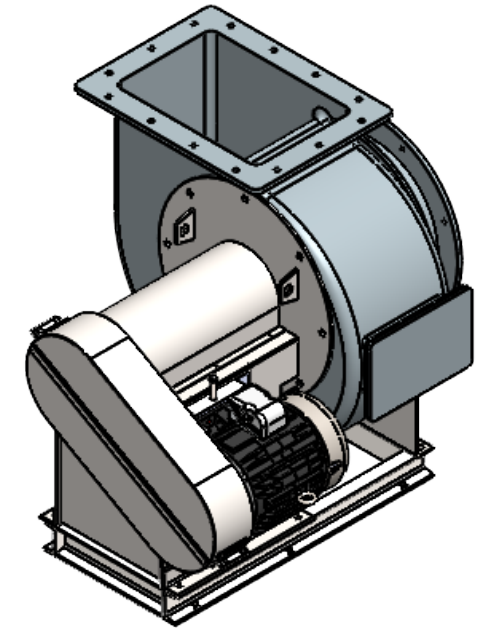
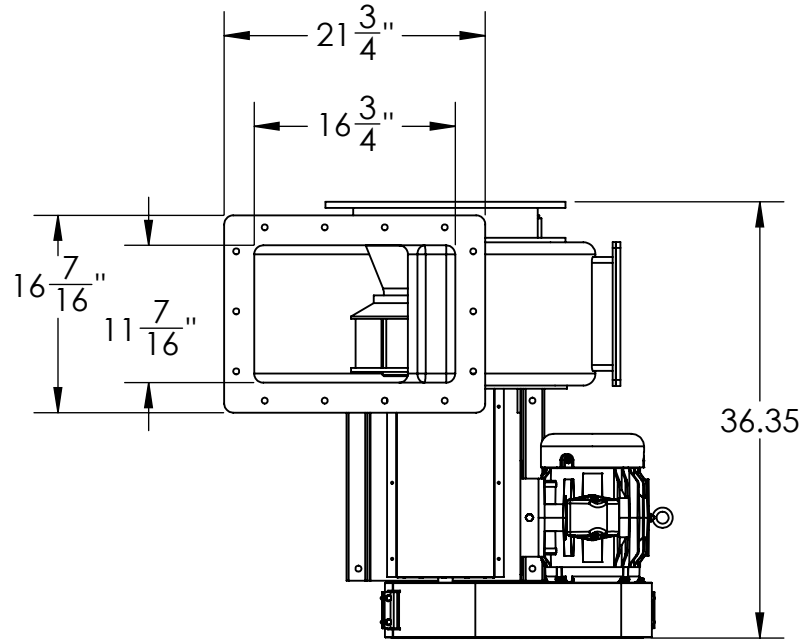
4

3

2

1

F



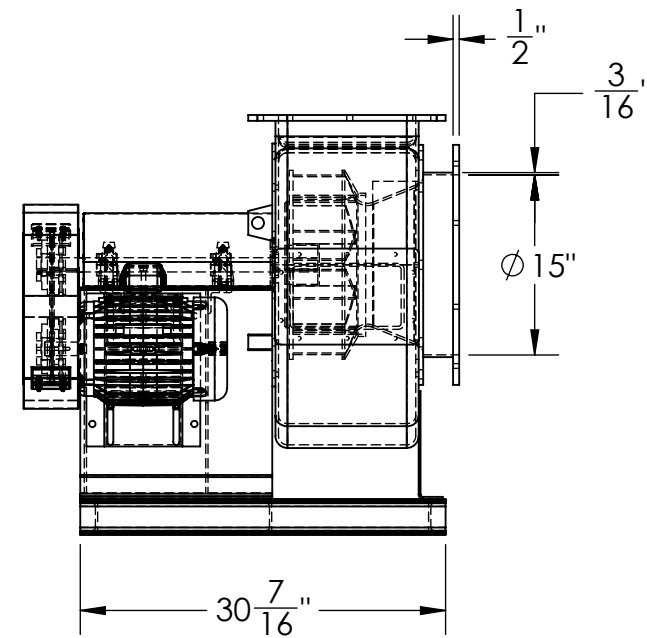
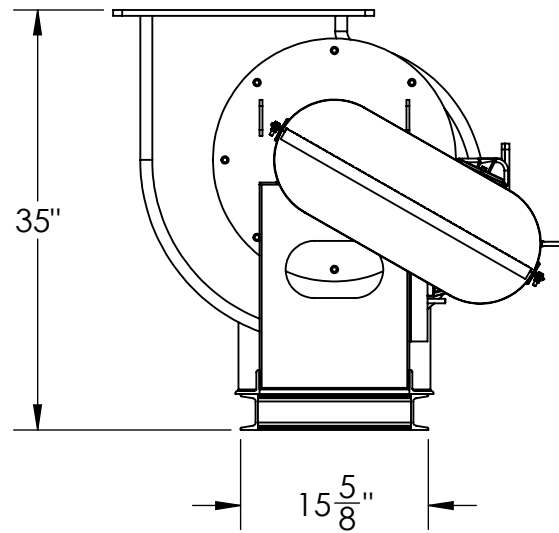
E

D

C

B

A



PROPRIETARY AND CONFIDENTIAL
 THE INFORMATION CONTAINED IN THIS DRAWING IS THE SOLE PROPERTY OF VIRTUAL POLYMER COMPOUNDS. ANY REPRODUCTION IN PART OR AS A WHOLE WITHOUT THE WRITTEN PERMISSION OF VIRTUAL POLYMER COMPOUNDS IS PROHIBITED.

		UNLESS OTHERWISE SPECIFIED:	NAME	DATE
		DIMENSIONS ARE IN INCHES	DRAWN	CD
		TOLERANCES:	CHECKED	---
		FRACTIONAL ±	ENG APPR.	---
		ANGULAR: MACH ± BEND ±	MFG APPR.	---
		TWO PLACE DECIMAL ±	Q.A.	---
		THREE PLACE DECIMAL ±	COMMENTS:	
NEXT ASSY	USED ON	INTERPRET GEOMETRIC TOLERANCING PER:		
		MATERIAL:		
		FINISH:		
APPLICATION		DO NOT SCALE DRAWING		

CFT COMPOSITE FAN TECHNOLOGY

TITLE:
15 BIC GENERAL ASSEMBLY DRAWING

SIZE	DWG. NO.	REV
B		-
SCALE:	WEIGHT:	SHEET 1 OF 2

8

7

6

5

4

3

2

1

F

E

D

C

B

A

8

7

6

5

4

3

2

1

F

F

E

E

D

D

C

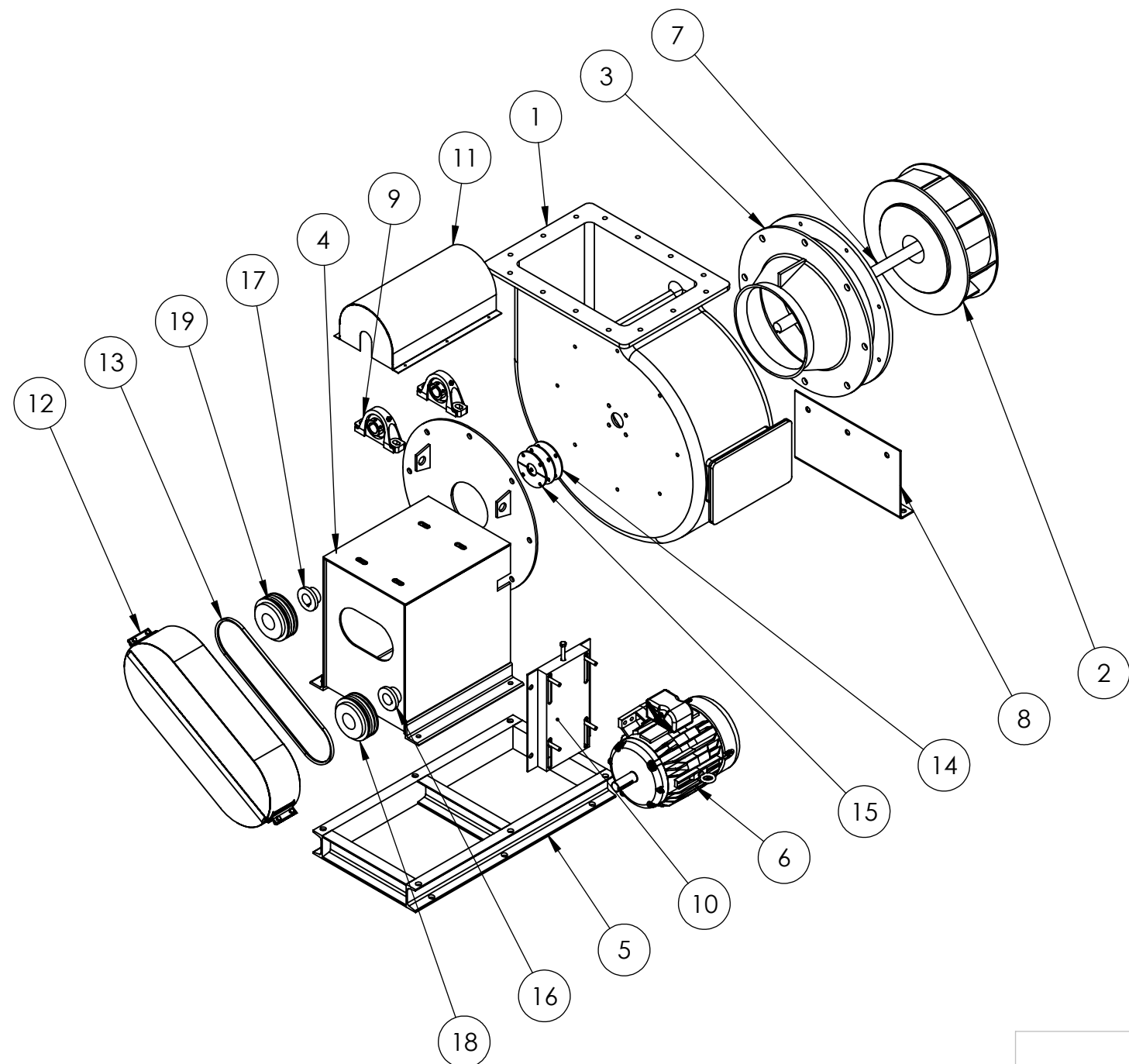
C

B

B

A

A



ITEM NO.	DESCRIPTION
1	BIC HOUSING
2	WHEEL
3	INLET BELL
4	BEARING BASE
5	CHANNEL BASE
6	MOTOR
7	SHAFT
8	INLET STAND
9	BEARING
10	MOTOR PLATE
11	SHAFT GUARD
12	BELT GUARD
13	BELT
14	SHAFT SEAL
15	SHAFT SEAL PLATE
16	MOTOR QD BUSHING
17	DRIVE QD BUSHING
18	MOTOR SHEAVE
19	DRIVE SHEAVE

PROPRIETARY AND CONFIDENTIAL
 THE INFORMATION CONTAINED IN THIS DRAWING IS THE SOLE PROPERTY OF VIRTUAL POLYMER COMPOUNDS. ANY REPRODUCTION IN PART OR AS A WHOLE WITHOUT THE WRITTEN PERMISSION OF VIRTUAL POLYMER COMPOUNDS IS PROHIBITED.

		UNLESS OTHERWISE SPECIFIED:		NAME	DATE	CFT COMPOSITE FAN TECHNOLOGY
		DIMENSIONS ARE IN INCHES TOLERANCES: FRACTIONAL: ± ANGULAR: MACH ± BEND ± TWO PLACE DECIMAL ± THREE PLACE DECIMAL ±		DRAWN	CD 2/24/2021	
		INTERPRET GEOMETRIC TOLERANCING PER:		CHECKED	---	SIZE DWG. NO. REV B -
		MATERIAL: -		ENG APPR.	---	
		FINISH: -		MFG APPR.	---	SCALE: WEIGHT: SHEET 2 OF 2
NEXT ASSY	USED ON			Q.A.	---	
APPLICATION		DO NOT SCALE DRAWING		COMMENTS:		