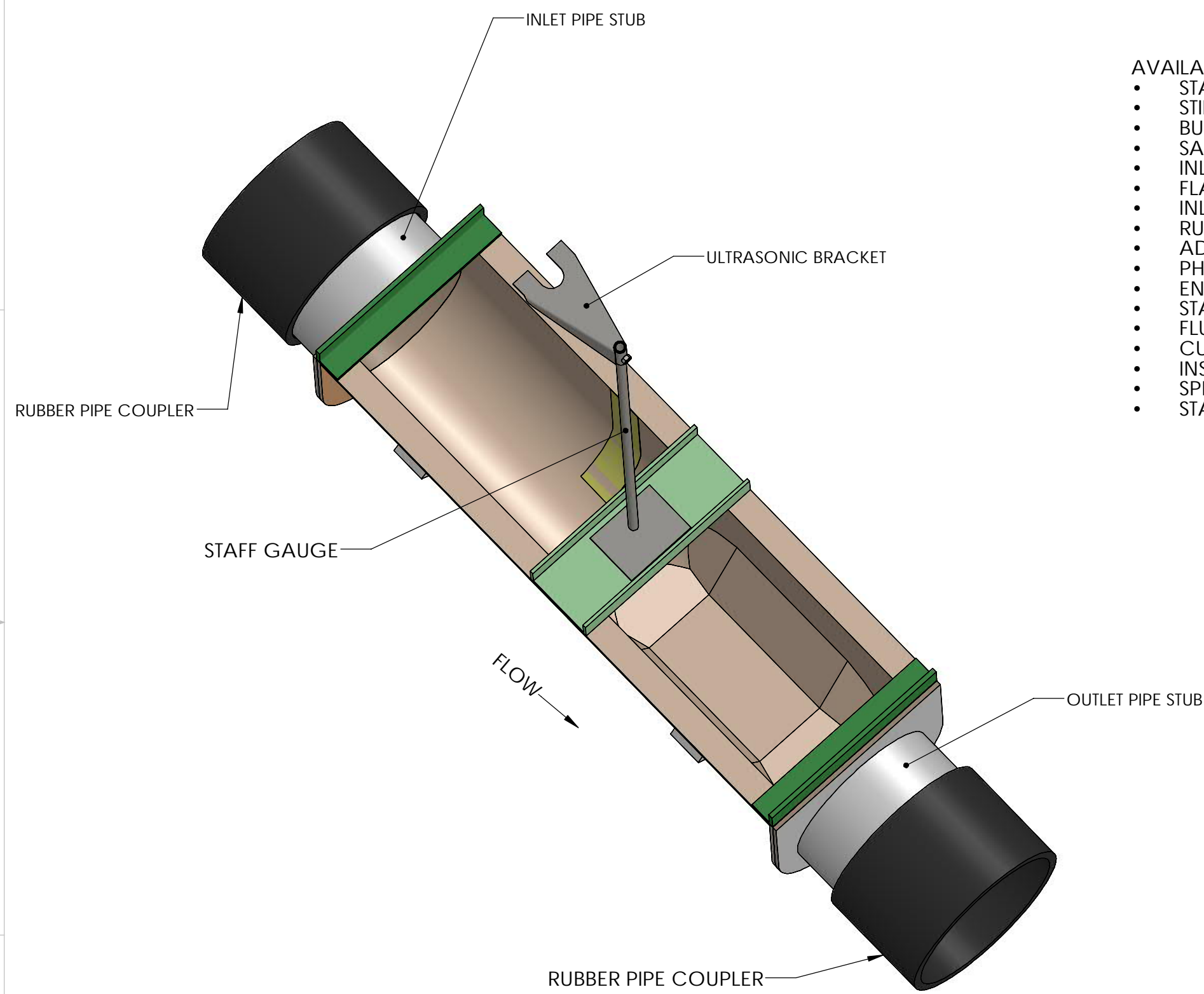



8 7 6 5 4 3 2 1

D  
C  
B  
A

D  
C  
B  
A



- AVAILABLE OPTIONS:
- STAFF GAUGE (ENGLISH OR METRIC).
  - STILLING WELL (INTEGRAL OR REMOTE).
  - BUBBLER TUBE (SS 1/4" ID, INTEGRAL OR REMOVABLE).
  - SAMPLER TUBE (SS 3/8" ID, INTEGRAL OR REMOVABLE).
  - INLET AND OUTLET PIPE STUBS.
  - FLARED INLET AND OUTLET TRANSITIONS PIPE STUBS.
  - INLET AND OUTLET BULKHEADS.
  - RUBBER PIPE COUPLERS W/ SS CLAMP BANDS.
  - ADJUSTABLE SS ULTRASONIC BRACKET.
  - PH PROBE CAVITY.
  - ENERGY ABSORBING RACKS. (FIXED OR REMOVABLE).
  - STANDARD OR SPECIAL DEPTHS (INCLUDING SURGE BOXES).
  - FLUME COVERS (GRATING, FIBER SHEETING, CLEAR POLYCARBONATE).
  - CUT BACK DESIGN.
  - INSERT DESIGN.
  - SPECIAL DESIGN (TO MEET SPECIAL PROJECT NEEDS).
  - STANDARD COLOR IS BEIGE (CUSTOM COLORS AVAILABLE).

UNLESS OTHERWISE SPECIFIED:		NAME	DATE	 <b>VPC</b> FIBERGLASS 10478 Ridge Rd., Medina NY 14103 Toll Free: 888-290-9522 Phone: 585-735-9668	
DIMENSIONS ARE IN INCHES TOLERANCES: FRACTIONAL ± ANGULAR: MACH ± BEND ± TWO PLACE DECIMAL ± THREE PLACE DECIMAL ±		DRAWN	LVR		9/17/2020
INTERPRET GEOMETRIC TOLERANCING PER:		CHECKED			TITLE: 8 IN PALMER BOWLUS FLUME
MATERIAL POLYESTER RESIN FINISH		ENG APPR.			Project: WITH OPTIONS
DO NOT SCALE DRAWING		MFG APPR.			SIZE DWG. NO. REV <b>B</b> A
3rd ANGLE PROJECTION		Q.A.			SCALE: 1:6 Weight 23.87 SHEET 1 OF 5

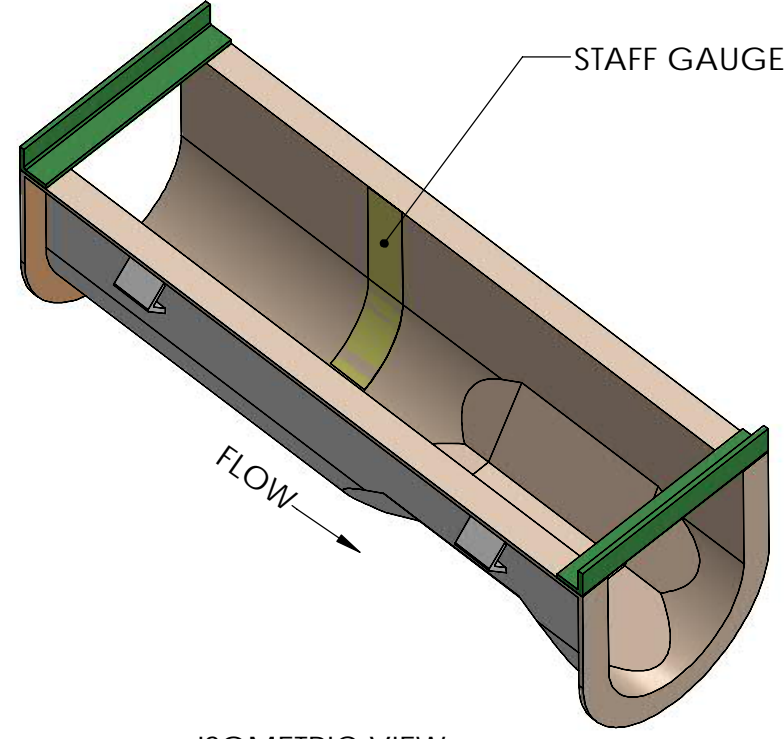
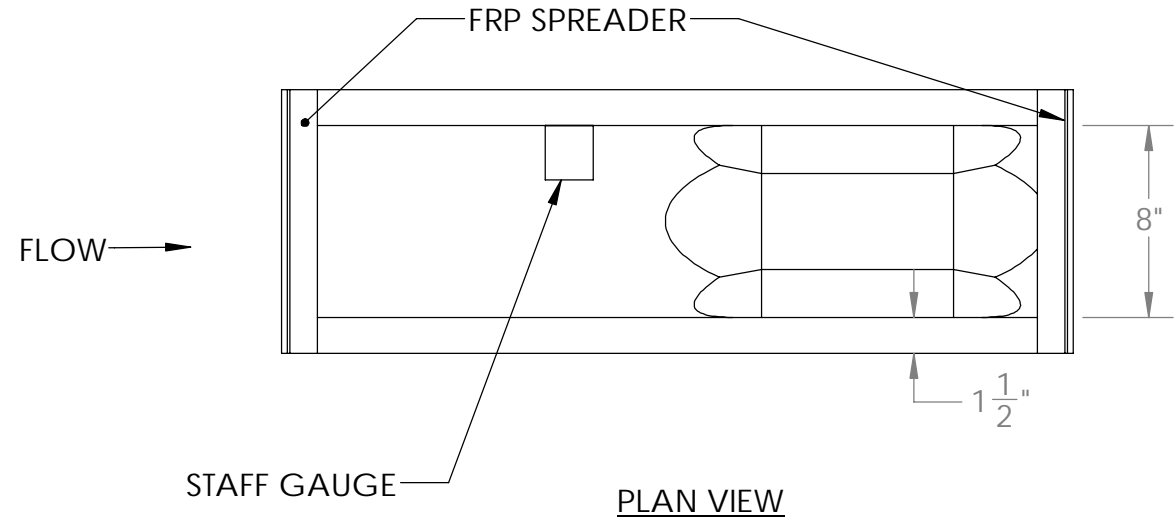
PROPRIETARY AND CONFIDENTIAL  
 THE INFORMATION CONTAINED IN THIS DRAWING IS THE SOLE PROPERTY OF VIRTUAL POLYMER COMPOUNDS, LLC. ANY REPRODUCTION IN PART OR AS A WHOLE WITHOUT THE WRITTEN PERMISSION OF VIRTUAL POLYMER COMPOUNDS, LLC IS PROHIBITED.

8 7 6 5 4 3 2 1

8 7 6 5 4 3 2 1

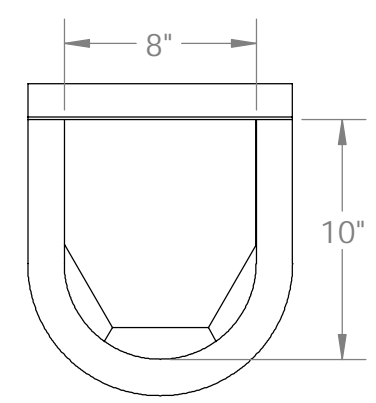
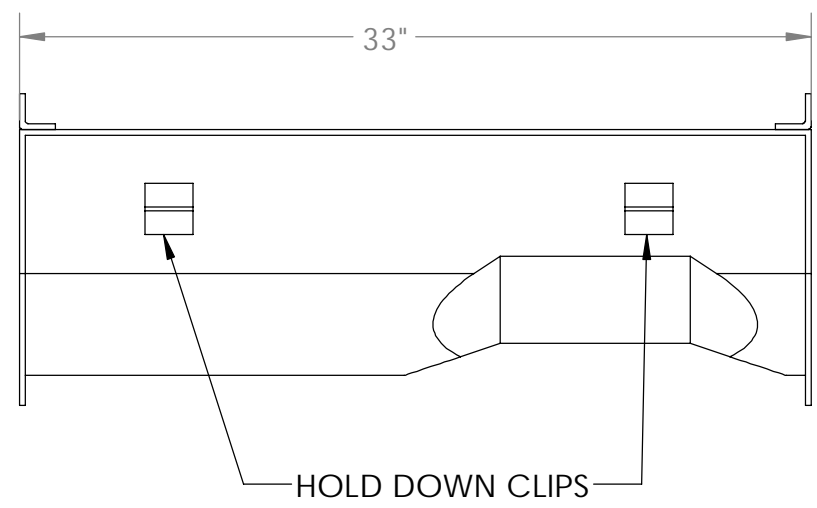
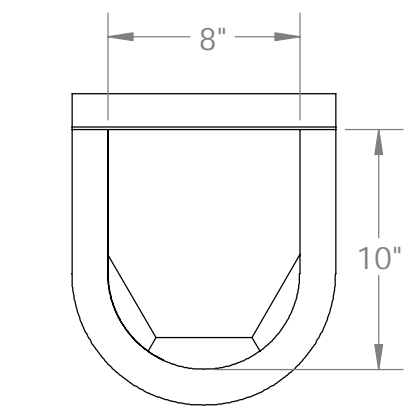
D

D



C

C



B

B

- NOTES:
- 1) INTERIOR GEL COAT COLOR TO BE BEIGE.
  - 2) EXTERIOR GEL COAT COLOR TO BE WHITE.
  - 3) NOMINAL MATERIAL THICKNESS = 1/4".

A

A

PROPRIETARY AND CONFIDENTIAL  
THE INFORMATION CONTAINED IN THIS DRAWING IS THE SOLE PROPERTY OF VIRTUAL POLYMER COMPOUNDS, LLC. ANY REPRODUCTION IN PART OR AS A WHOLE WITHOUT THE WRITTEN PERMISSION OF VIRTUAL POLYMER COMPOUNDS, LLC IS PROHIBITED.

UNLESS OTHERWISE SPECIFIED:  
DIMENSIONS ARE IN INCHES  
TOLERANCES:  
FRACTIONAL ±  
ANGULAR: MACH ± BEND ±  
TWO PLACE DECIMAL ±  
THREE PLACE DECIMAL ±

INTERPRET GEOMETRIC TOLERANCING PER:  
MATERIAL POLYESTER RESIN  
FINISH

DO NOT SCALE DRAWING

	NAME	DATE
DRAWN	LVR	9/17/2020
CHECKED		
ENG APPR.		
MFG APPR.		
Q.A.		

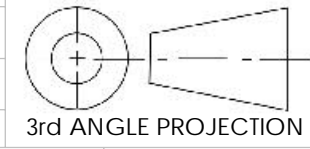
**VPC FIBERGLASS** 10478 Ridge Rd., Medina NY 14103  
Toll Free: 888-290-9522  
Phone: 585-735-9668

TITLE: 8 IN PALMER BOWLUS FLUME

Project: WITHOUT OPTIONS

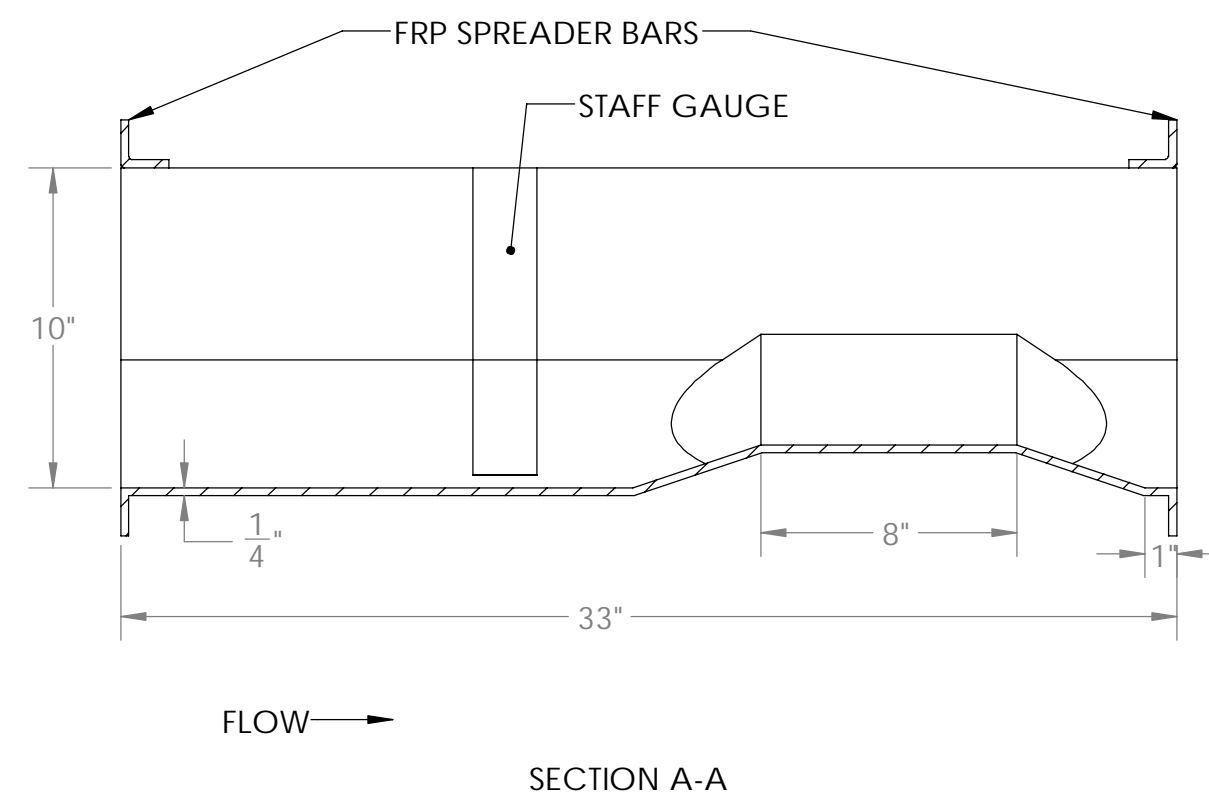
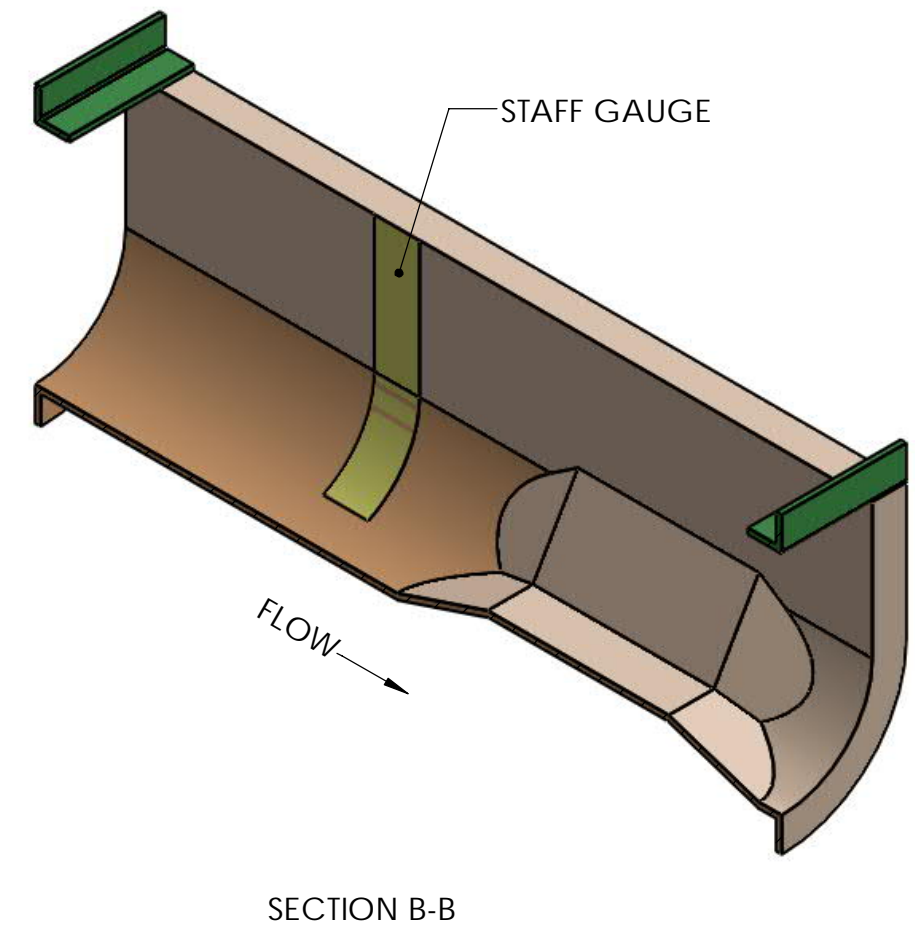
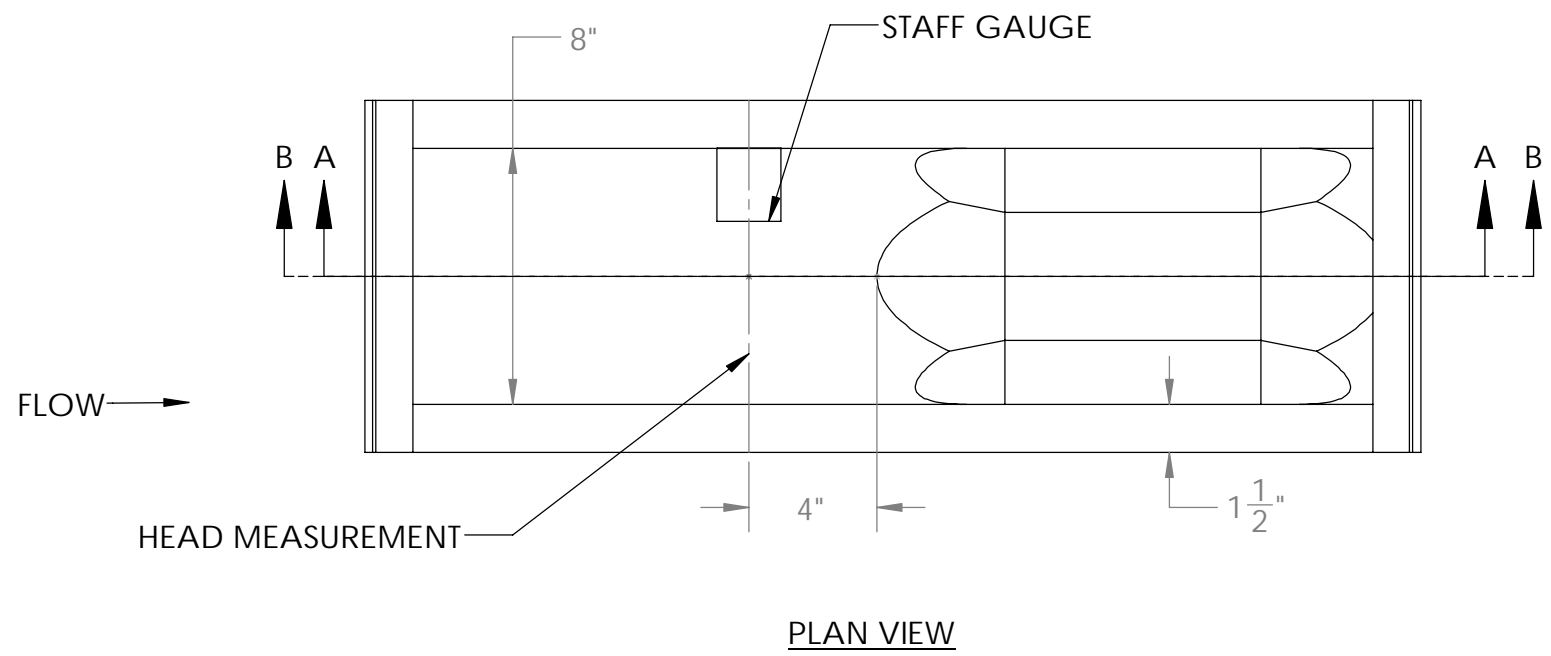
SIZE B	DWG. NO.	REV A
--------	----------	-------

SCALE: 1:8 Weight 9.36 SHEET 2 OF 5



8 7 6 5 4 3 2 1

8 7 6 5 4 3 2 1



PROPRIETARY AND CONFIDENTIAL  
 THE INFORMATION CONTAINED IN THIS DRAWING IS THE SOLE PROPERTY OF Virtual Polymer Compounds, LLC. ANY REPRODUCTION IN PART OR AS A WHOLE WITHOUT THE WRITTEN PERMISSION OF Virtual Polymer Compounds, LLC IS PROHIBITED.

UNLESS OTHERWISE SPECIFIED:  
 DIMENSIONS ARE IN INCHES  
 TOLERANCES:  
 FRACTIONAL ±  
 ANGULAR: MACH ± BEND ±  
 TWO PLACE DECIMAL ±  
 THREE PLACE DECIMAL ±

INTERPRET GEOMETRIC TOLERANCING PER:  
 MATERIAL POLYESTER RESIN  
 FINISH

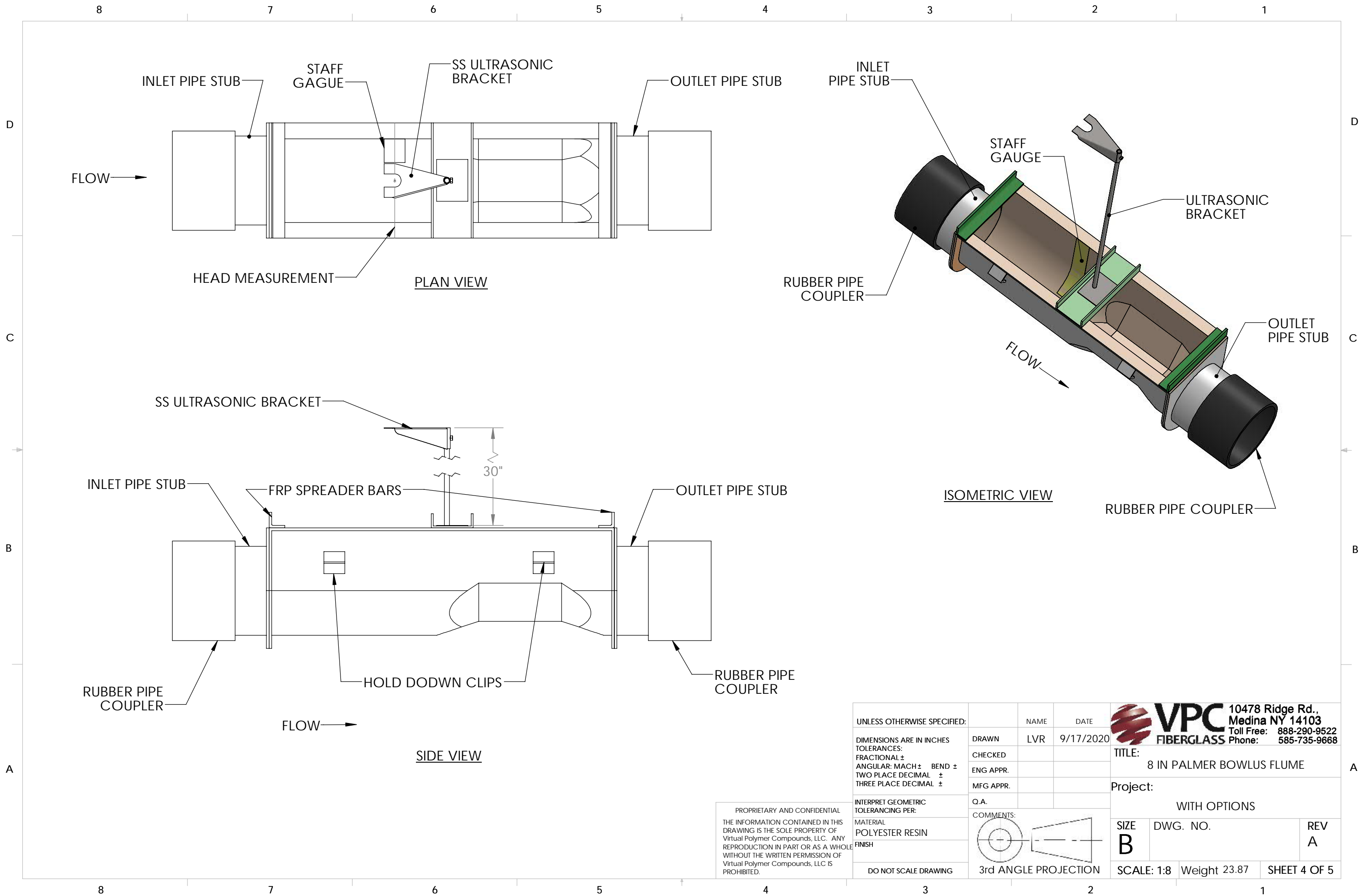
DO NOT SCALE DRAWING


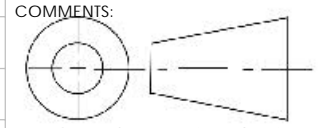
NAME	DATE
DRAWN LVR	9/17/2020
CHECKED	
ENG APPR.	
MFG APPR.	
Q.A.	
COMMENTS:	

**VPC** 10478 Ridge Rd., Medina NY 14103  
 FIBERGLASS Toll Free: 888-290-9522 Phone: 585-735-9668

TITLE: 8 IN PALMER BOWLUS FLUME		
Project: WITHOUT OPTIONS		
SIZE <b>B</b>	DWG. NO.	REV A
SCALE: 1:6	Weight 9.36	SHEET 3 OF 5

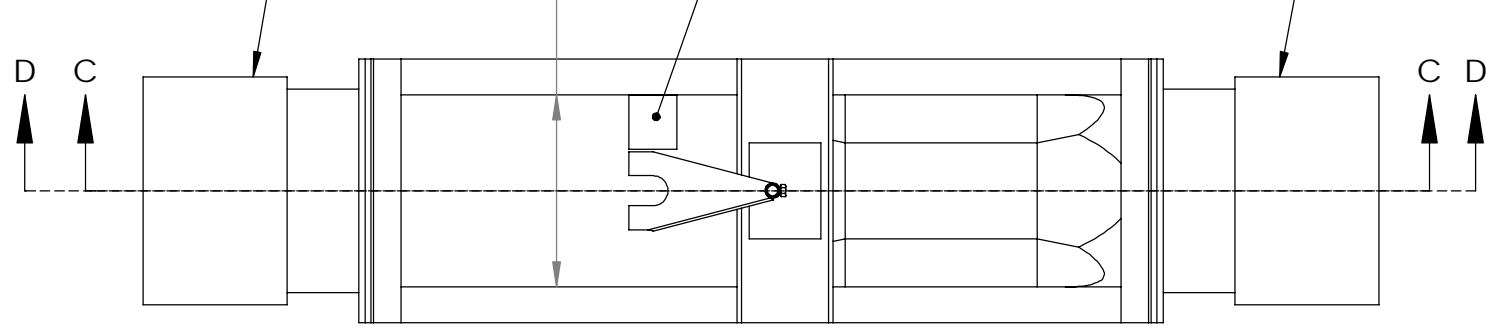
8 7 6 5 4 3 2 1



UNLESS OTHERWISE SPECIFIED:		NAME	DATE	 <b>VPC</b> 10478 Ridge Rd., Medina NY 14103 Toll Free: 888-290-9522 Phone: 585-735-9668
DIMENSIONS ARE IN INCHES TOLERANCES: FRACTIONAL ± ANGULAR: MACH ±    BEND ± TWO PLACE DECIMAL ± THREE PLACE DECIMAL ±		DRAWN	LVR 9/17/2020	
INTERPRET GEOMETRIC TOLERANCING PER:		CHECKED		TITLE: 8 IN PALMER BOWLUS FLUME
MATERIAL POLYESTER RESIN FINISH		ENG APPR.		Project: WITH OPTIONS
DO NOT SCALE DRAWING		MFG APPR.		SIZE <b>B</b>
PROPRIETARY AND CONFIDENTIAL THE INFORMATION CONTAINED IN THIS DRAWING IS THE SOLE PROPERTY OF Virtual Polymer Compounds, LLC. ANY REPRODUCTION IN PART OR AS A WHOLE WITHOUT THE WRITTEN PERMISSION OF Virtual Polymer Compounds, LLC IS PROHIBITED.		Q.A.		DWG. NO.
		COMMENTS:		REV A
		 3rd ANGLE PROJECTION		SCALE: 1:8
				Weight 23.87
				SHEET 4 OF 5

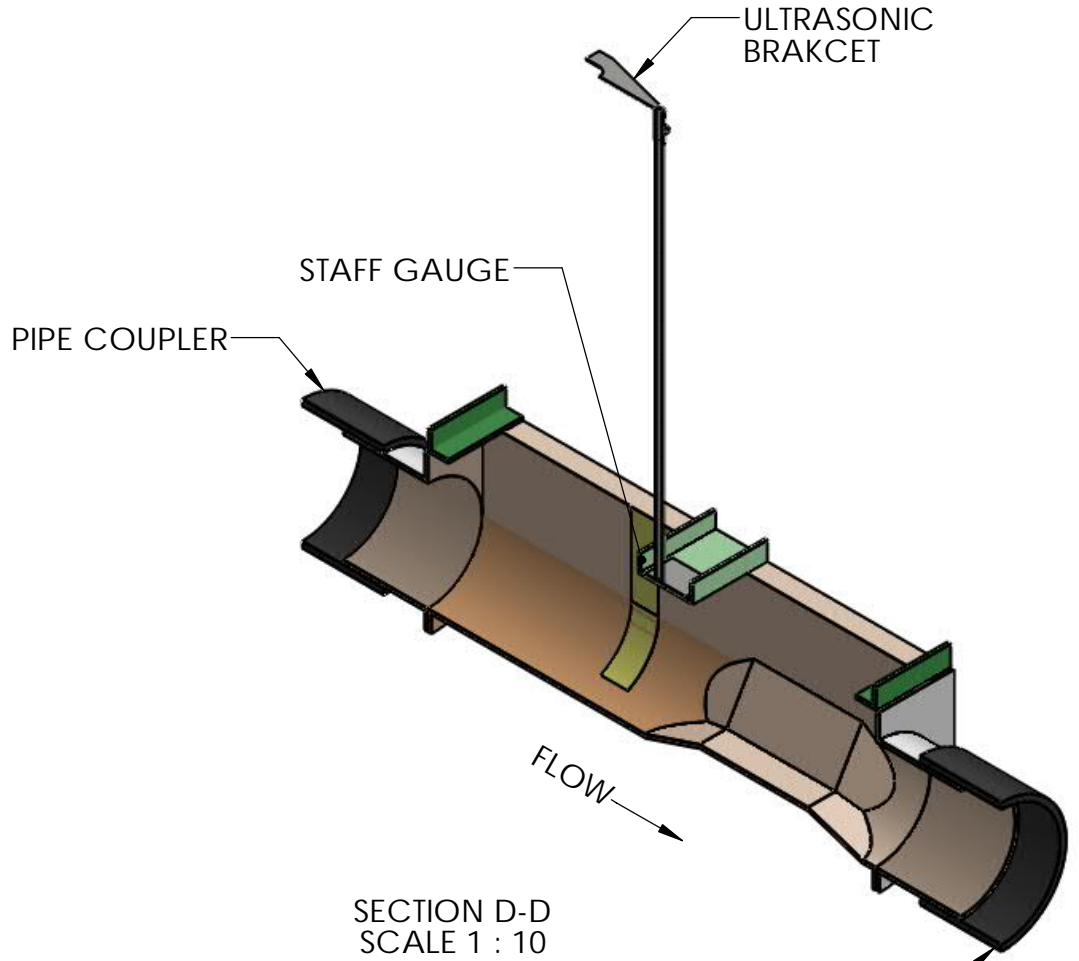
8 7 6 5 4 3 2 1

RUBBER PIPE COUPLER 8" STAFF GAUGE RUBBER PIPE COUPLER



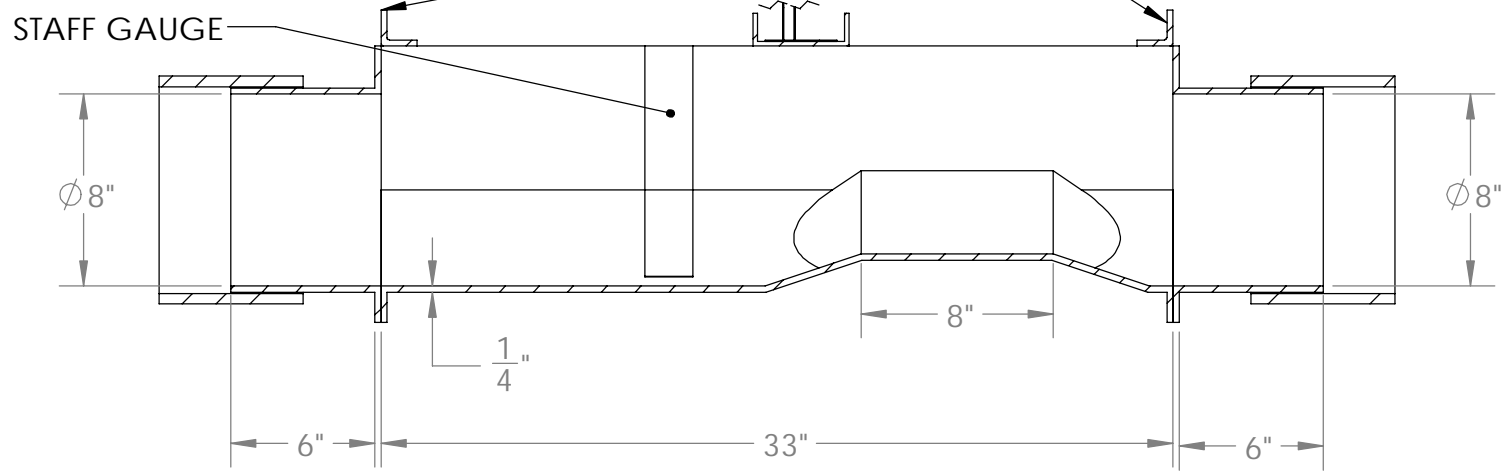
FLOW →

PLAN VIEW




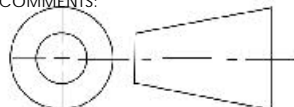
SECTION D-D  
SCALE 1 : 10

ULTRASONIC BRACKET FRP SPREADER BARS



FLOW →

SECTION C-C

UNLESS OTHERWISE SPECIFIED:		NAME	DATE	 <b>VPC</b> 10478 Ridge Rd., Medina NY 14103 Toll Free: 888-290-9522 Phone: 585-735-9668
DIMENSIONS ARE IN INCHES TOLERANCES: FRACTIONAL ± ANGULAR: MACH ± BEND ± TWO PLACE DECIMAL ± THREE PLACE DECIMAL ±		DRAWN	LVR 9/17/2020	
INTERPRET GEOMETRIC TOLERANCING PER:		CHECKED		TITLE: 8 IN PALMER BOWLUS FLUME
MATERIAL POLYESTER RESIN FINISH		ENG APPR.		Project: WITH OPTIONS
DO NOT SCALE DRAWING		MFG APPR.		SIZE <b>B</b>
PROPRIETARY AND CONFIDENTIAL THE INFORMATION CONTAINED IN THIS DRAWING IS THE SOLE PROPERTY OF Virtual Polymer Compounds, LLC. ANY REPRODUCTION IN PART OR AS A WHOLE WITHOUT THE WRITTEN PERMISSION OF Virtual Polymer Compounds, LLC IS PROHIBITED.		Q.A.		DWG. NO.
 3rd ANGLE PROJECTION		COMMENTS:		REV A
				SCALE: 1:8 Weight 23.87 SHEET 5 OF 5

8 7 6 5 4 3 2 1