

ULTRASONIC BRACKET

**AVAILABLE OPTIONS:**

- STAFF GAUGE (ENGLISH OR METRIC).
- STILLING WELL (INTEGRAL OR REMOTE).
- BUBBLER TUBE (SS 1/4" ID, INTEGRAL OR REMOVABLE).
- SAMPLER TUBE (SS 3/8" ID, INTEGRAL OR REMOVABLE).
- INLET AND OUTLET END ADAPTERS.
- PIPE STUBS.
- RUBBER PIPE COUPLERS W/ SS CLAMP BANDS.
- ADJUSTABLE SS ULTRASONIC BRACKET.
- PH PROBE CAVITY.
- WING WALLS AND BULK HEADS.
- ENERGY ABSORBING RACKS. (FIXED OR REMOVABLE).
- STANDARD OR SPECIAL DEPTHS (INCLUDING SURGE BOXES).
- FLUME COVERS (GRATING, FIBER SHEETING, CLEAR POLYCARBONATE).
- MONTANA CUT DESIGN.
- SPECIAL DESIGN (TO MEET SPECIAL PROJECT NEEDS).
- STANDARD COLOR IS BEIGE (CUSTOM COLORS AVAILABLE).

D

D

C

C

B


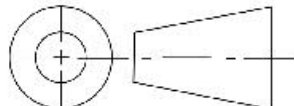
B

A

A

FLOW →

PROPRIETARY AND CONFIDENTIAL  
 THE INFORMATION CONTAINED IN THIS DRAWING IS THE SOLE PROPERTY OF VIRTUAL POLYMER COMPOUNDS, LLC. ANY REPRODUCTION IN PART OR AS A WHOLE WITHOUT THE WRITTEN PERMISSION OF VIRTUAL POLYMER COMPOUNDS, LLC IS PROHIBITED.

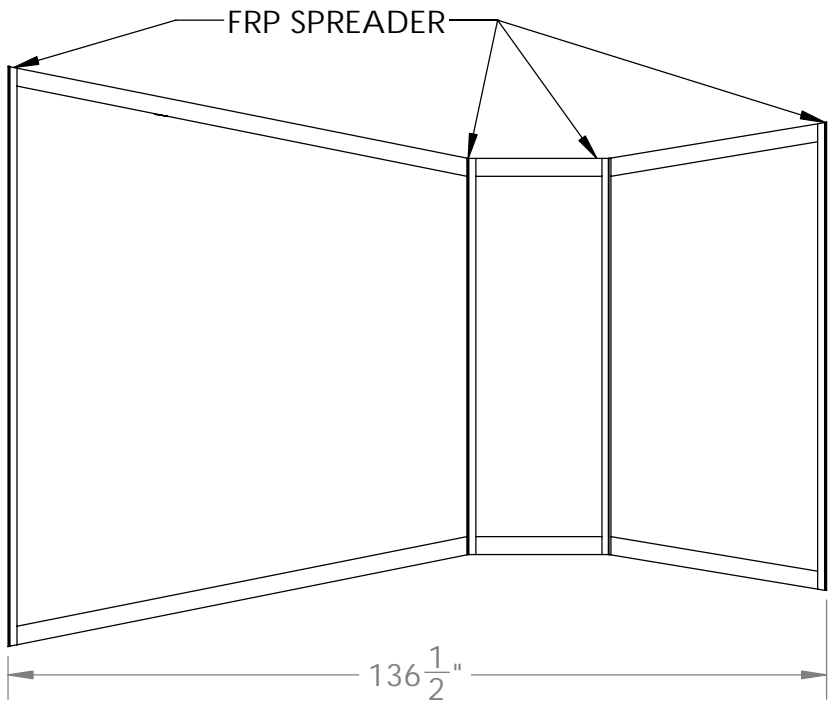
UNLESS OTHERWISE SPECIFIED:  DIMENSIONS ARE IN INCHES TOLERANCES: FRACTIONAL ± ANGULAR: MACH ± BEND ± TWO PLACE DECIMAL ± THREE PLACE DECIMAL ±	NAME	DATE	 10478 Ridge Rd., Medina NY 14103 Toll Free: 888-290-9522 Phone: 585-735-9668	
	DRAWN	LVR		8/6/2020
	CHECKED			
	ENG APPR.			
INTERPRET GEOMETRIC TOLERANCING PER:	Q.A.		TITLE: 60 INCH PARSHALL FLUME	
MATERIAL POLYESTER RESIN FINISH	3rd ANGLE PROJECTION		Project: WITH OPTIONS	
DO NOT SCALE DRAWING	 3rd ANGLE PROJECTION		SIZE DWG. NO. REV <b>B</b>	
	SCALE: 1:20 Weight 269.24 SHEET 1 OF 5			

8 7 6 5 4 3 2 1

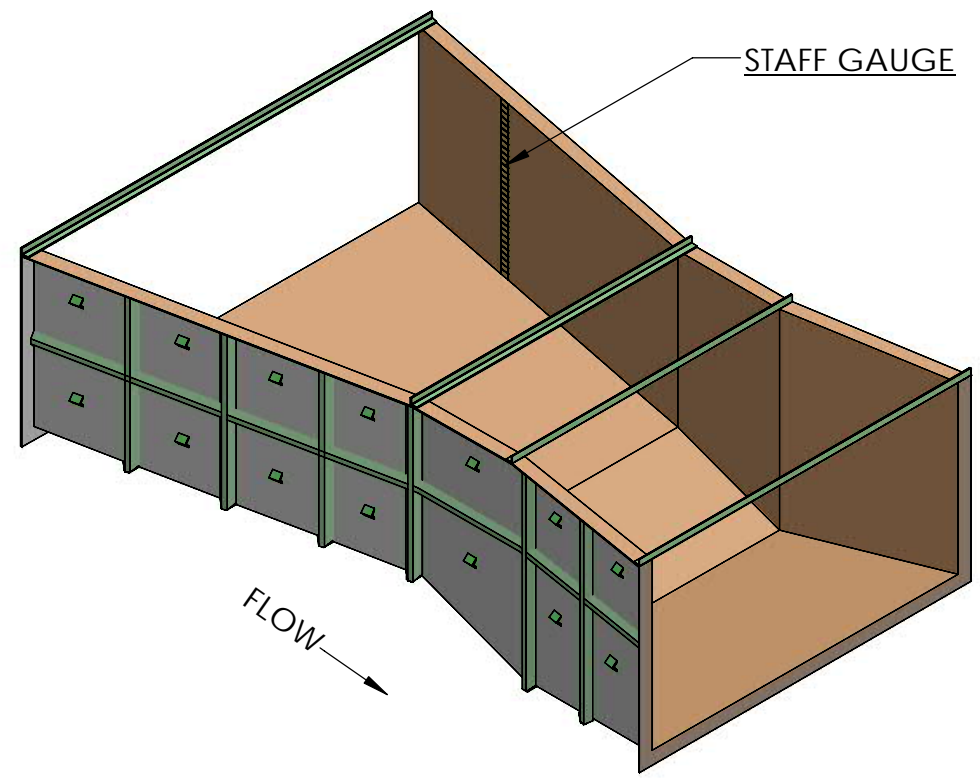
D

D

FLOW →



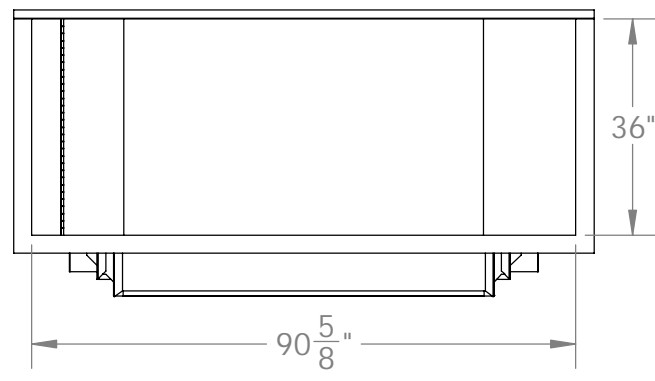
PLAN VIEW



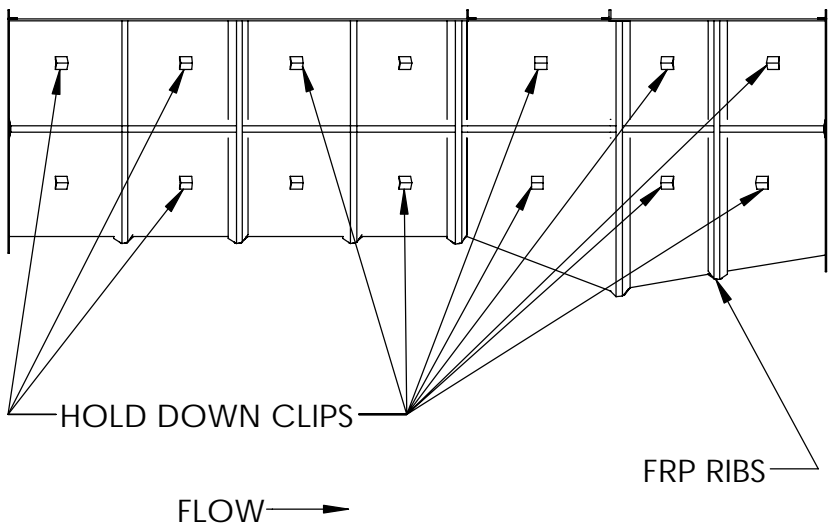
ISOMETRIC VIEW

C

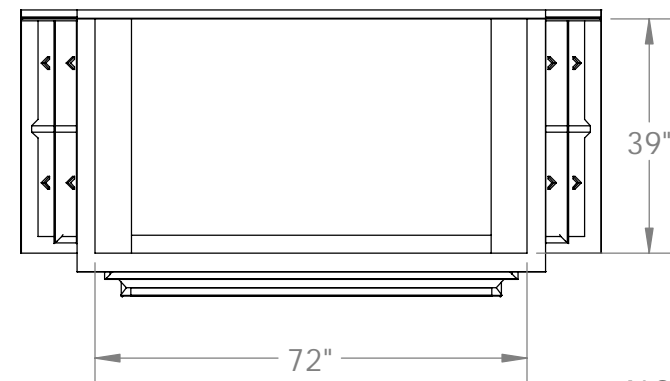
C



END VIEW  
(LOOKING DOWNSTREAM)



SIDE VIEW



END VIEW  
(LOOKING UPSTREAM)

- NOTES:
- 1) INTERIOR GEL COAT COLOR TO BE BEIGE.
  - 2) EXTERIOR GEL COAT COLOR TO BE WHITE.
  - 3) NOMINAL MATERIAL THICKNESS = 1/4".


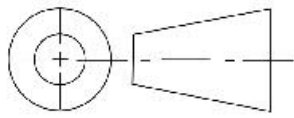
B

B

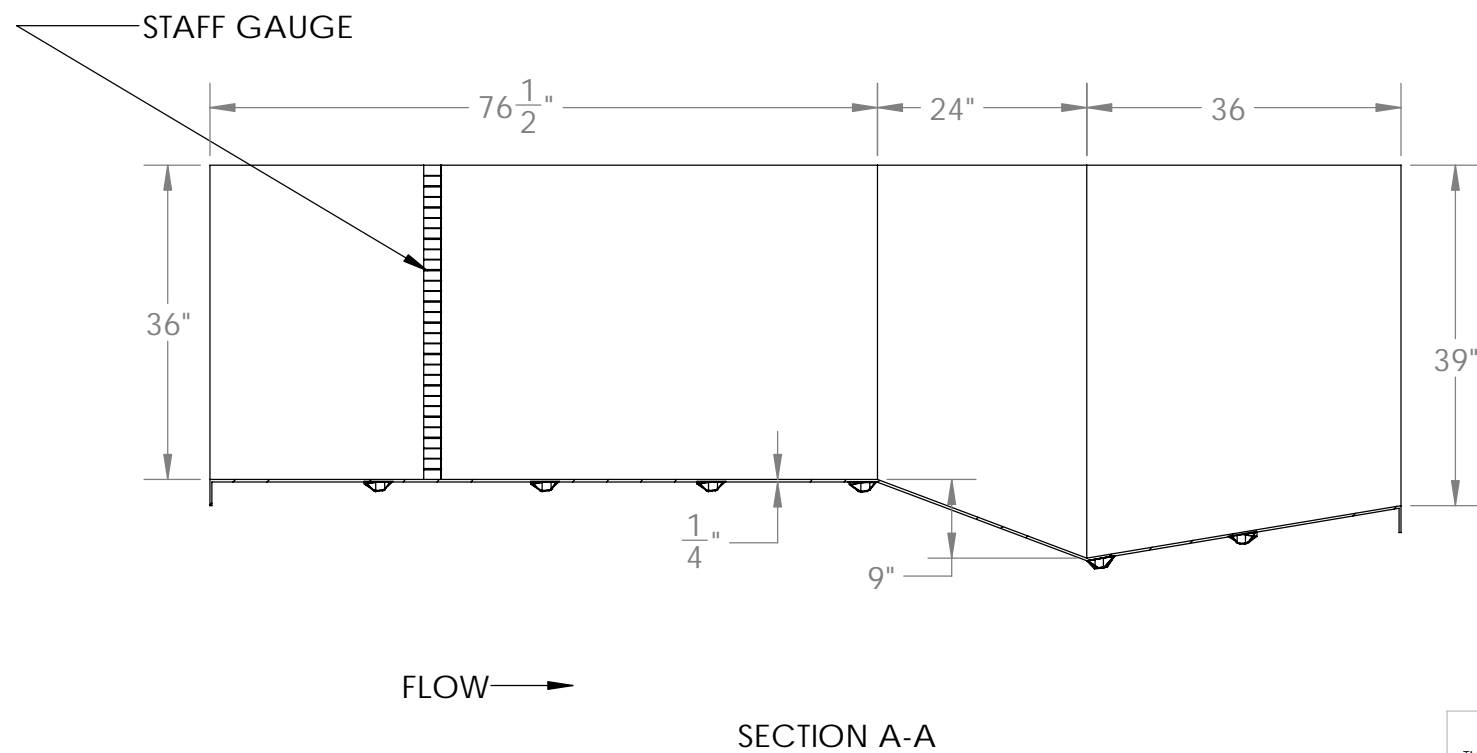
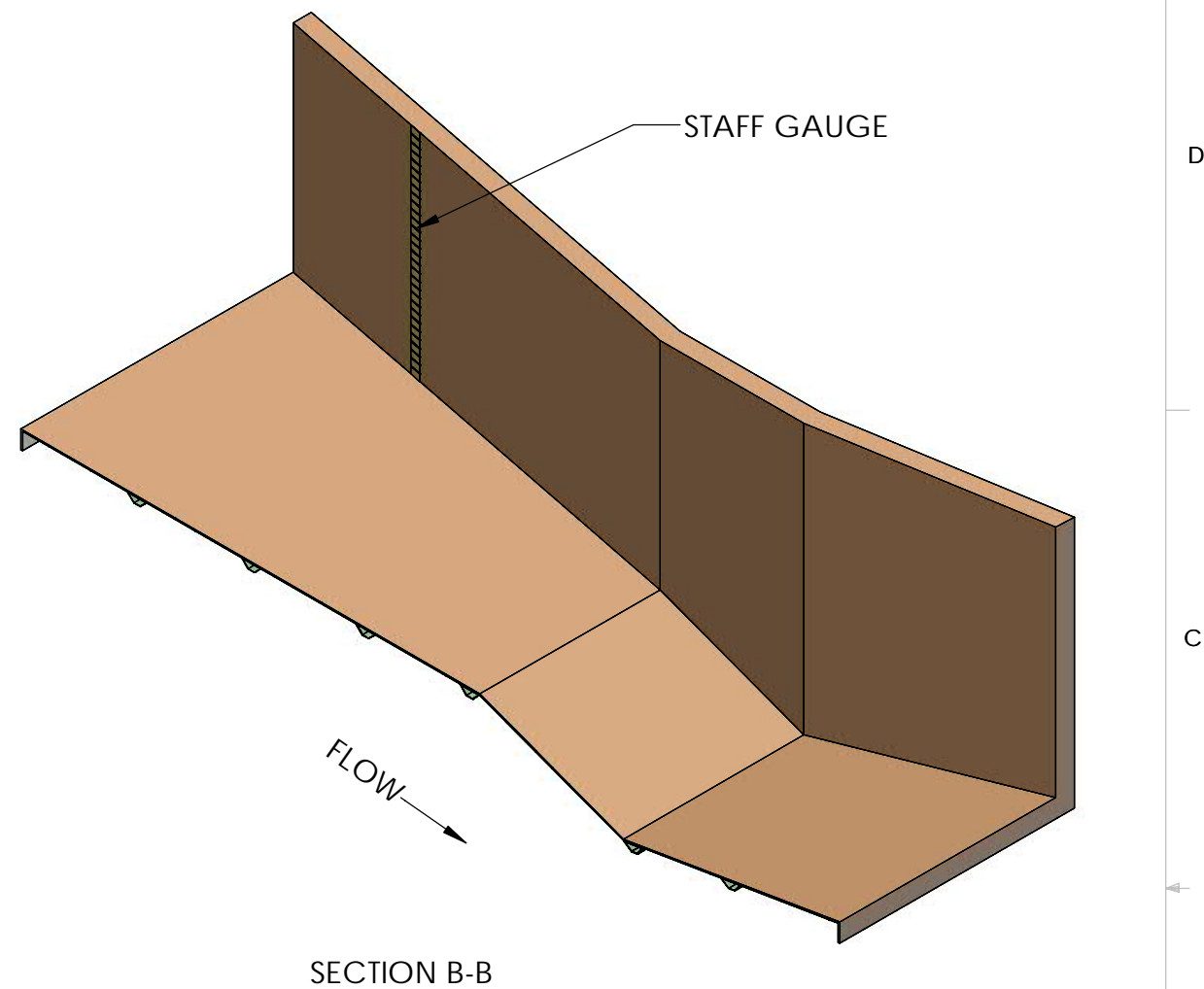
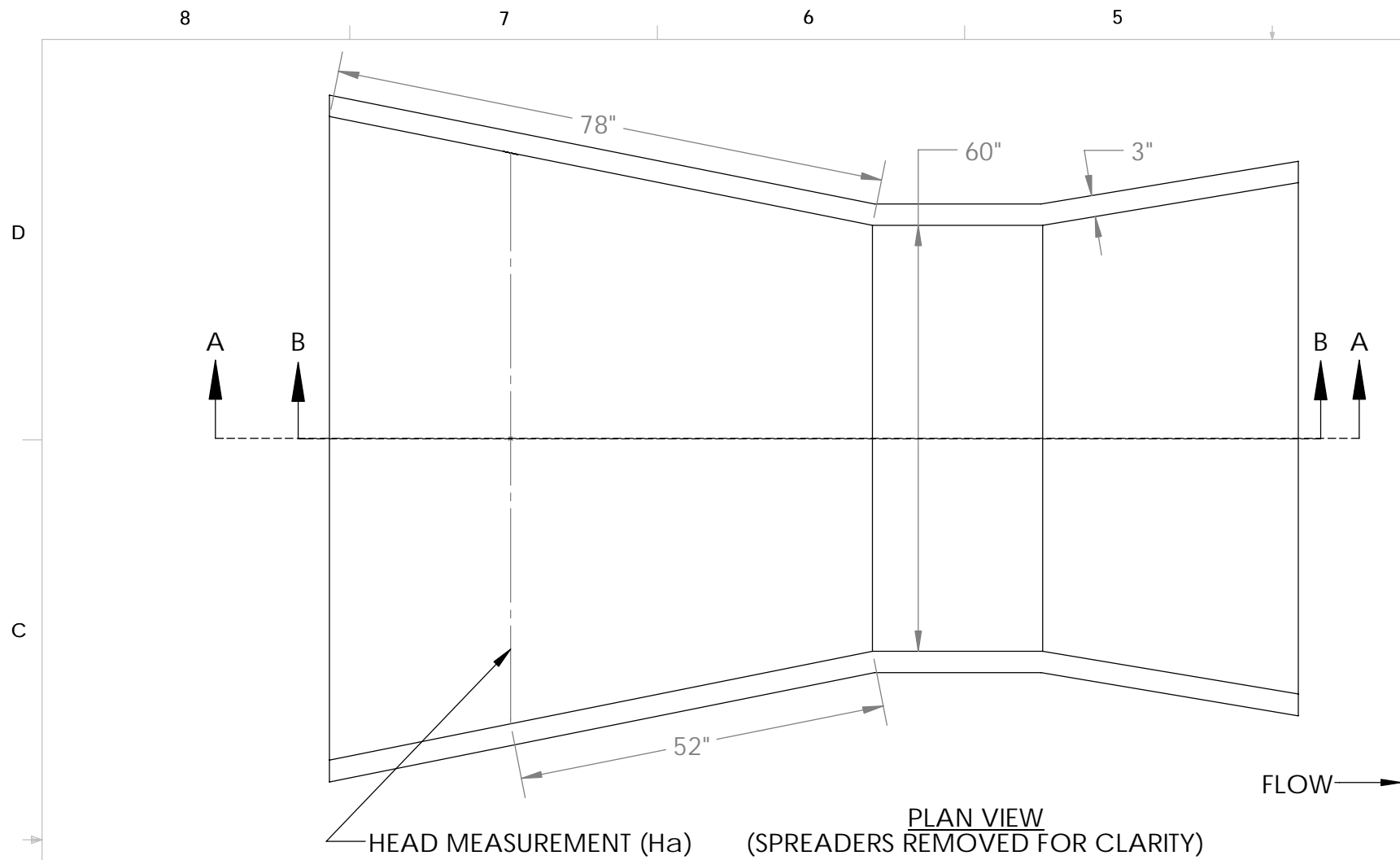
A

A

PROPRIETARY AND CONFIDENTIAL  
THE INFORMATION CONTAINED IN THIS DRAWING IS THE SOLE PROPERTY OF VIRTUAL POLYMER COMPOUNDS, LLC. ANY REPRODUCTION IN PART OR AS A WHOLE WITHOUT THE WRITTEN PERMISSION OF VIRTUAL POLYMER COMPOUNDS, LLC IS PROHIBITED.

UNLESS OTHERWISE SPECIFIED:		NAME	DATE	 <b>VPC FIBERGLASS</b> 10478 Ridge Rd., Medina NY 14103 Toll Free: 888-290-9522 Phone: 585-735-9668	
DIMENSIONS ARE IN INCHES TOLERANCES: FRACTIONAL ± ANGULAR: MACH ± BEND ± TWO PLACE DECIMAL ± THREE PLACE DECIMAL ±		DRAWN	LVR		8/6/2020
INTERPRET GEOMETRIC TOLERANCING PER:		CHECKED			
MATERIAL POLYESTER RESIN FINISH		ENG APPR.			
DO NOT SCALE DRAWING		MFG APPR.			
		Q.A.			
		 3rd ANGLE PROJECTION		TITLE: 60 INCH PARSHALL FLUME	
		Project:		WITHOUT OPTIONS	
SIZE	DWG. NO.			REV	
<b>B</b>				<b>A</b>	
SCALE: 1:32 Weight 264.42		SHEET 2 OF 5			

8 7 6 5 4 3 2 1

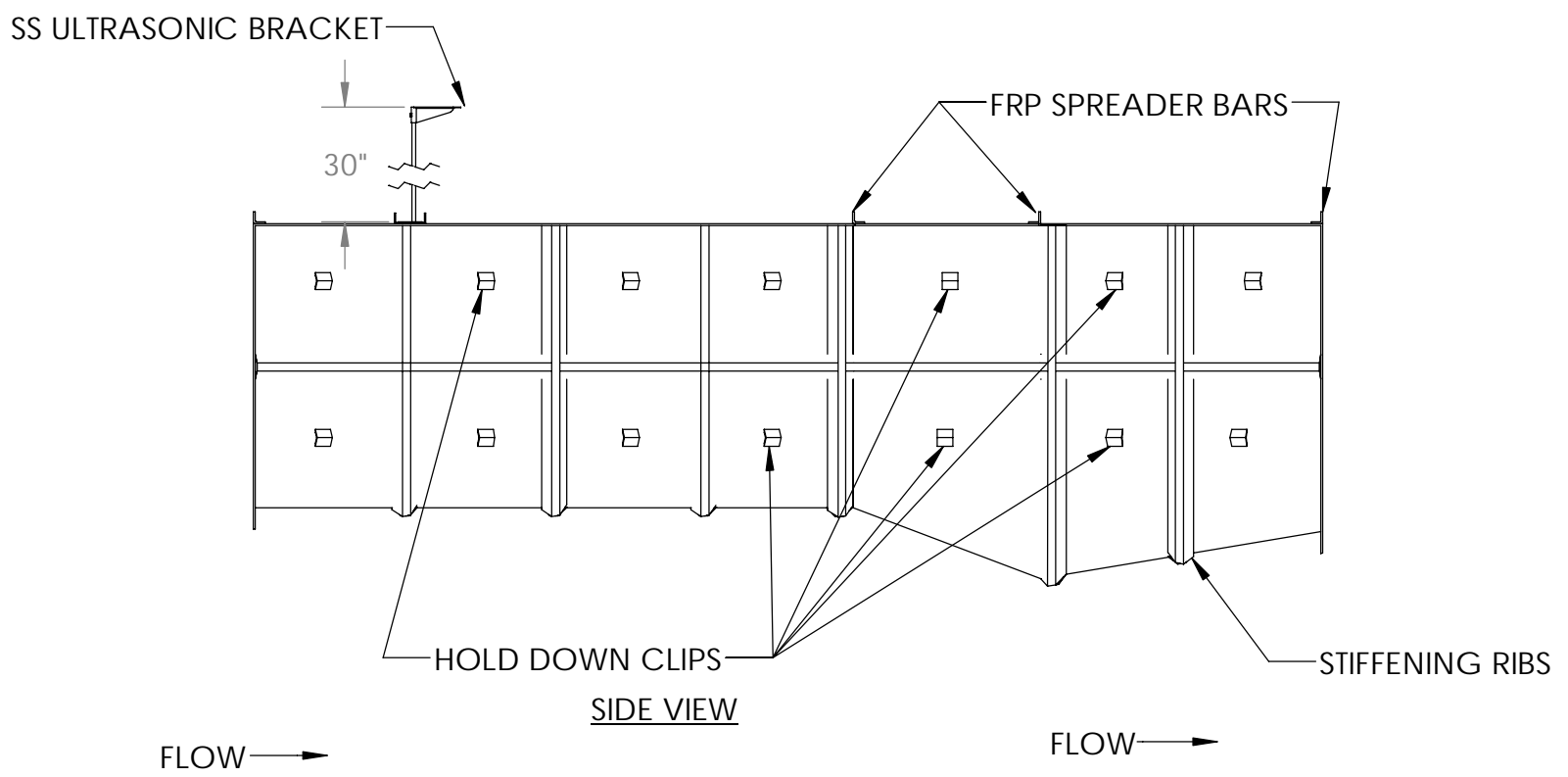
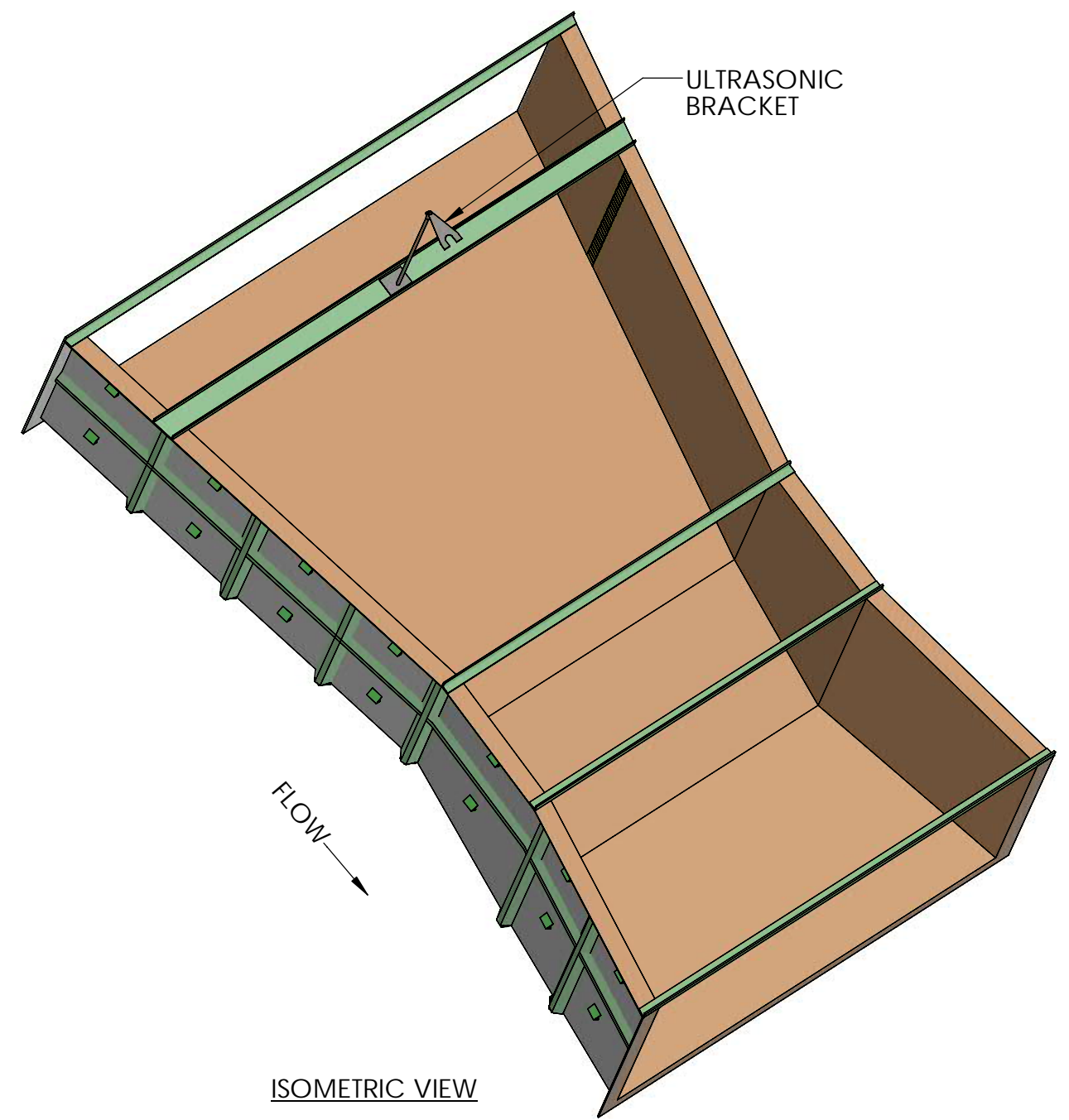
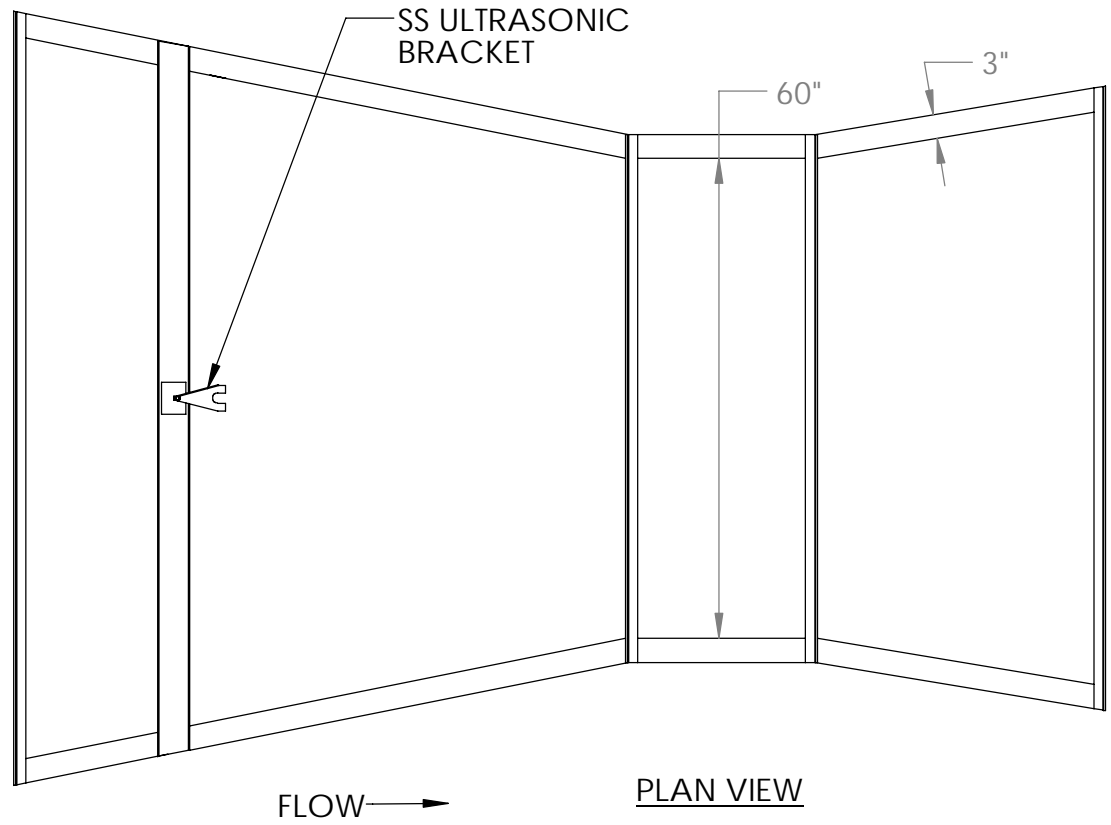


PROPRIETARY AND CONFIDENTIAL  
THE INFORMATION CONTAINED IN THIS  
DRAWING IS THE SOLE PROPERTY OF  
Virtual Polymer Compounds, LLC. ANY  
REPRODUCTION IN PART OR AS A WHOLE  
WITHOUT THE WRITTEN PERMISSION OF  
Virtual Polymer Compounds, LLC IS  
PROHIBITED.

UNLESS OTHERWISE SPECIFIED:	NAME	DATE
DIMENSIONS ARE IN INCHES	DRAWN	LVR 8/6/2020
TOLERANCES:	CHECKED	
FRACTIONAL ±	ENG APPR.	
ANGULAR: MACH ± BEND ±	MFG APPR.	
TWO PLACE DECIMAL ±	Q.A.	
THREE PLACE DECIMAL ±	COMMENTS:	
INTERPRET GEOMETRIC TOLERANCING PER:		
MATERIAL	POLYESTER RESIN	
FINISH	DO NOT SCALE DRAWING	

TITLE:		60 INCH PARSHALL FLUME	
Project:		WITHOUT OPTIONS	
SIZE	DWG. NO.	REV	
B		A	
SCALE: 1:22		Weight 264.42	SHEET 3 OF 5

**VPC** 10478 Ridge Rd.,  
Medina NY 14103  
Toll Free: 888-290-9522  
FIBERGLASS Phone: 585-735-9668



UNLESS OTHERWISE SPECIFIED:

DIMENSIONS ARE IN INCHES  
TOLERANCES:  
FRACTIONAL ±  
ANGULAR: MACH ± BEND ±  
TWO PLACE DECIMAL ±  
THREE PLACE DECIMAL ±

INTERPRET GEOMETRIC TOLERANCING PER:

MATERIAL  
POLYESTER RESIN  
FINISH

DO NOT SCALE DRAWING

NAME	DATE
LVR	8/6/2020
CHECKED	
ENG APPR.	
MFG APPR.	
Q.A.	

COMMENTS:

3rd ANGLE PROJECTION

**VPC** 10478 Ridge Rd.,  
Medina NY 14103  
Toll Free: 888-290-9522  
Phone: 585-735-9668

**FIBERGLASS**

TITLE:  
60 INCH PARSHALL FLUME

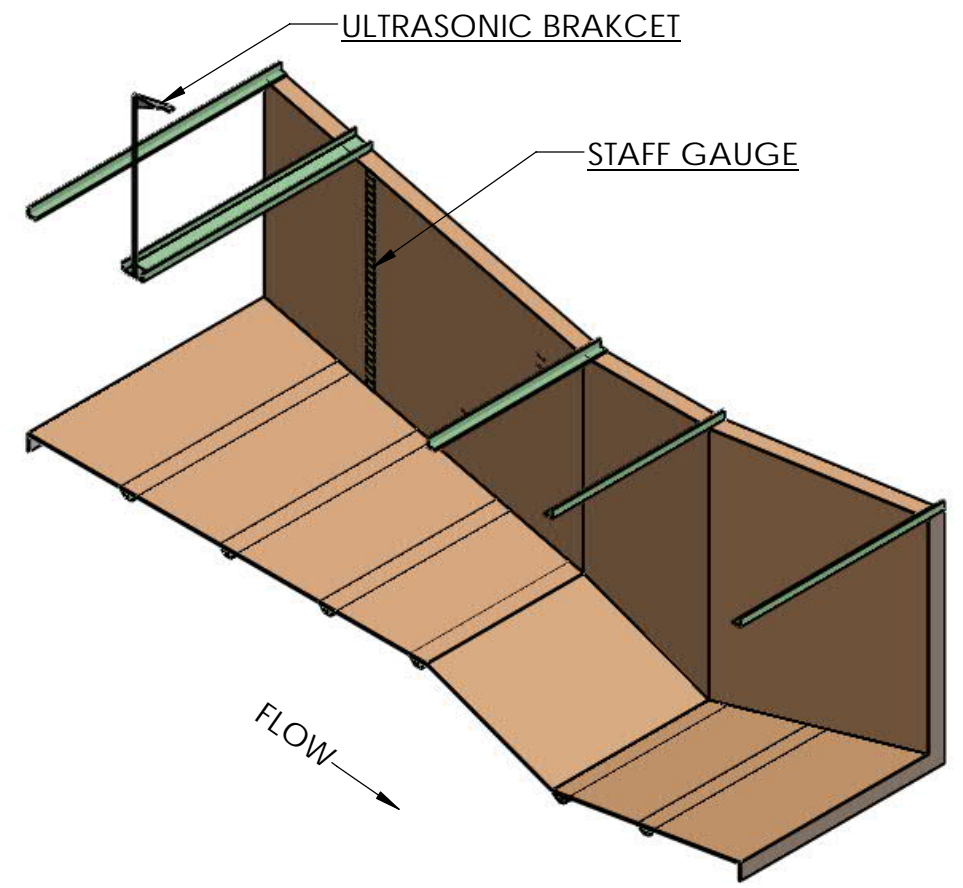
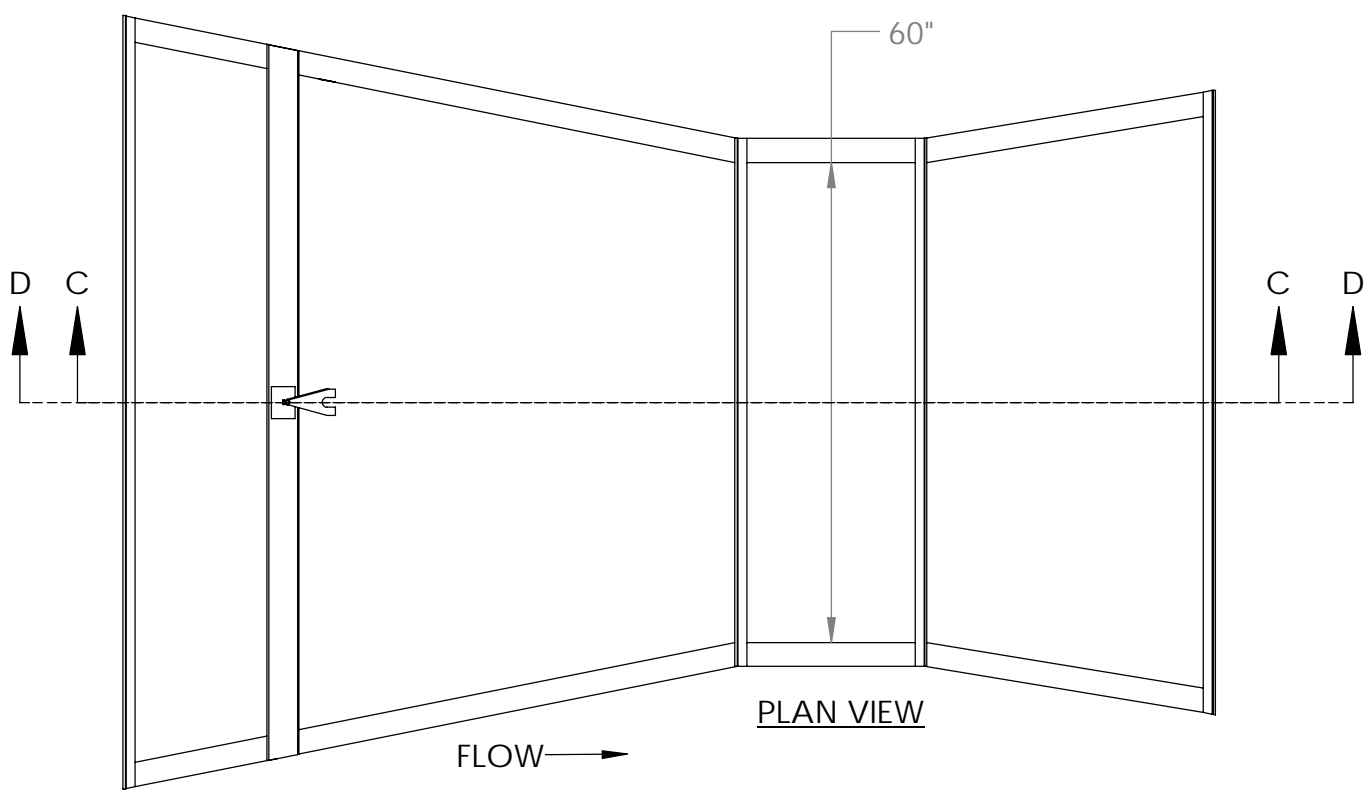
Project:  
WITH OPTIONS

SIZE <b>B</b>	DWG. NO.	REV A
------------------	----------	----------

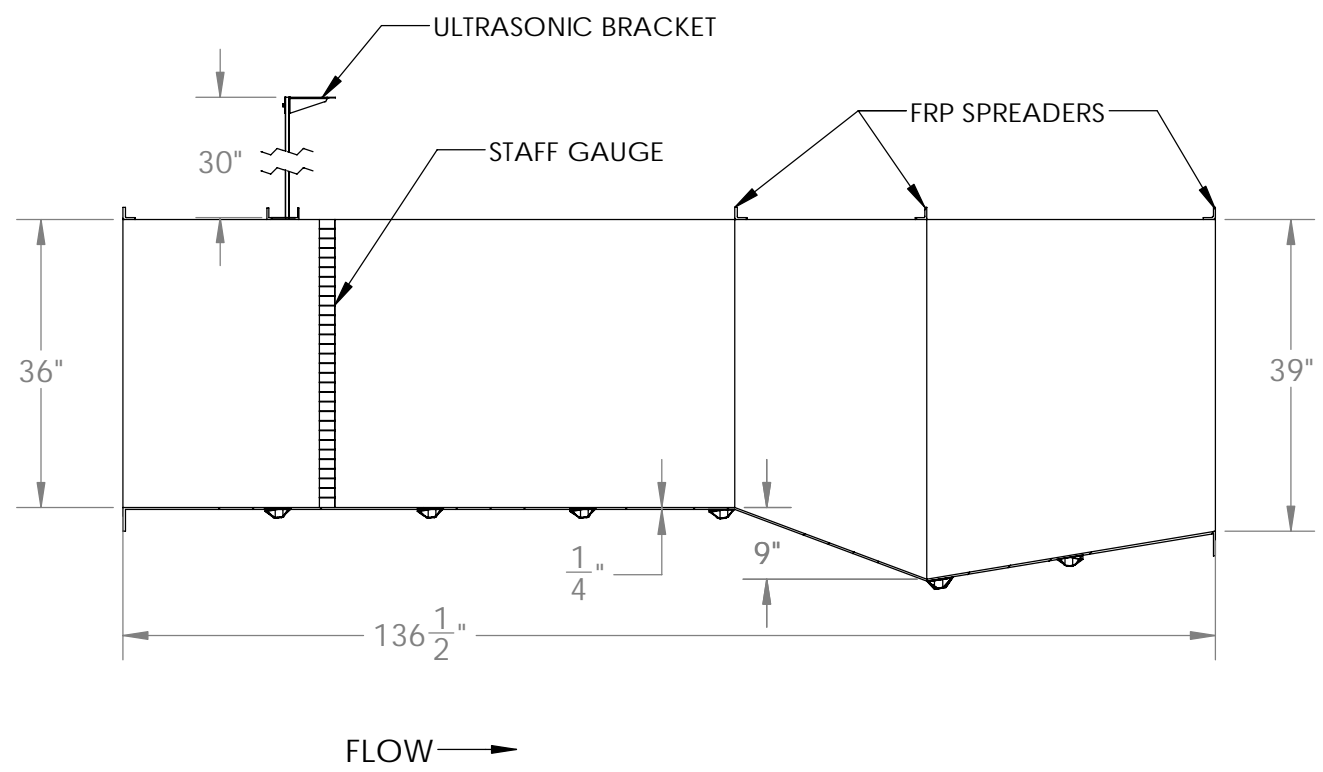
SCALE: 1:24 Weight 269.24 SHEET 4 OF 5

PROPRIETARY AND CONFIDENTIAL  
THE INFORMATION CONTAINED IN THIS DRAWING IS THE SOLE PROPERTY OF Virtual Polymer Compounds, LLC. ANY REPRODUCTION IN PART OR AS A WHOLE WITHOUT THE WRITTEN PERMISSION OF Virtual Polymer Compounds, LLC IS PROHIBITED.

8 7 6 5 4 3 2 1


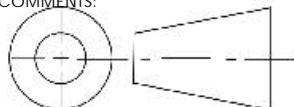


SECTION D-D  
SCALE 1 : 26



SECTION C-C

PROPRIETARY AND CONFIDENTIAL  
THE INFORMATION CONTAINED IN THIS DRAWING IS THE SOLE PROPERTY OF Virtual Polymer Compounds, LLC. ANY REPRODUCTION IN PART OR AS A WHOLE WITHOUT THE WRITTEN PERMISSION OF Virtual Polymer Compounds, LLC IS PROHIBITED.

UNLESS OTHERWISE SPECIFIED:		NAME	DATE	 <b>VPC</b> 10478 Ridge Rd., Medina NY 14103 Toll Free: 888-290-9522 Phone: 585-735-9668
DIMENSIONS ARE IN INCHES TOLERANCES: FRACTIONAL ± ANGULAR: MACH ± BEND ± TWO PLACE DECIMAL ± THREE PLACE DECIMAL ±		DRAWN	LVR 8/6/2020	
INTERPRET GEOMETRIC TOLERANCING PER:		CHECKED		TITLE: 60 INCH PARSHALL FLUME
MATERIAL POLYESTER RESIN FINISH		ENG APPR.		Project: WITH OPTIONS
DO NOT SCALE DRAWING		MFG APPR.		SIZE <b>B</b>
		Q.A.		DWG. NO.
		COMMENTS:		REV A
		 3rd ANGLE PROJECTION		SCALE: 1:24 Weight 269.24 SHEET 5 OF 5

8 7 6 5 4 3 2 1