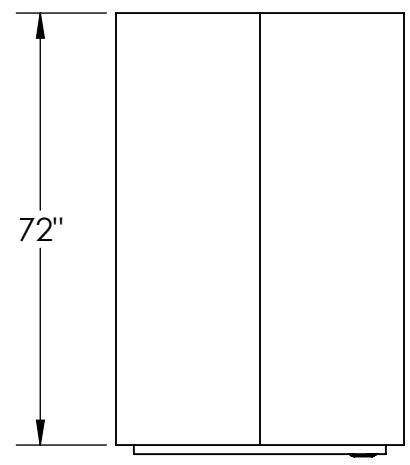


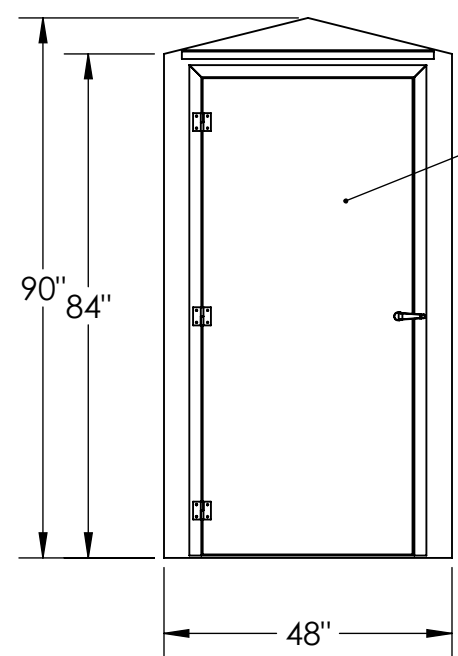
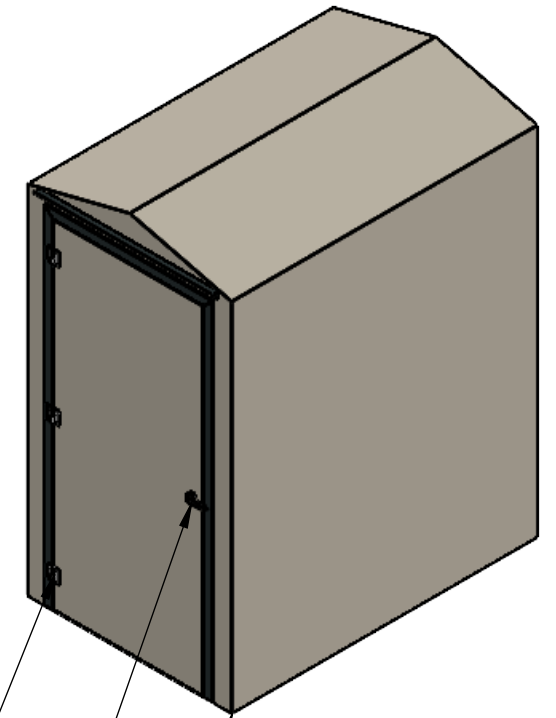
8 7 6 5 4 3 2 1

F
E
D
C
B
A

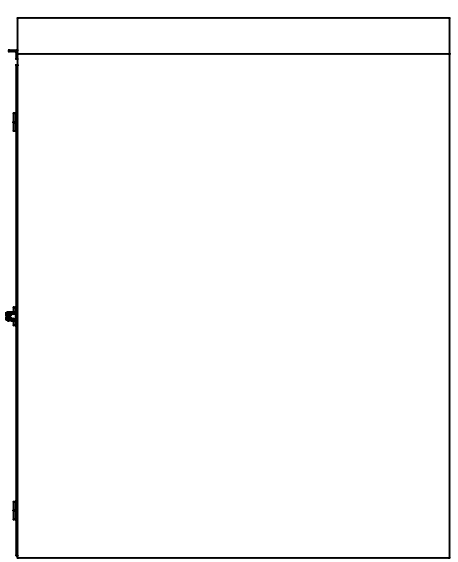
F
E
D
C
B
A



R7 INSULATION VALUE STANDARD.
HIGHER R VALUES AVAILABLE.



36x80 DOOR
(NOMINAL)



3 INCH INTERNAL MOUNTING FLANGE
THREE POINT PADLOCKABLE LATCH
STAINLESS STEEL HINGES AND LATCH

CUSTOM CONFIGURATIONS AVAILABLE!

COMMON OPTIONAL FEATURES:

- 110/220V LOAD CENTER
- EXTERNAL FIXED LOUVERS
- 110V CEILING MOUNTED LIGHT WITH WALL SWITCH
- 3/8" INTEGRAL FIBERGLASS FLOOR
- EQUIPMENT MOUNTING BOARD
- WALL MOUNTED UNISTRUT
- WINDOWS
- DOUBLE DOORS

PROPRIETARY AND CONFIDENTIAL
THE INFORMATION CONTAINED IN THIS DRAWING IS THE SOLE PROPERTY OF VIRTUAL POLYMER COMPOUNDS. ANY REPRODUCTION IN PART OR AS A WHOLE WITHOUT THE WRITTEN PERMISSION OF VIRTUAL POLYMER COMPOUNDS IS PROHIBITED.

		UNLESS OTHERWISE SPECIFIED:	NAME	DATE
		DIMENSIONS ARE IN INCHES	DRAWN	CD
		TOLERANCES:	CHECKED	---
		FRACTIONAL ±	ENG APPR.	---
		ANGULAR: MACH ± BEND ±	MFG APPR.	---
		TWO PLACE DECIMAL ±	Q.A.	---
		THREE PLACE DECIMAL ±	COMMENTS:	
		INTERPRET GEOMETRIC TOLERANCING PER:		
		MATERIAL:		
		FINISH:		
NEXT ASSY	USED ON			
APPLICATION		DO NOT SCALE DRAWING		

VPC FIBERGLASS
Virtual Polymer Compounds VPC Fiberglass
vpc@vpcfg.com 11 800.719.9005 F 216.542.6190
2427 E. 117th St. West Des Moines, IA 50317

TITLE:
4'X6'X7' CUSTOM FIBERGLASS ENCLOSURE

SIZE	DWG. NO.	REV
B	4X6X7 BUILDING	-

SCALE: WEIGHT: SHEET 1 OF 3

8 7 6 5 4 3 2 1

8

7

6

5

4

3

2

1

F

F

E

E

D

D

C

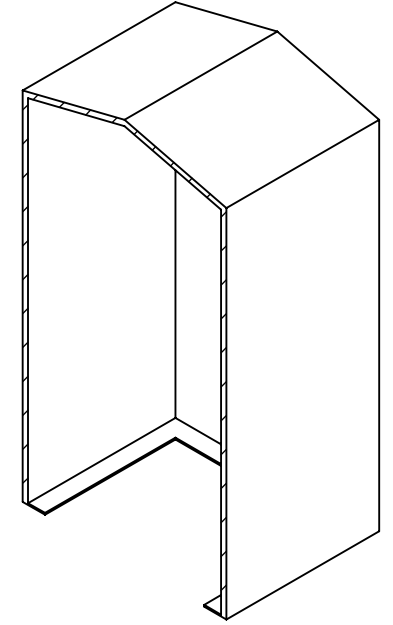
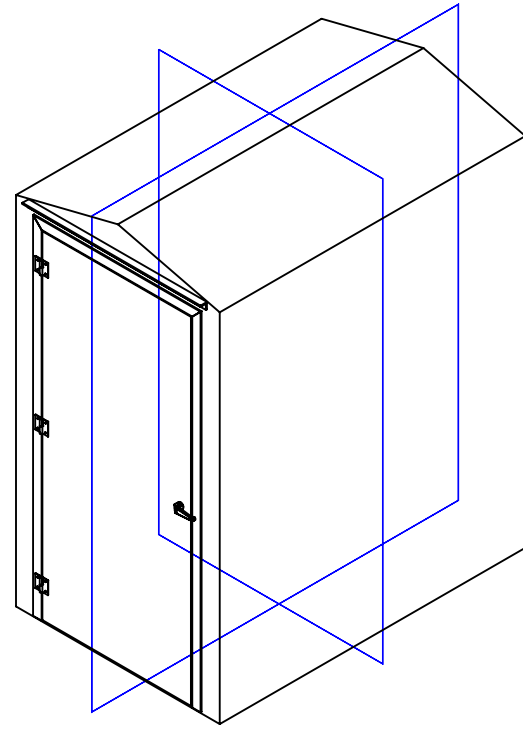
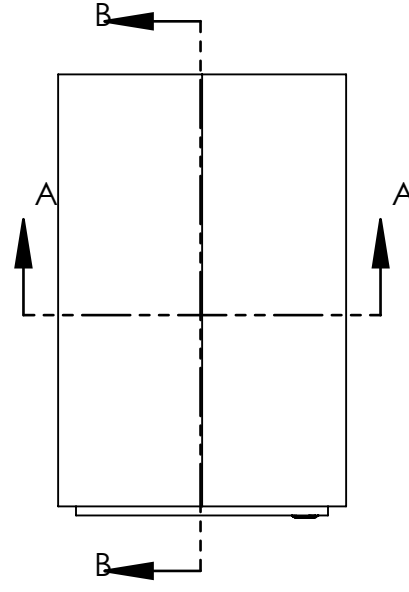
C

B

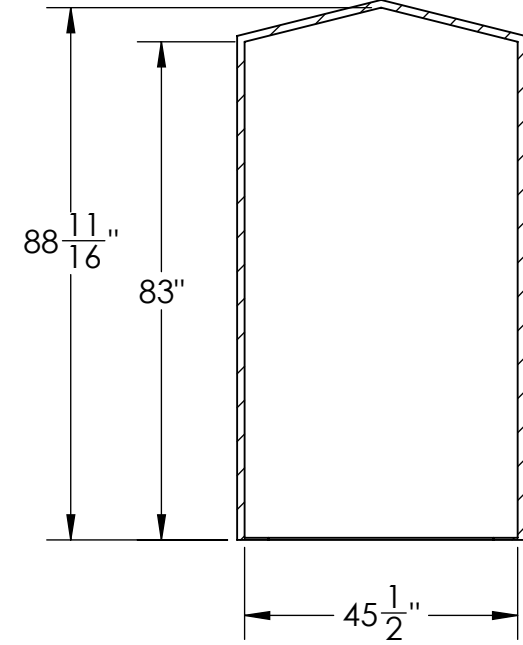
B

A

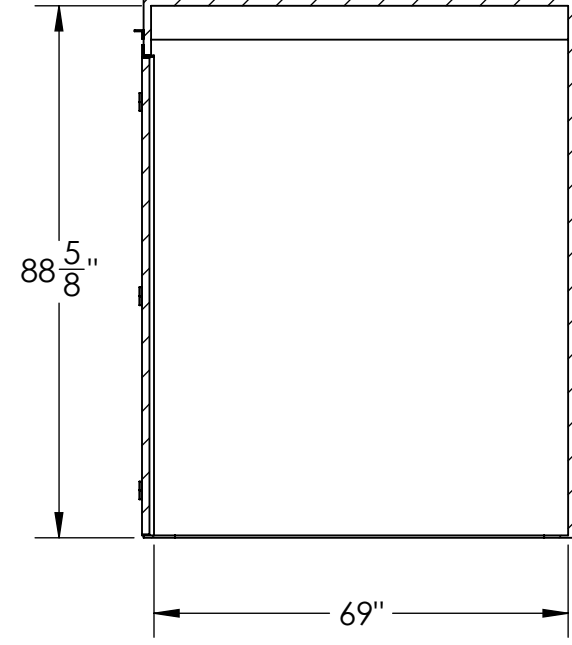
A



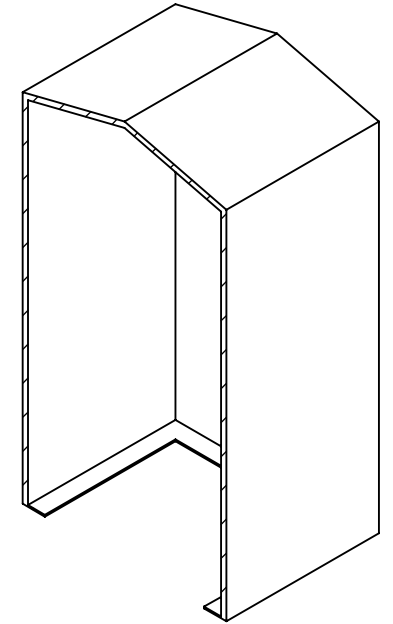
SECTION A-A



SECTION A-A



SECTION B-B



SECTION B-B

PROPRIETARY AND CONFIDENTIAL
 THE INFORMATION CONTAINED IN THIS DRAWING IS THE SOLE PROPERTY OF VIRTUAL POLYMER COMPOUNDS. ANY REPRODUCTION IN PART OR AS A WHOLE WITHOUT THE WRITTEN PERMISSION OF VIRTUAL POLYMER COMPOUNDS IS PROHIBITED.

		UNLESS OTHERWISE SPECIFIED:		NAME	DATE
		DIMENSIONS ARE IN INCHES		DRAWN	CD 10/1/2020
		TOLERANCES:		CHECKED	---
		FRACTIONAL \pm		ENG APPR.	---
		ANGULAR: MACH \pm BEND \pm		MFG APPR.	---
		TWO PLACE DECIMAL \pm		Q.A.	---
		THREE PLACE DECIMAL \pm		COMMENTS:	
		INTERPRET GEOMETRIC TOLERANCING PER:			
		MATERIAL:			
		FINISH:			
NEXT ASSY	USED ON				
APPLICATION		DO NOT SCALE DRAWING			

VPC FIBERGLASS Virtual Polymer Compounds VPC Fiberglass
 vpcfiberglass.com 7065 129065 F 118.942.6190
 2427 E. 17th St. - Mesa, AZ 85205

TITLE:
4X6X7 CUSTOM FIBERGLASS ENCLOSURE

SIZE	DWG. NO.	REV
B	4X6X7 BUILDING	-

SCALE: WEIGHT: SHEET 2 OF 3

8

7

6

5

4

3

2

1

F

F

E

E

D

D

C

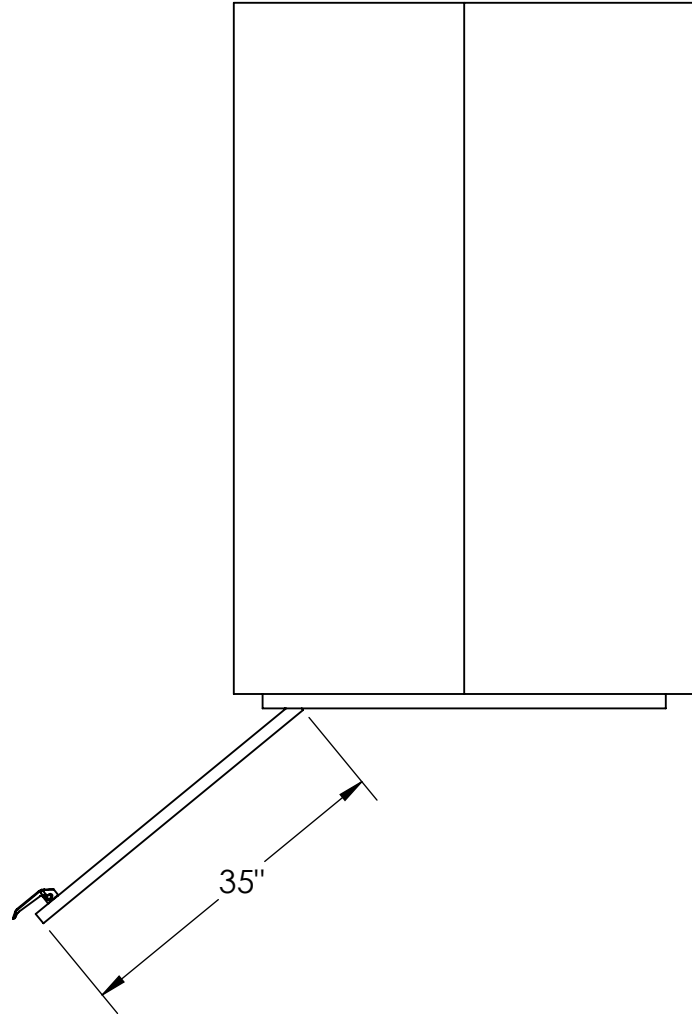
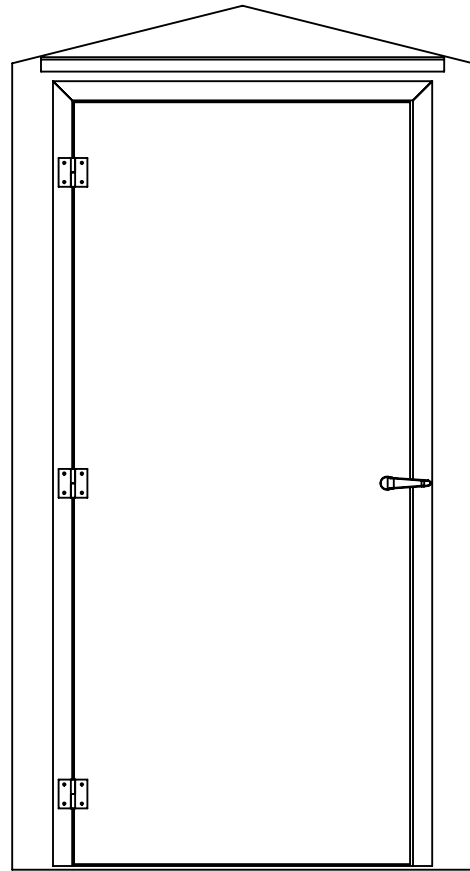
C

B

B

A

A



PROPRIETARY AND CONFIDENTIAL
 THE INFORMATION CONTAINED IN THIS DRAWING IS THE SOLE PROPERTY OF VIRTUAL POLYMER COMPOUNDS. ANY REPRODUCTION IN PART OR AS A WHOLE WITHOUT THE WRITTEN PERMISSION OF VIRTUAL POLYMER COMPOUNDS IS PROHIBITED.

		UNLESS OTHERWISE SPECIFIED:		NAME	DATE
		DIMENSIONS ARE IN INCHES	DRAWN	CD	10/1/2020
		TOLERANCES:	CHECKED	---	---
		FRACTIONAL ±	ENG APPR.	---	---
		ANGULAR: MACH ± BEND ±	MFG APPR.	---	---
		TWO PLACE DECIMAL ±	Q.A.	---	---
		THREE PLACE DECIMAL ±	COMMENTS:		
		INTERPRET GEOMETRIC TOLERANCING PER:			
		MATERIAL:			
		FINISH:			
NEXT ASSY	USED ON				
APPLICATION		DO NOT SCALE DRAWING			



TITLE:
4X6X7 CUSTOM FIBERGLASS ENCLOSURE

SIZE	DWG. NO.	REV
B	4X6X7 BUILDING	-
SCALE:	WEIGHT:	SHEET 3 OF 3

8

7

6

5

4

3

2

1