
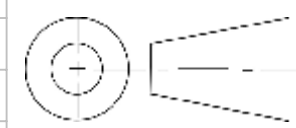


AVAILABLE OPTIONS:

- STAFF GAUGE (ENGLISH OR METRIC).
- STILLING WELL (INTEGRAL OR REMOTE).
- BUBBLER TUBE (SS 1/8" ID, INTEGRAL OR REMOVABLE).
- SAMPLER TUBE (SS 3/8" ID, INTEGRAL OR REMOVABLE).
- INLET APPROACH SECTIONS.
- PIPE STUBS.
- RUBBER PIPE COUPLERS W/ SS CLAMP BANDS.
- ADJUSTABLE SS ULTRASONIC BRACKET.
- PH PROBE CAVITY.
- WING WALLS.
- ENERGY ABSORBING RACKS. (FIXED OR REMOVABLE).
- STANDARD OR SPECIAL DEPTHS (INCLUDING SURGE BOXES).
- FLUME COVERS (GRATING, FIBER SHEETING, CLEAR POLYCARBONATE).
- SPECIAL DESIGN (TO MEET SPECIAL PROJECT NEEDS).
- STANDARD COLOR IS BEIGE (CUSTOM COLORS AVAILABLE).

| | | | | | |
|--------------------------------------|--|--|------|--|-----------|
| UNLESS OTHERWISE SPECIFIED: | | NAME | DATE |  VPC 10478 Ridge Rd., Medina NY 14103 Toll Free: 888-290-9522 Phone: 585-735-9668 | |
| DIMENSIONS ARE IN INCHES | | DRAWN | LVR | | 8/31/2020 |
| TOLERANCES: | | CHECKED | | | |
| FRACTIONAL ± | | ENG APPR. | | | |
| ANGULAR: MACH ± BEND ± | | MFG APPR. | | | |
| TWO PLACE DECIMAL ± | | Q.A. | | | |
| THREE PLACE DECIMAL ± | | | | TITLE: 3.0H FLUME | |
| INTERPRET GEOMETRIC TOLERANCING PER: | | | | Project: WITH OPTIONS | |
| MATERIAL: POLYESTER RESIN | | | | SIZE: B DWG. NO. REV: A | |
| FINISH: | | | | SCALE: 1:16 Weight 314.36 SHEET 1 OF 5 | |
| DO NOT SCALE DRAWING | |  3rd ANGLE PROJECTION | | | |

PROPRIETARY AND CONFIDENTIAL
 THE INFORMATION CONTAINED IN THIS DRAWING IS THE SOLE PROPERTY OF VIRTUAL POLYMER COMPOUNDS, LLC. ANY REPRODUCTION IN PART OR AS A WHOLE WITHOUT THE WRITTEN PERMISSION OF VIRTUAL POLYMER COMPOUNDS, LLC IS PROHIBITED.

8 7 6 5 4 3 2 1

D

C

B

A

D

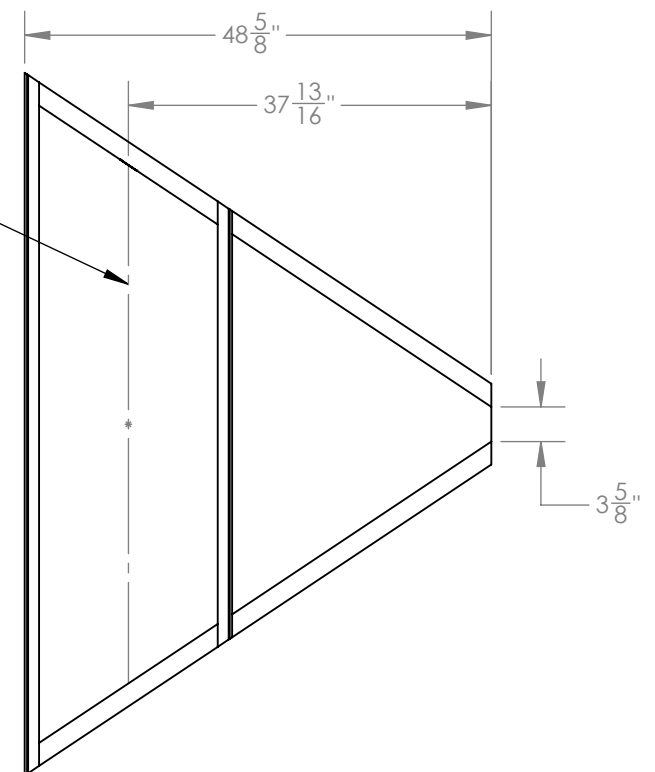
C

B

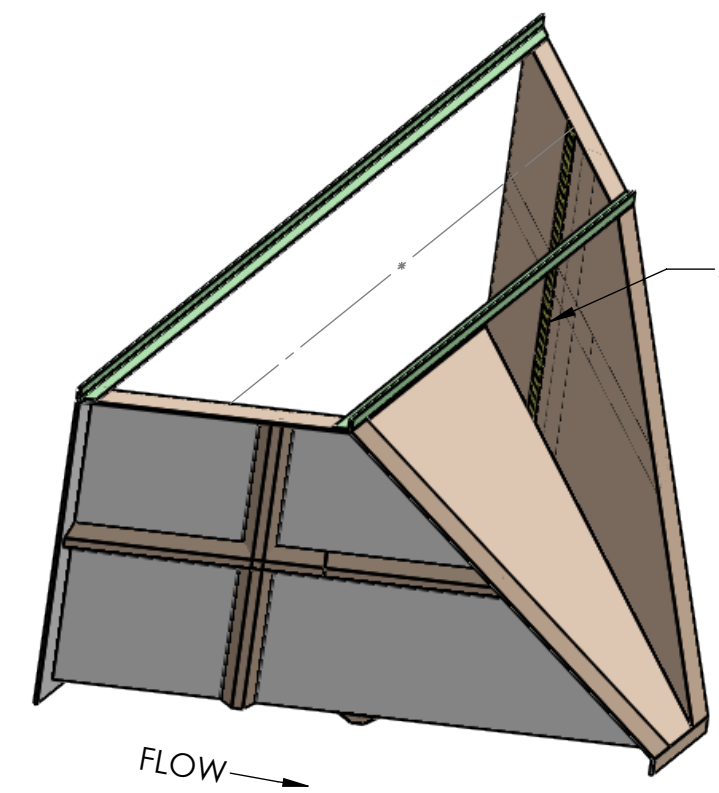
A

HEAD MEASUREMENT
LOCATION

FLOW →



PLAN VIEW

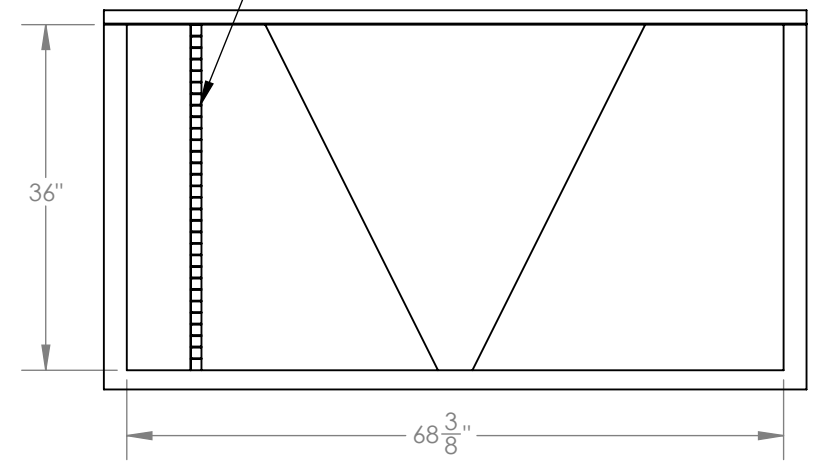


STAFF GAUGE

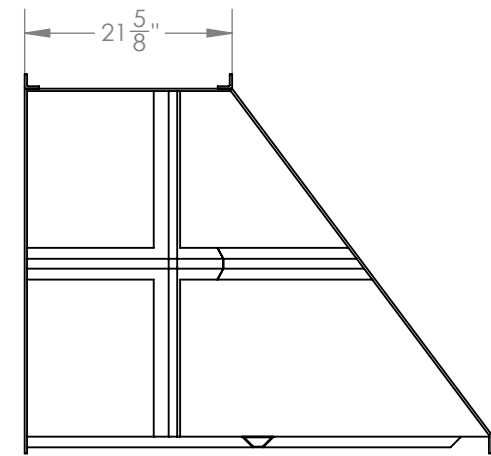
FLOW →

ISOMETRIC VIEW

STAFF GAUGE

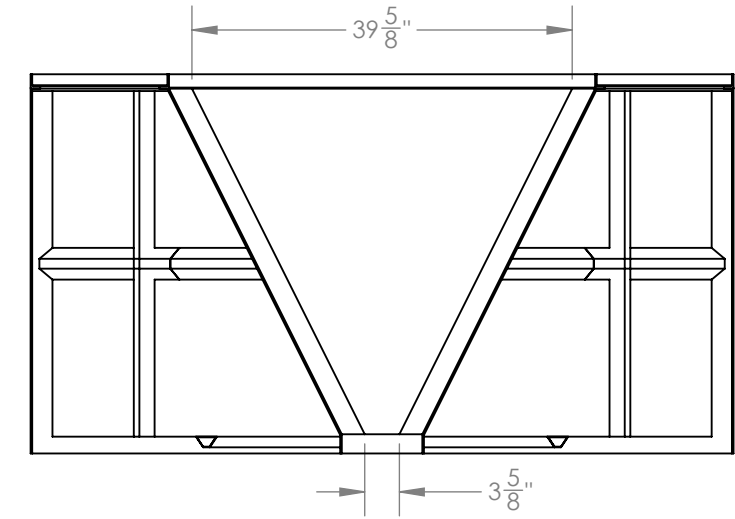


END VIEW
(LOOKING DOWN STREAM)



FLOW →

SIDE VIEW



END VIEW
(LOOKING UP STREAM)

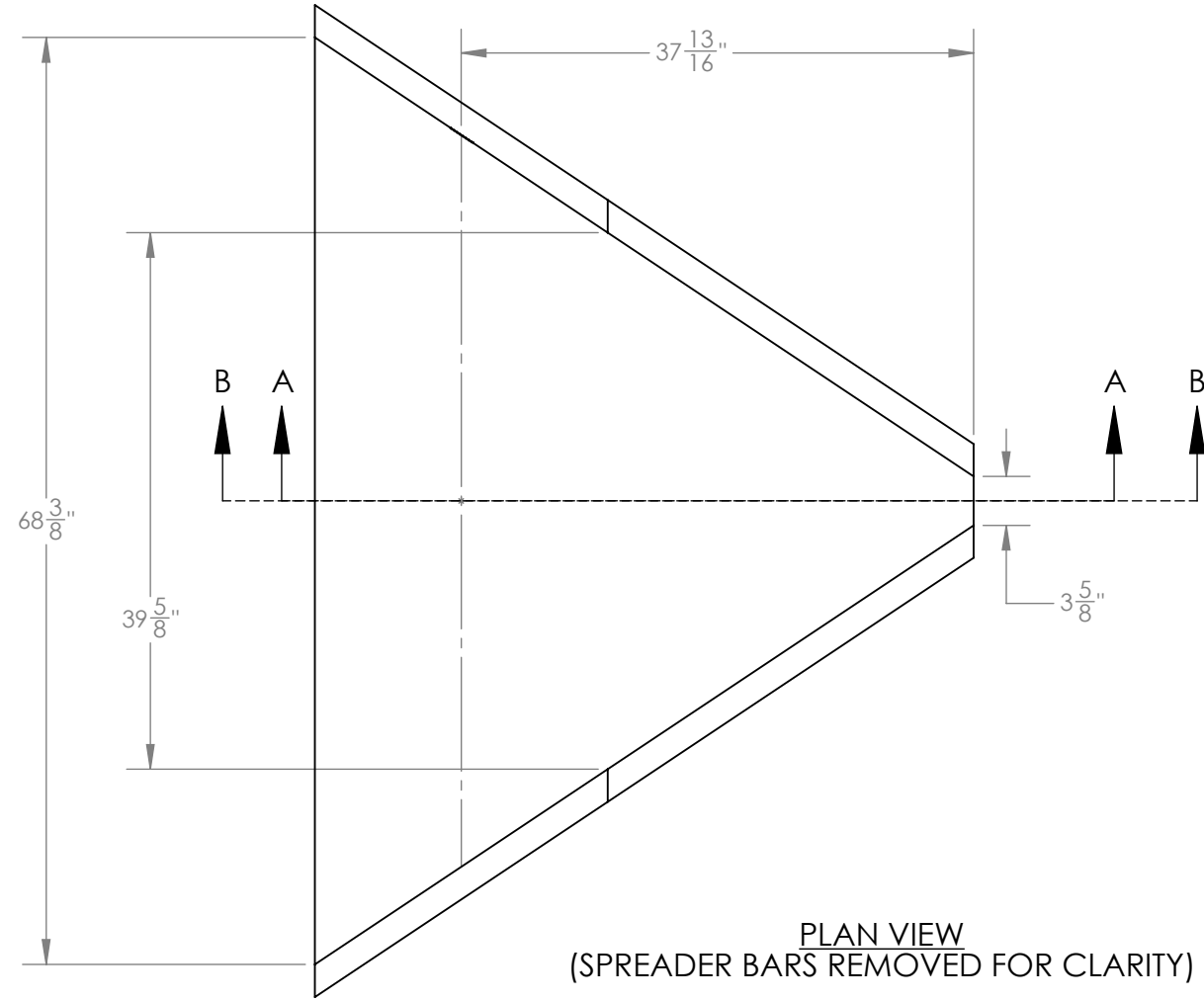
PROPRIETARY AND CONFIDENTIAL
THE INFORMATION CONTAINED IN THIS DRAWING IS THE SOLE PROPERTY OF Virtual Polymer Compounds, LLC. ANY REPRODUCTION IN PART OR AS A WHOLE WITHOUT THE WRITTEN PERMISSION OF Virtual Polymer Compounds, LLC IS PROHIBITED.

| | | |
|--------------------------------------|----------------------|---------------|
| UNLESS OTHERWISE SPECIFIED: | NAME | DATE |
| DIMENSIONS ARE IN INCHES | DRAWN | LVR 8/31/2020 |
| TOLERANCES: | CHECKED | |
| FRACTIONAL ± | ENG APPR. | |
| ANGULAR: MACH ± BEND ± | MFG APPR. | |
| TWO PLACE DECIMAL ± | Q.A. | |
| THREE PLACE DECIMAL ± | COMMENTS: | |
| INTERPRET GEOMETRIC TOLERANCING PER: | | |
| MATERIAL | | |
| POLYESTER RESIN | | |
| FINISH | | |
| DO NOT SCALE DRAWING | 3rd ANGLE PROJECTION | |

VPC 10478 Ridge Rd., Medina NY 14103
FIBERGLASS Toll Free: 888-290-9522 Phone: 585-735-9668

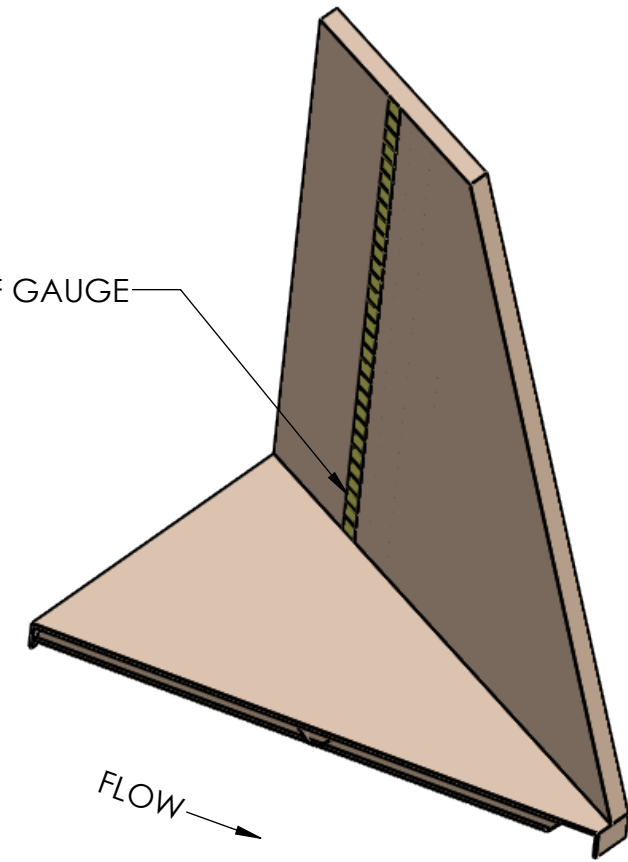
| | | |
|--------------------------|----------|--------------|
| TITLE: 3.0H FLUME | | |
| Project: NO OPTIONS | | |
| SIZE B | DWG. NO. | REV A |
| SCALE: 1:20 Weight 79.84 | | SHEET 2 OF 5 |

FLOW →

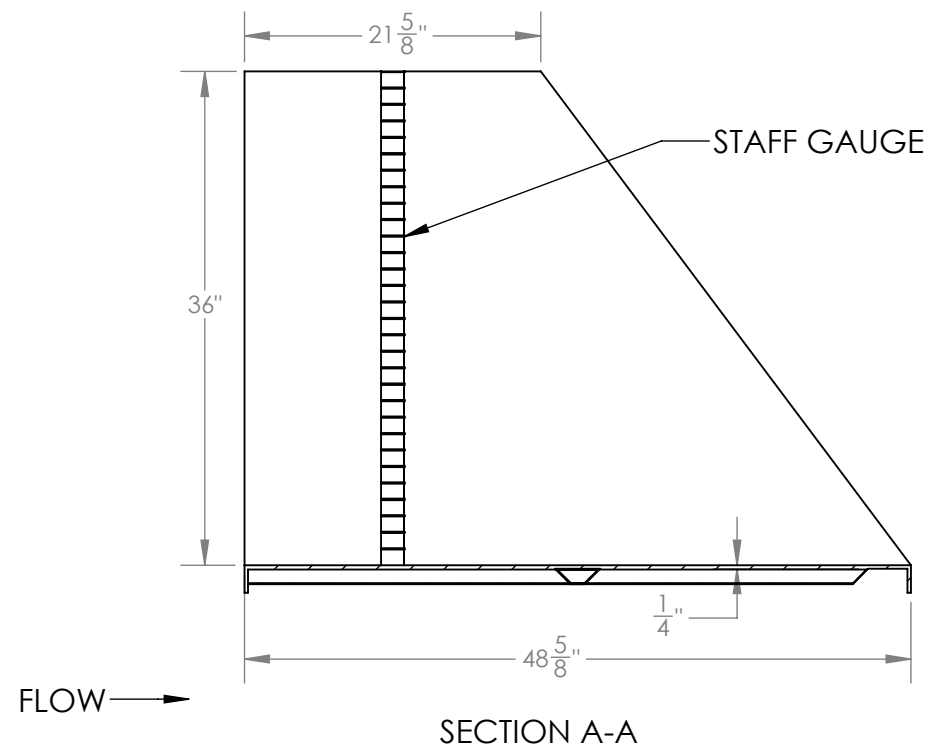


PLAN VIEW
(SPREADER BARS REMOVED FOR CLARITY)

STAFF GAUGE



SECTION B-B




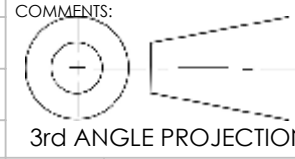
SECTION A-A

PROPRIETARY AND CONFIDENTIAL
THE INFORMATION CONTAINED IN THIS DRAWING IS THE SOLE PROPERTY OF Virtual Polymer Compounds, LLC. ANY REPRODUCTION IN PART OR AS A WHOLE WITHOUT THE WRITTEN PERMISSION OF Virtual Polymer Compounds, LLC IS PROHIBITED.

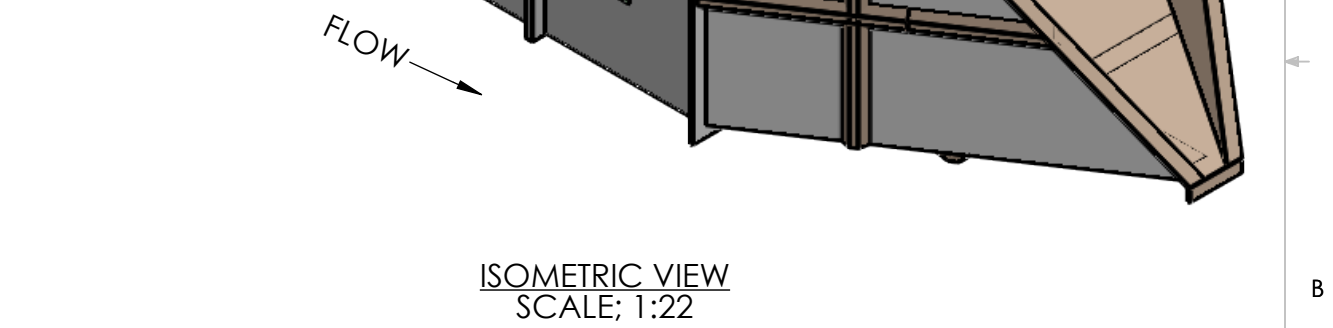
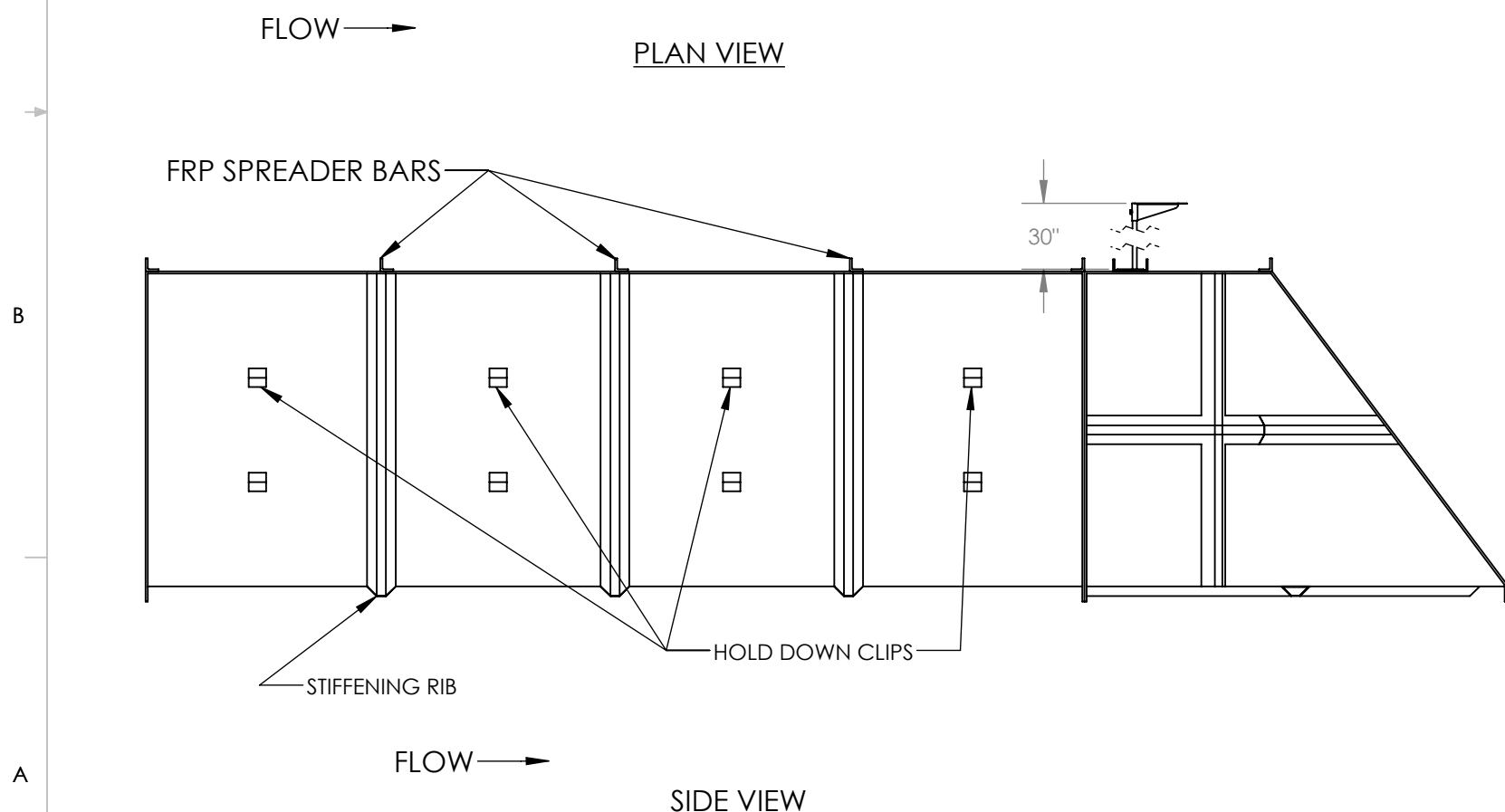
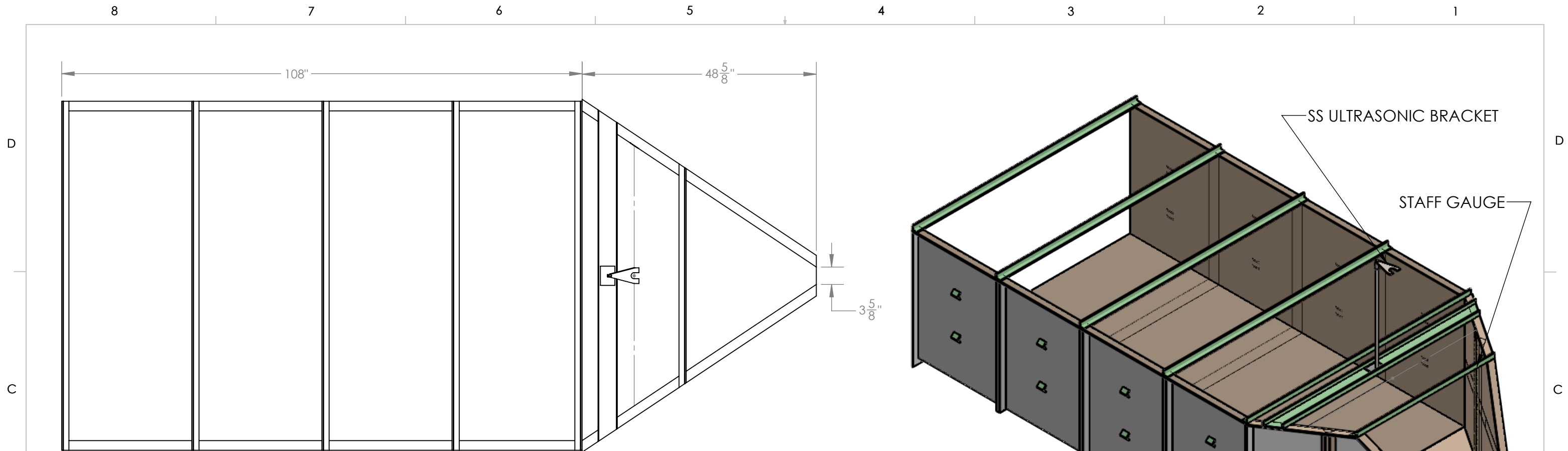
UNLESS OTHERWISE SPECIFIED:
DIMENSIONS ARE IN INCHES
TOLERANCES:
FRACTIONAL ±
ANGULAR: MACH ± BEND ±
TWO PLACE DECIMAL ±
THREE PLACE DECIMAL ±
INTERPRET GEOMETRIC TOLERANCING PER:
MATERIAL POLYESTER RESIN
FINISH
DO NOT SCALE DRAWING

| | |
|-----------|-----------|
| NAME | DATE |
| LVR | 8/31/2020 |
| DRAWN | |
| CHECKED | |
| ENG APPR. | |
| MFG APPR. | |
| Q.A. | |
| COMMENTS: | |

| | | | |
|---|--------------|---|--|
|  | | 10478 Ridge Rd., Medina NY 14103 Toll Free: 888-290-9522 Phone: 585-735-9668 | |
| TITLE: | | 3.0H FLUME | |
| Project: | | NO OPTIONS | |
| SIZE | DWG. NO. | REV | |
| B | | A | |
| SCALE: 1:14 | Weight 79.84 | SHEET 3 OF 5 | |



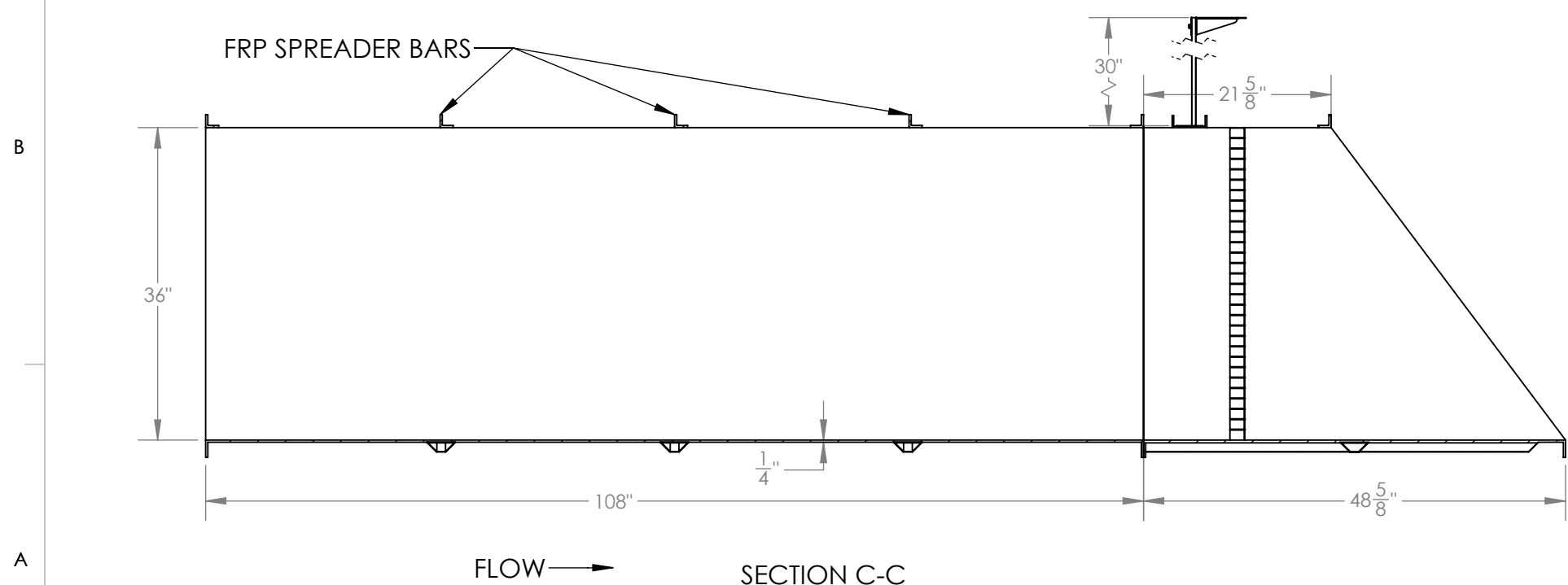
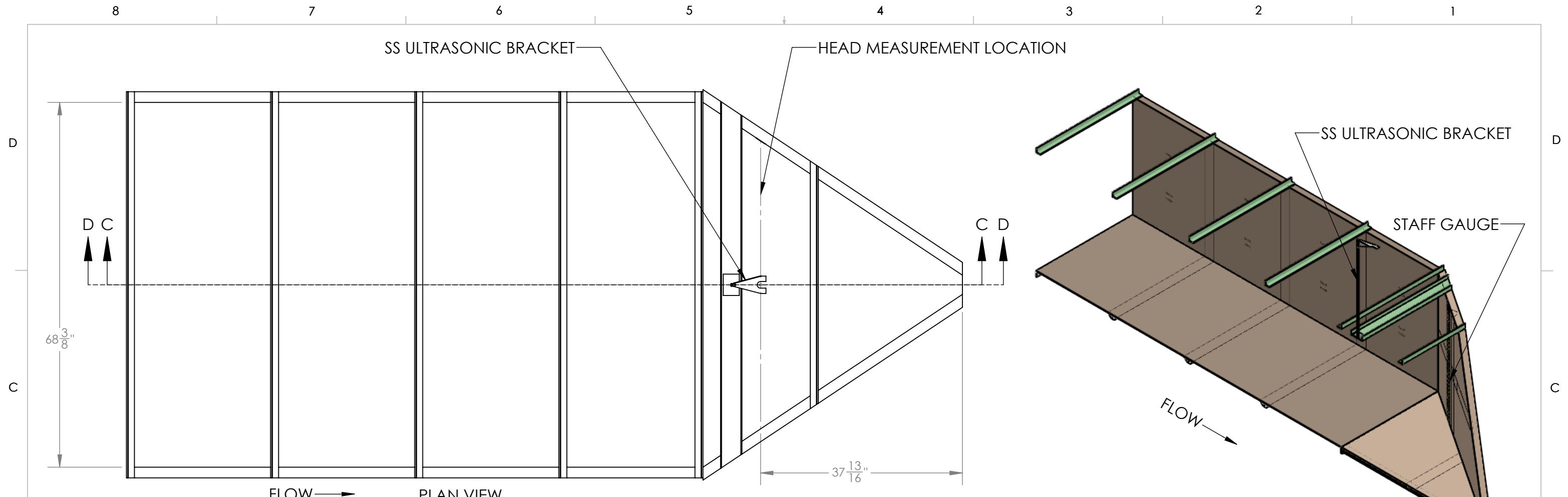
3rd ANGLE PROJECTION


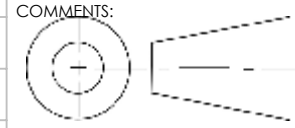


PROPRIETARY AND CONFIDENTIAL
 THE INFORMATION CONTAINED IN THIS DRAWING IS THE SOLE PROPERTY OF Virtual Polymer Compounds, LLC. ANY REPRODUCTION IN PART OR AS A WHOLE WITHOUT THE WRITTEN PERMISSION OF Virtual Polymer Compounds, LLC IS PROHIBITED.

| | | |
|--------------------------------------|----------------------|---------------|
| UNLESS OTHERWISE SPECIFIED: | NAME | DATE |
| DIMENSIONS ARE IN INCHES | DRAWN | LVR 8/31/2020 |
| TOLERANCES: | CHECKED | |
| FRACTIONAL ± | ENG APPR. | |
| ANGULAR: MACH ± BEND ± | MFG APPR. | |
| TWO PLACE DECIMAL ± | Q.A. | |
| THREE PLACE DECIMAL ± | COMMENTS: | |
| INTERPRET GEOMETRIC TOLERANCING PER: | | |
| MATERIAL: POLYESTER RESIN | 3rd ANGLE PROJECTION | |
| FINISH: | | |
| DO NOT SCALE DRAWING | | |

| | | | |
|-------------|---------------|---|--|
| | | 10478 Ridge Rd., Medina NY 14103 Toll Free: 888-290-9522 Phone: 585-735-9668 | |
| TITLE: | | 3.0H FLUME | |
| Project: | | WITH OPTIONS | |
| SIZE | DWG. NO. | REV | |
| B | | A | |
| SCALE: 1:20 | Weight 314.36 | SHEET 4 OF 5 | |



| | | | | |
|---|--|-----------|---------------|---|
| UNLESS OTHERWISE SPECIFIED: | | NAME | DATE |  VPC 10478 Ridge Rd., Medina NY 14103 Toll Free: 888-290-9522 Phone: 585-735-9668 |
| DIMENSIONS ARE IN INCHES TOLERANCES: FRACTIONAL ± ANGULAR: MACH ± BEND ± TWO PLACE DECIMAL ± THREE PLACE DECIMAL ± | | DRAWN | LVR 8/31/2020 | |
| INTERPRET GEOMETRIC TOLERANCING PER: | | CHECKED | | TITLE: 3.0H FLUME |
| MATERIAL POLYESTER RESIN FINISH | | ENG APPR. | | Project: WITH OPTIONS |
| DO NOT SCALE DRAWING | | MFG APPR. | | SIZE B DWG. NO. REV A |
| 3rd ANGLE PROJECTION | | Q.A. | | SCALE: 1:18 Weight 314.36 SHEET 5 OF 5 |
|  | | COMMENTS: | | |

PROPRIETARY AND CONFIDENTIAL
 THE INFORMATION CONTAINED IN THIS DRAWING IS THE SOLE PROPERTY OF Virtual Polymer Compounds, LLC. ANY REPRODUCTION IN PART OR AS A WHOLE WITHOUT THE WRITTEN PERMISSION OF Virtual Polymer Compounds, LLC IS PROHIBITED.