
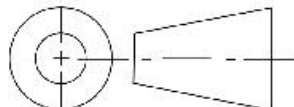
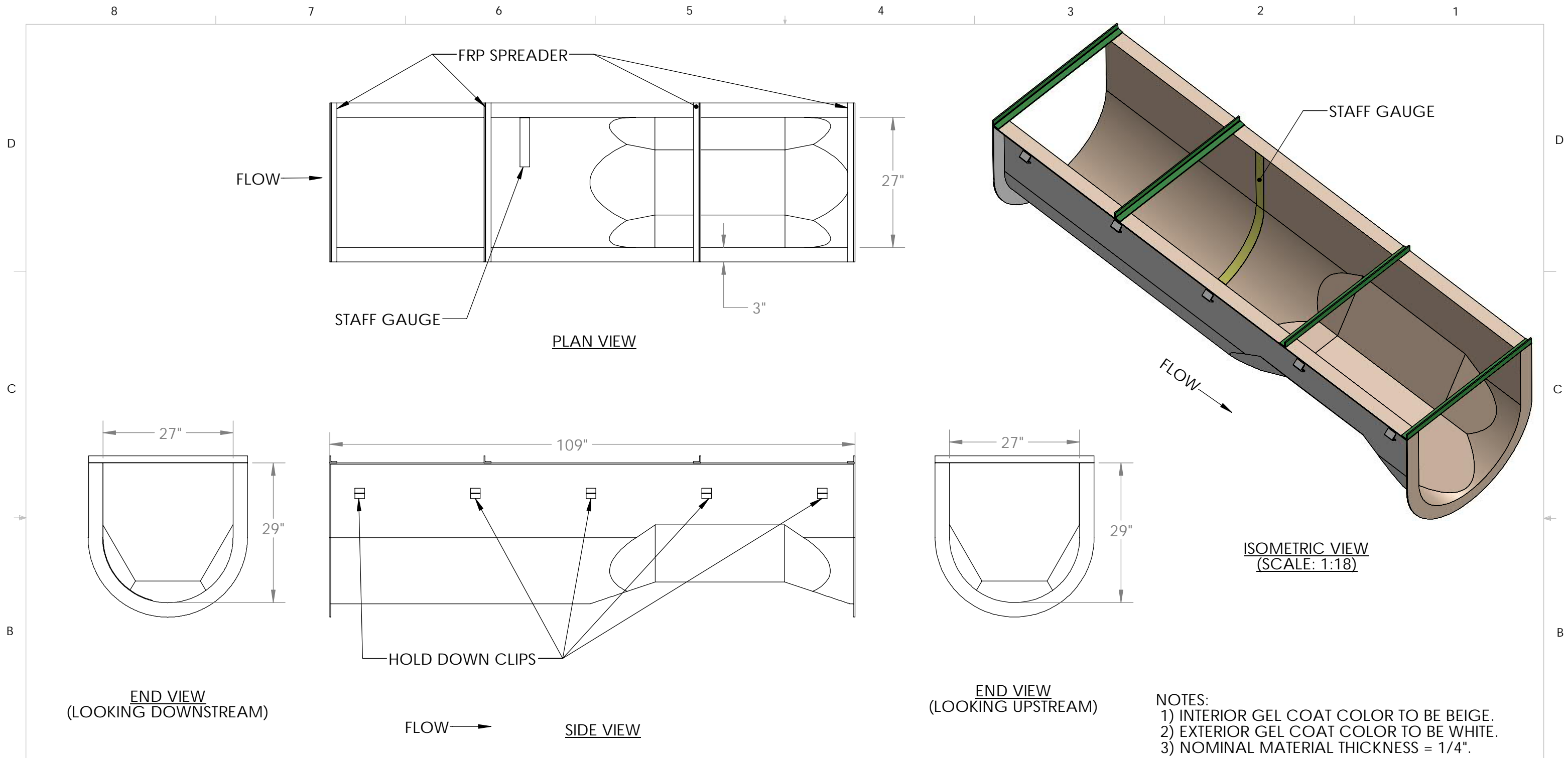


**AVAILABLE OPTIONS:**


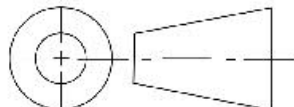
- STAFF GAUGE (ENGLISH OR METRIC).
- STILLING WELL (INTEGRAL OR REMOTE).
- BUBBLER TUBE (SS 1/4" ID, INTEGRAL OR REMOVABLE).
- SAMPLER TUBE (SS 3/8" ID, INTEGRAL OR REMOVABLE).
- INLET AND OUTLET PIPE STUBS.
- FLARED INLET AND OUTLET TRANSITIONS PIPE STUBS.
- INLET AND OUTLET BULKHEADS.
- RUBBER PIPE COUPLERS W/ SS CLAMP BANDS.
- ADJUSTABLE SS ULTRASONIC BRACKET.
- PH PROBE CAVITY.
- ENERGY ABSORBING RACKS. (FIXED OR REMOVABLE).
- STANDARD OR SPECIAL DEPTHS (INCLUDING SURGE BOXES).
- FLUME COVERS (GRATING, FIBER SHEETING, CLEAR POLYCARBONATE).
- CUT BACK DESIGN.
- INSERT DESIGN.
- SPECIAL DESIGN (TO MEET SPECIAL PROJECT NEEDS).
- STANDARD COLOR IS BEIGE (CUSTOM COLORS AVAILABLE).

UNLESS OTHERWISE SPECIFIED:		NAME	DATE	 <b>VPC</b> FIBERGLASS 10478 Ridge Rd., Medina NY 14103 Toll Free: 888-290-9522 Phone: 585-735-9668			
DIMENSIONS ARE IN INCHES		DRAWN	LVR		10/6/2020		
TOLERANCES:		CHECKED			TITLE:	27 IN PALMER BOWLUS FLUME	
FRACTIONAL ±		ENG APPR.			Project:	WITH OPTIONS	
ANGULAR: MACH ± BEND ±		MFG APPR.			SIZE	DWG. NO.	REV
TWO PLACE DECIMAL ±		Q.A.			<b>B</b>		<b>A</b>
THREE PLACE DECIMAL ±		 3rd ANGLE PROJECTION		SCALE: 1:14		Weight 138.69	SHEET 1 OF 5
INTERPRET GEOMETRIC TOLERANCING PER:		DO NOT SCALE DRAWING					
MATERIAL							
FINISH							

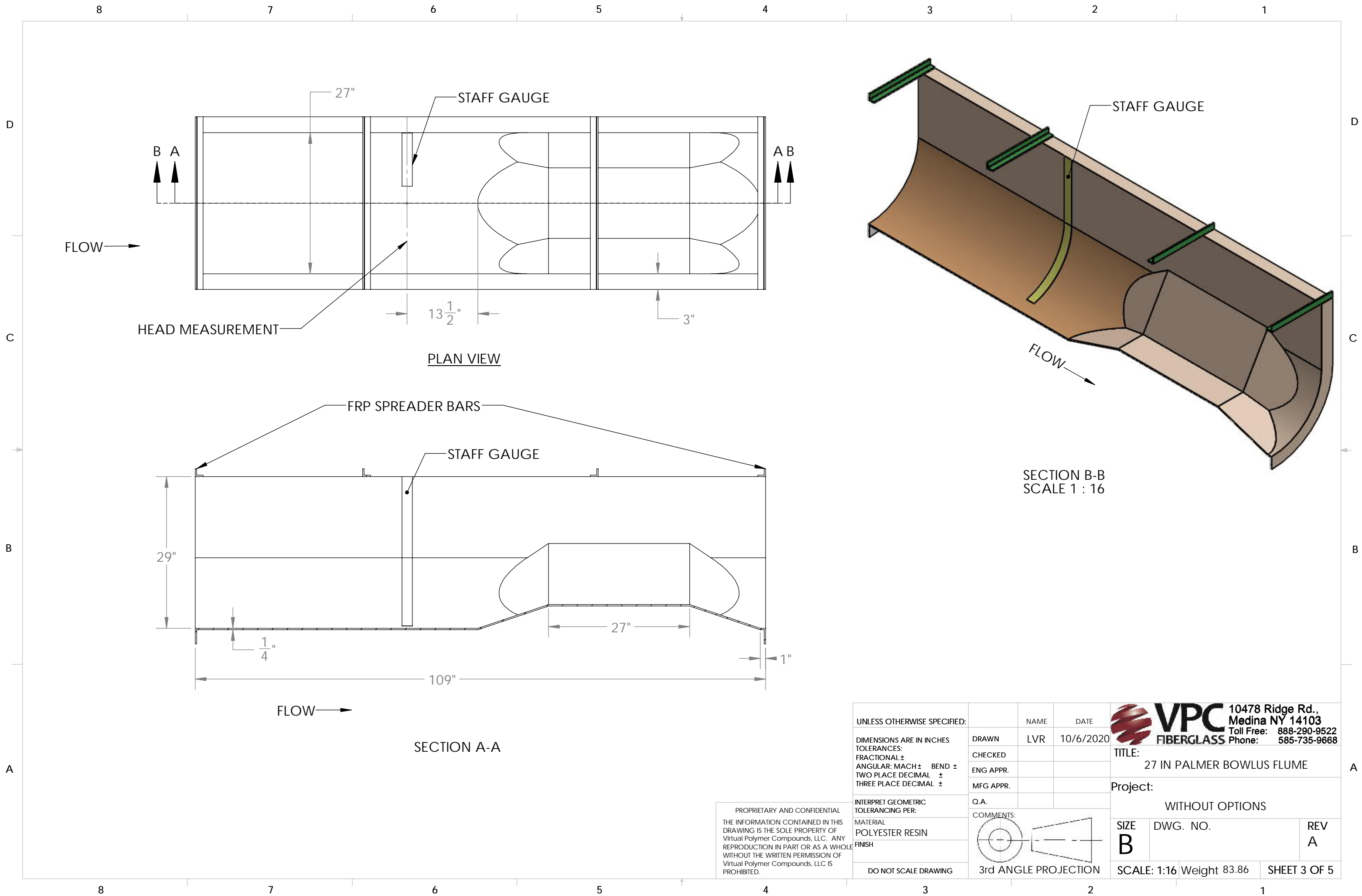
PROPRIETARY AND CONFIDENTIAL  
 THE INFORMATION CONTAINED IN THIS DRAWING IS THE SOLE PROPERTY OF VIRTUAL POLYMER COMPOUNDS, LLC. ANY REPRODUCTION IN PART OR AS A WHOLE WITHOUT THE WRITTEN PERMISSION OF VIRTUAL POLYMER COMPOUNDS, LLC IS PROHIBITED.



- NOTES:
- 1) INTERIOR GEL COAT COLOR TO BE BEIGE.
  - 2) EXTERIOR GEL COAT COLOR TO BE WHITE.
  - 3) NOMINAL MATERIAL THICKNESS = 1/4".

UNLESS OTHERWISE SPECIFIED:		NAME	DATE	 <b>VPC</b> FIBERGLASS 10478 Ridge Rd., Medina NY 14103 Toll Free: 888-290-9522 Phone: 585-735-9668	
DIMENSIONS ARE IN INCHES		DRAWN	LVR		10/6/2020
TOLERANCES:		CHECKED			
FRACTIONAL ±		ENG APPR.			
ANGULAR: MACH ± BEND ±		MFG APPR.			
TWO PLACE DECIMAL ±		Q.A.			
THREE PLACE DECIMAL ±				TITLE: 27 IN PALMER BOWLUS FLUME	
INTERPRET GEOMETRIC TOLERANCING PER:				Project: WITHOUT OPTIONS	
MATERIAL POLYESTER RESIN				SIZE DWG. NO. REV	
FINISH				<b>B</b> <b>A</b>	
DO NOT SCALE DRAWING		 3rd ANGLE PROJECTION		SCALE: 1:20 Weight 83.86 SHEET 2 OF 5	

PROPRIETARY AND CONFIDENTIAL  
 THE INFORMATION CONTAINED IN THIS DRAWING IS THE SOLE PROPERTY OF VIRTUAL POLYMER COMPOUNDS, LLC. ANY REPRODUCTION IN PART OR AS A WHOLE WITHOUT THE WRITTEN PERMISSION OF VIRTUAL POLYMER COMPOUNDS, LLC IS PROHIBITED.



PROPRIETARY AND CONFIDENTIAL  
 THE INFORMATION CONTAINED IN THIS DRAWING IS THE SOLE PROPERTY OF Virtual Polymer Compounds, LLC. ANY REPRODUCTION IN PART OR AS A WHOLE WITHOUT THE WRITTEN PERMISSION OF Virtual Polymer Compounds, LLC IS PROHIBITED.

UNLESS OTHERWISE SPECIFIED:	NAME	DATE
DIMENSIONS ARE IN INCHES	DRAWN	LVR 10/6/2020
TOLERANCES:	CHECKED	
FRACTIONAL ±	ENG APPR.	
ANGULAR: MACH ± BEND ±	MFG APPR.	
TWO PLACE DECIMAL ±	Q.A.	
THREE PLACE DECIMAL ±	COMMENTS:	
INTERPRET GEOMETRIC TOLERANCING PER:		
MATERIAL	POLYESTER RESIN	
FINISH	DO NOT SCALE DRAWING	

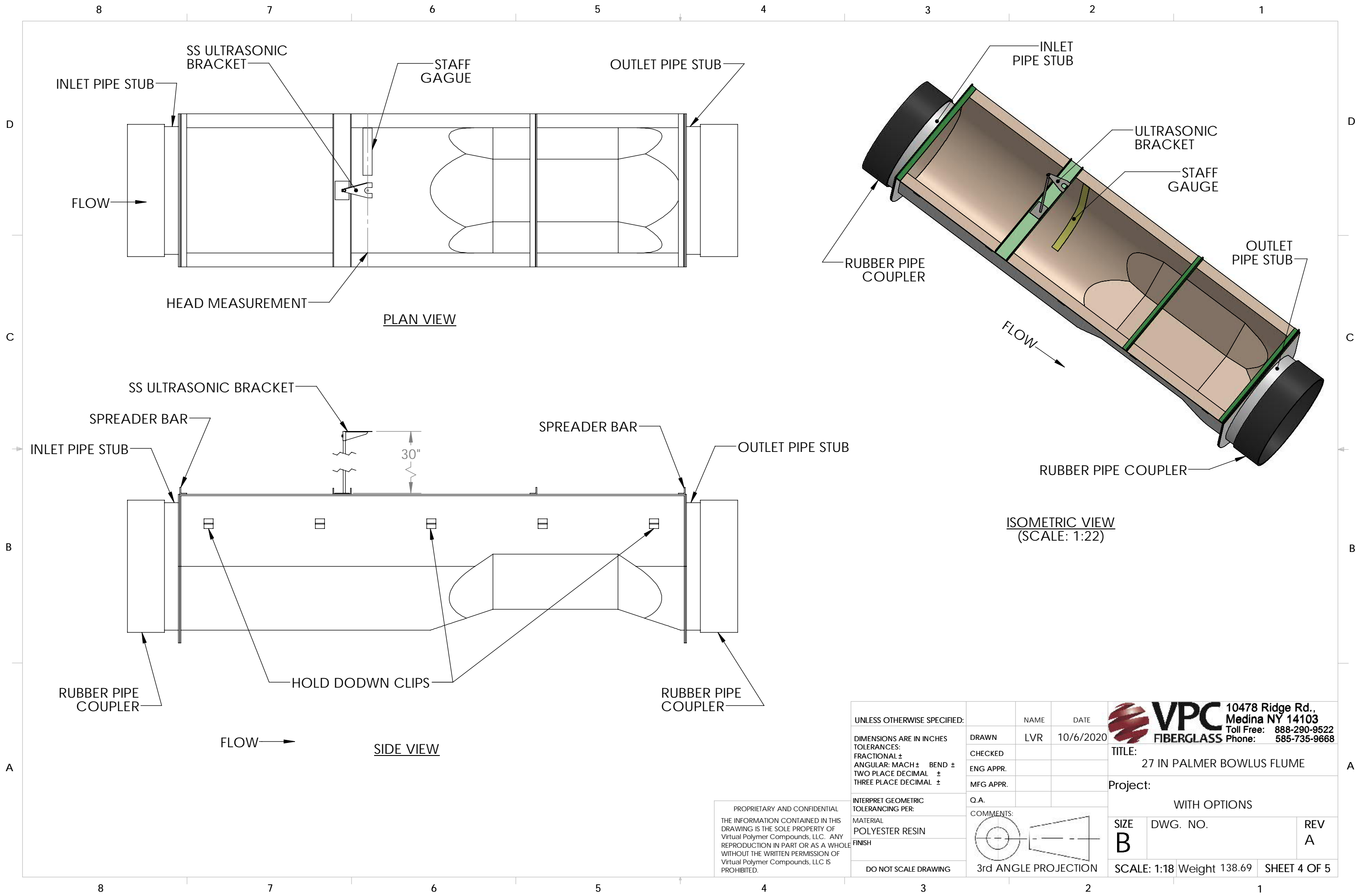
**VPC FIBERGLASS** 10478 Ridge Rd., Medina NY 14103  
 Toll Free: 888-290-9522 Phone: 585-735-9668

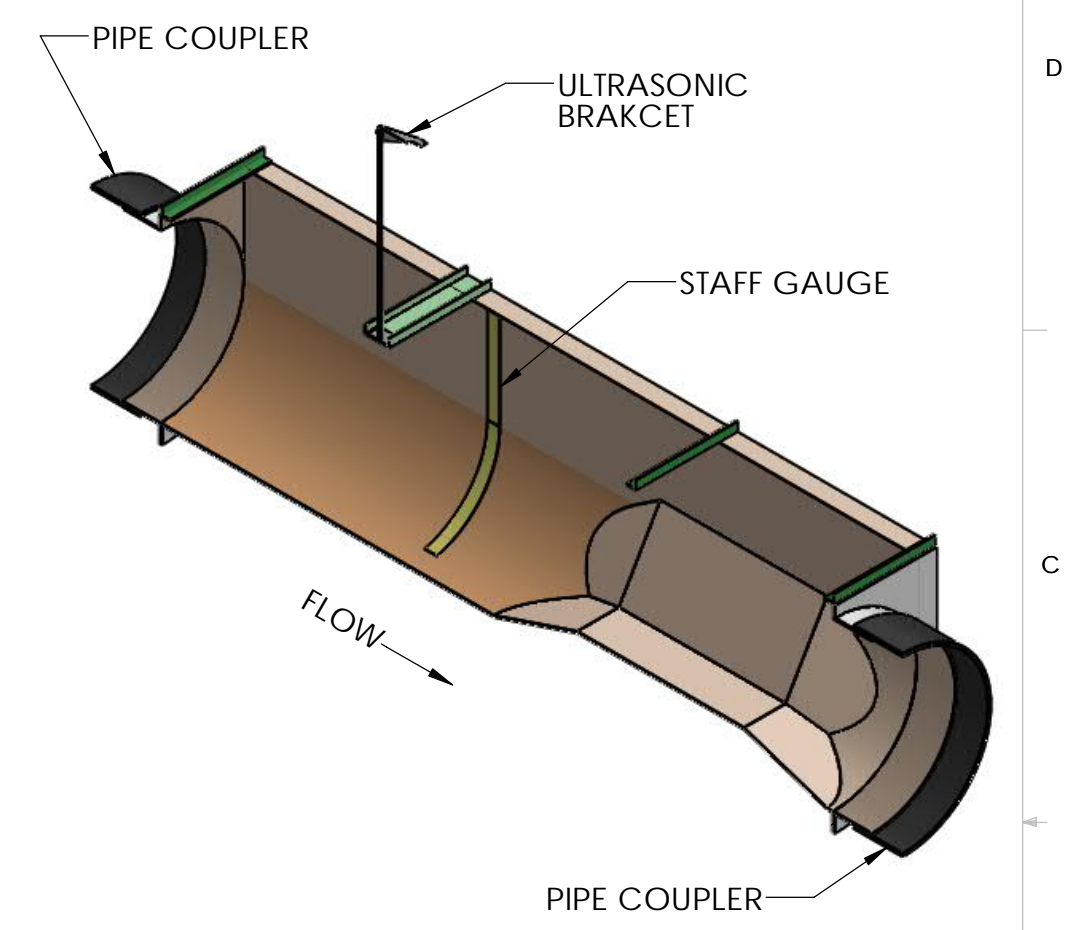
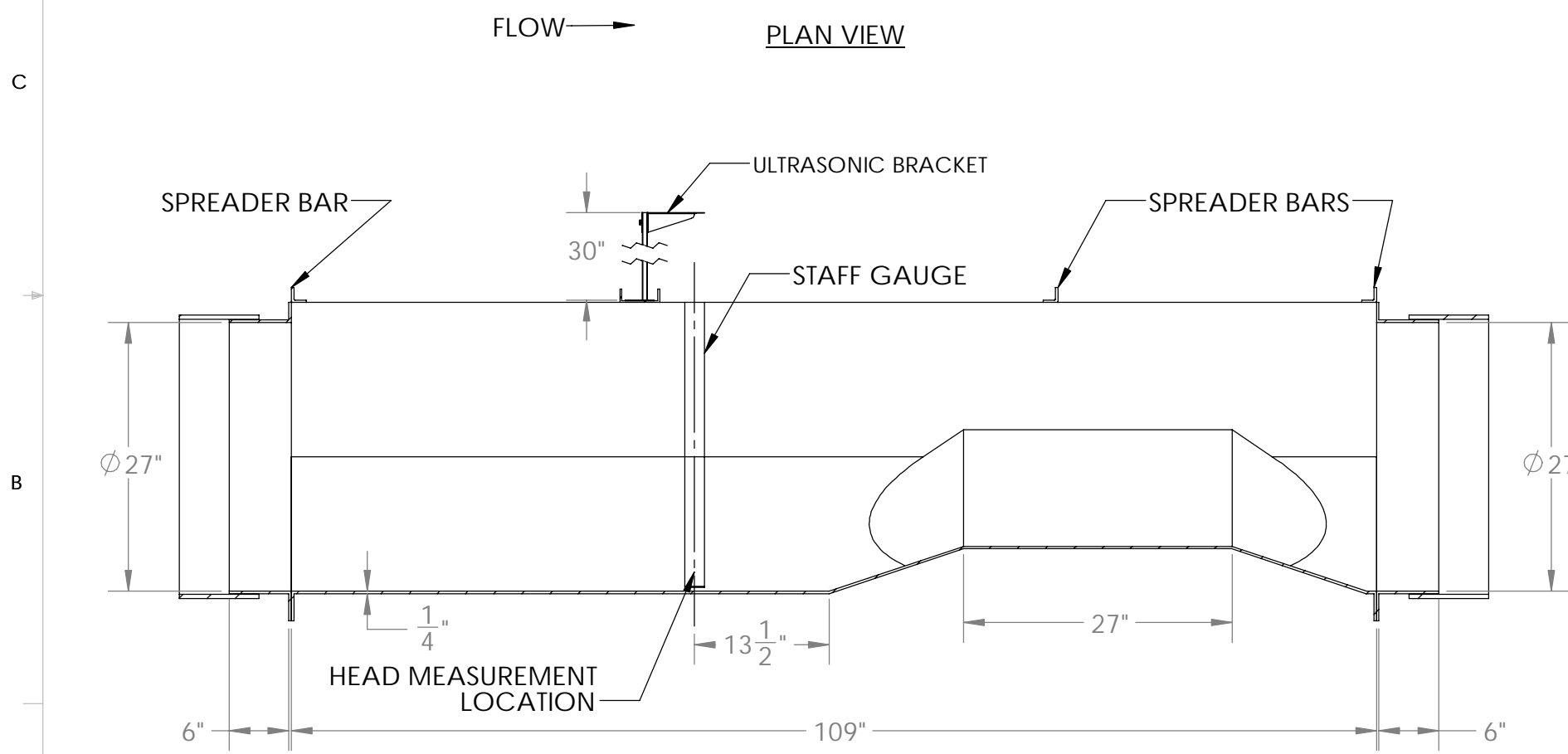
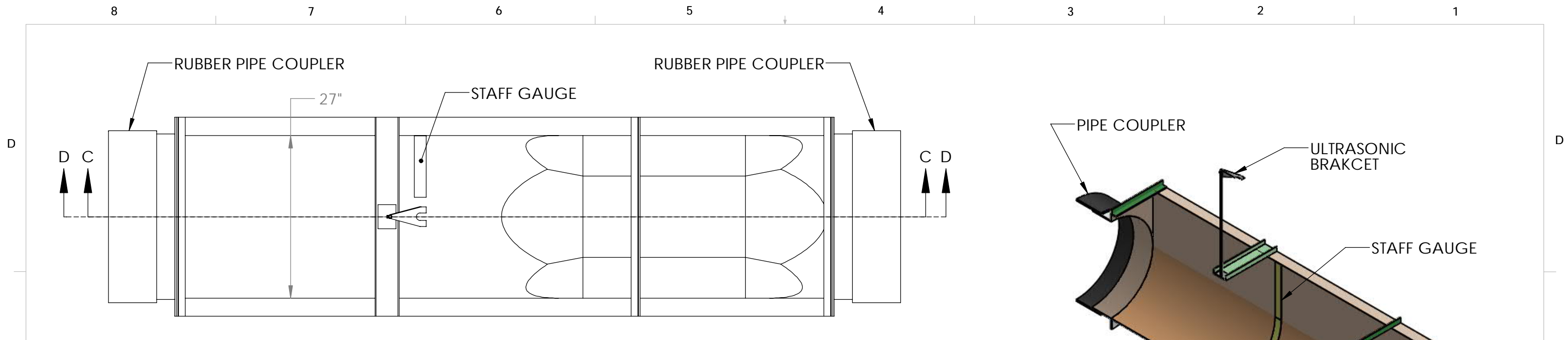
**TITLE:** 27 IN PALMER BOWLUS FLUME

**Project:** WITHOUT OPTIONS


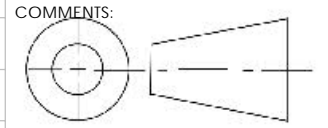
SIZE	DWG. NO.	REV
<b>B</b>		<b>A</b>

SCALE: 1:16 Weight 83.86 SHEET 3 OF 5





SECTION D-D  
SCALE 1 : 22

UNLESS OTHERWISE SPECIFIED:		NAME	DATE	 <b>VPC</b> 10478 Ridge Rd., Medina NY 14103 Toll Free: 888-290-9522 Phone: 585-735-9668
DIMENSIONS ARE IN INCHES TOLERANCES: FRACTIONAL ± ANGULAR: MACH ± BEND ± TWO PLACE DECIMAL ± THREE PLACE DECIMAL ±		DRAWN	LVR 10/6/2020	
INTERPRET GEOMETRIC TOLERANCING PER:		CHECKED		TITLE: 27 IN PALMER BOWLUS FLUME
MATERIAL POLYESTER RESIN FINISH		ENG APPR.		Project: WITH OPTIONS
DO NOT SCALE DRAWING		MFG APPR.		SIZE <b>B</b>
PROPRIETARY AND CONFIDENTIAL THE INFORMATION CONTAINED IN THIS DRAWING IS THE SOLE PROPERTY OF Virtual Polymer Compounds, LLC. ANY REPRODUCTION IN PART OR AS A WHOLE WITHOUT THE WRITTEN PERMISSION OF Virtual Polymer Compounds, LLC IS PROHIBITED.		Q.A.		DWG. NO.
 3rd ANGLE PROJECTION		COMMENTS:		REV A
				SCALE: 1:16 Weight 138.69 SHEET 5 OF 5