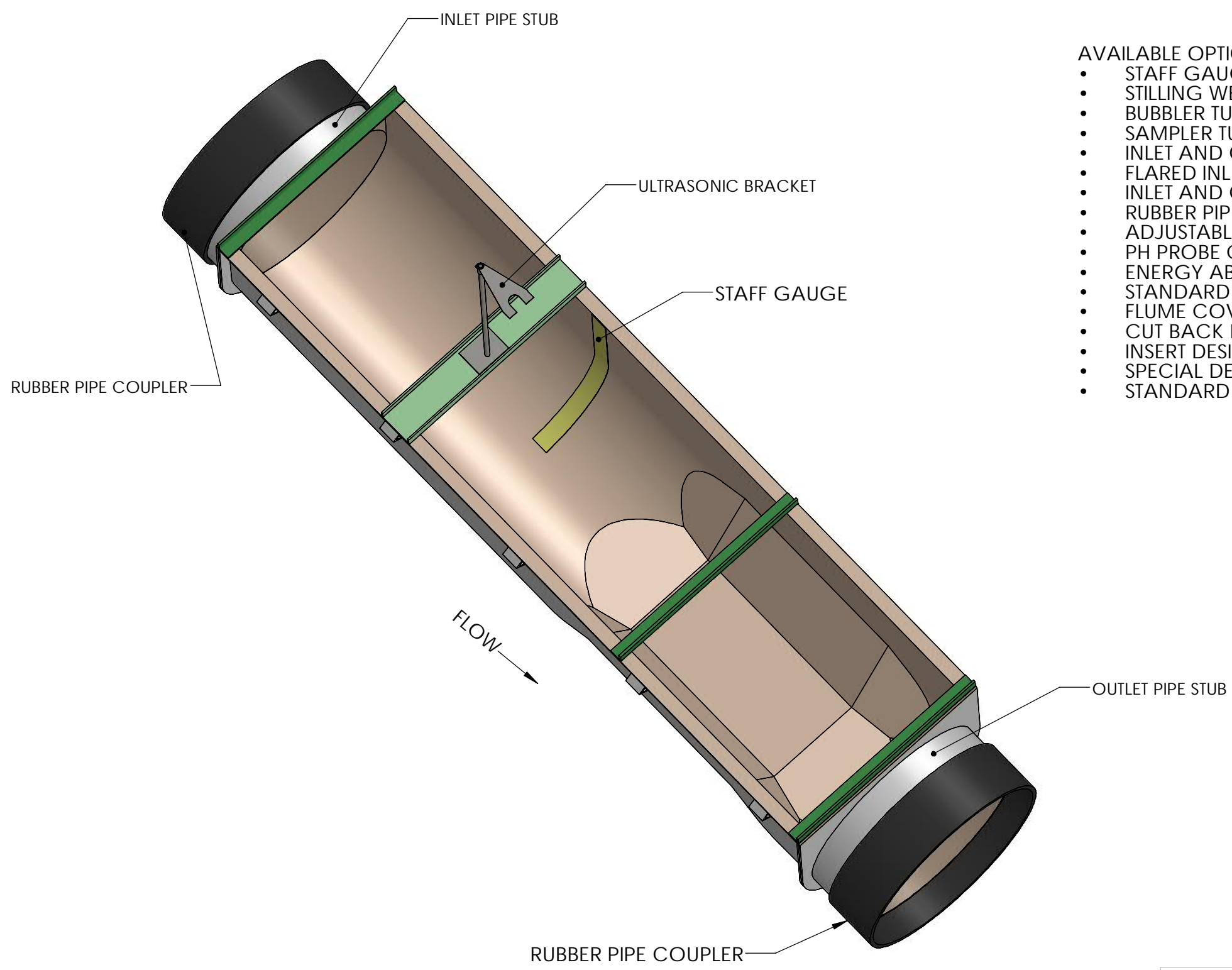


8 7 6 5 4 3 2 1

D  
C  
B  
A

D  
C  
B  
A

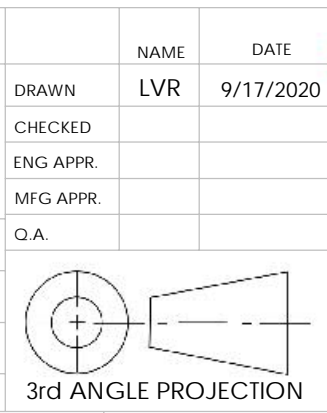



**AVAILABLE OPTIONS:**

- STAFF GAUGE (ENGLISH OR METRIC).
- STILLING WELL (INTEGRAL OR REMOTE).
- BUBBLER TUBE (SS 1/4" ID, INTEGRAL OR REMOVABLE).
- SAMPLER TUBE (SS 3/8" ID, INTEGRAL OR REMOVABLE).
- INLET AND OUTLET PIPE STUBS.
- FLARED INLET AND OUTLET TRANSITIONS PIPE STUBS.
- INLET AND OUTLET BULKHEADS.
- RUBBER PIPE COUPLERS W/ SS CLAMP BANDS.
- ADJUSTABLE SS ULTRASONIC BRACKET.
- PH PROBE CAVITY.
- ENERGY ABSORBING RACKS. (FIXED OR REMOVABLE).
- STANDARD OR SPECIAL DEPTHS (INCLUDING SURGE BOXES).
- FLUME COVERS (GRATING, FIBER SHEETING, CLEAR POLYCARBONATE).
- CUT BACK DESIGN.
- INSERT DESIGN.
- SPECIAL DESIGN (TO MEET SPECIAL PROJECT NEEDS).
- STANDARD COLOR IS BEIGE (CUSTOM COLORS AVAILABLE).

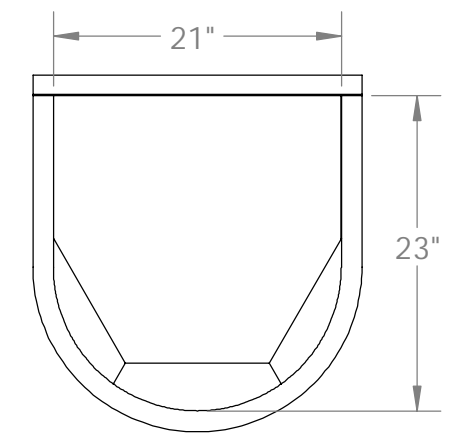
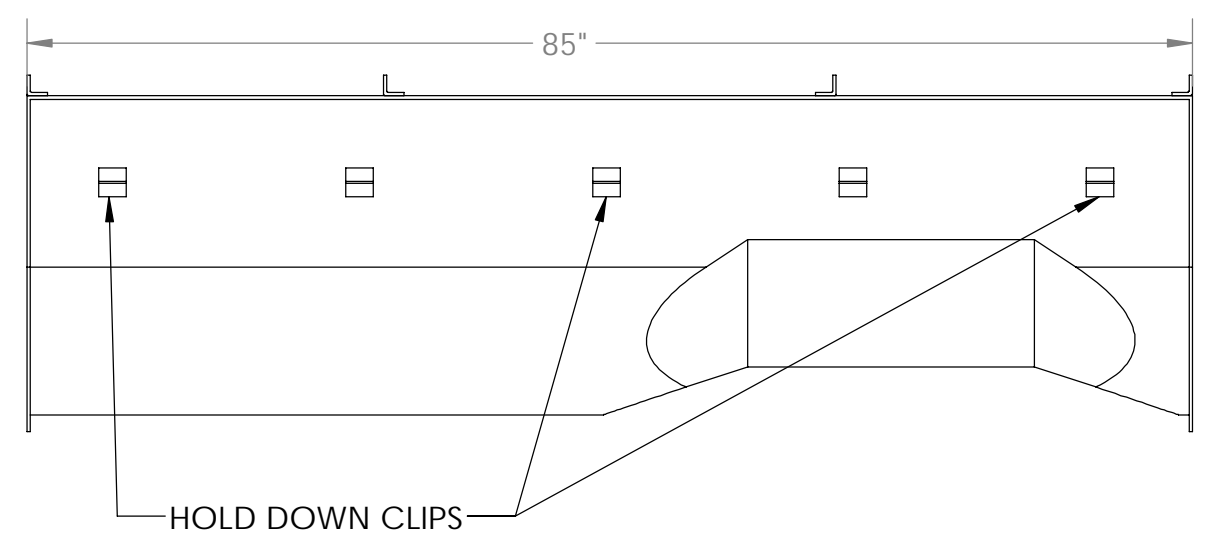
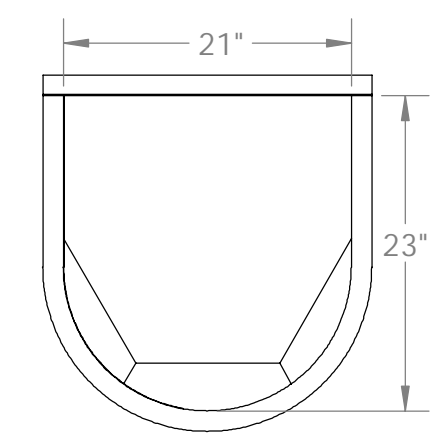
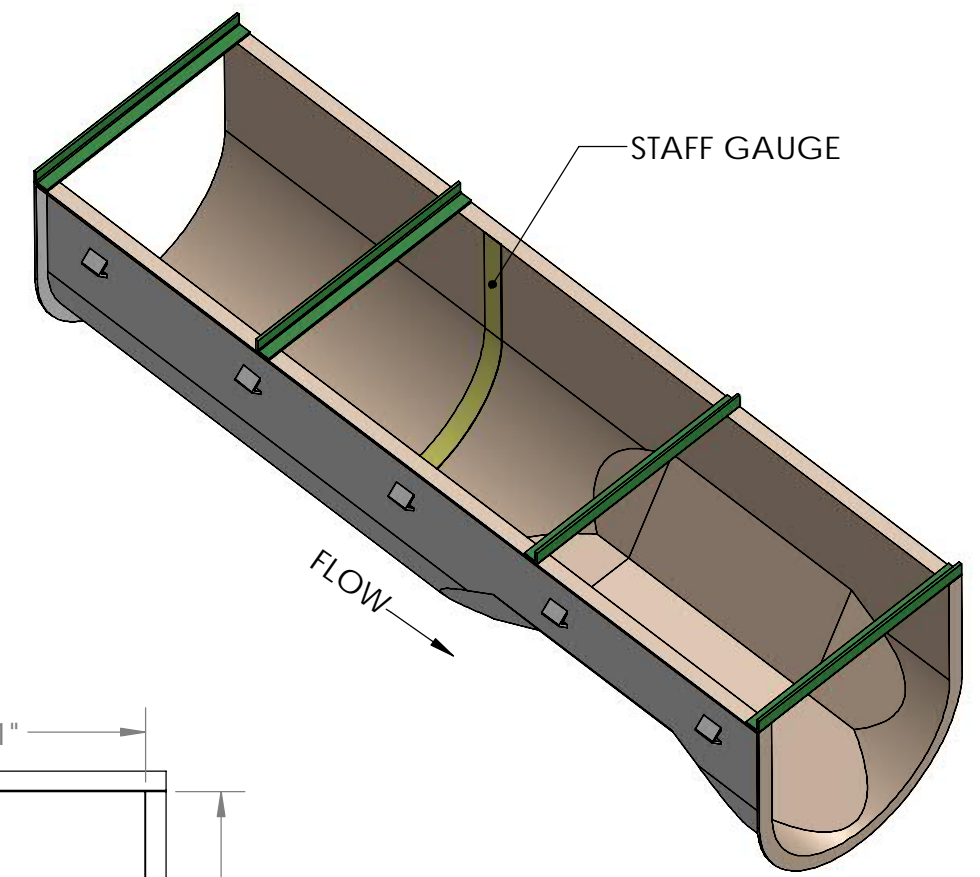
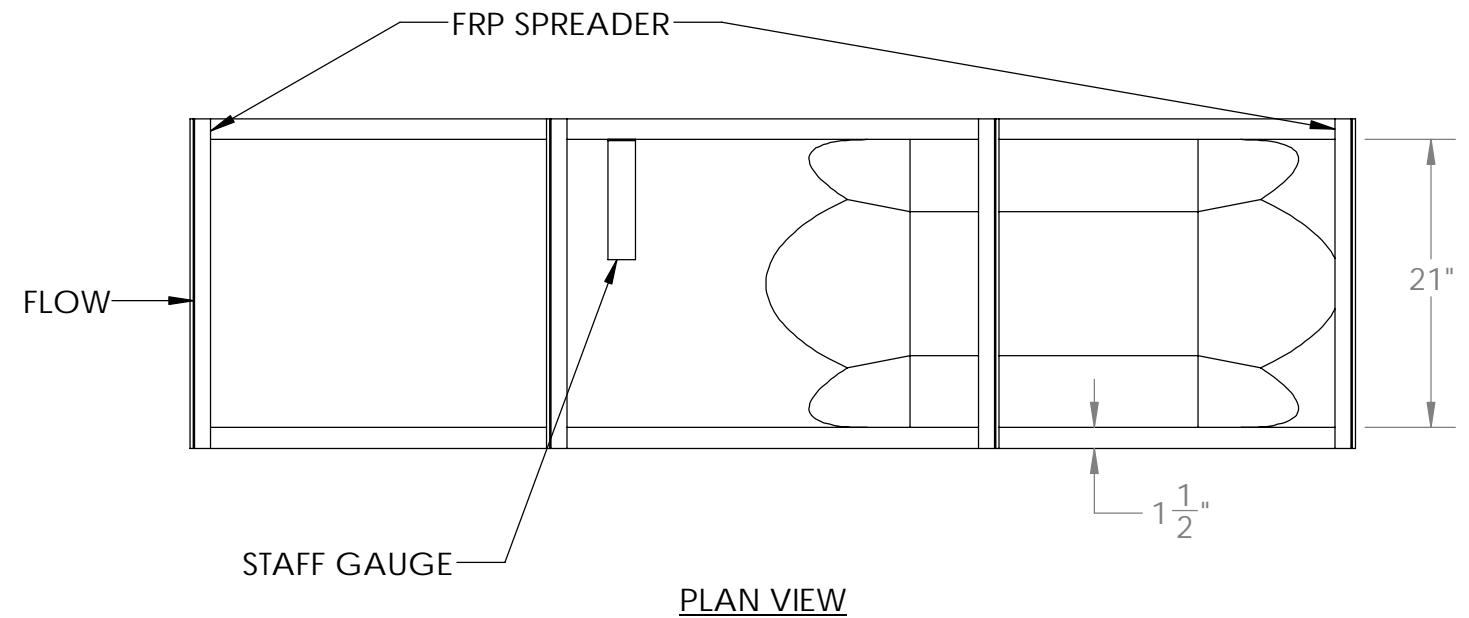
PROPRIETARY AND CONFIDENTIAL  
 THE INFORMATION CONTAINED IN THIS  
 DRAWING IS THE SOLE PROPERTY OF  
 VIRTUAL POLYMER COMPOUNDS, LLC. ANY  
 REPRODUCTION IN PART OR AS A WHOLE  
 WITHOUT THE WRITTEN PERMISSION OF  
 VIRTUAL POLYMER COMPOUNDS, LLC IS  
 PROHIBITED.

UNLESS OTHERWISE SPECIFIED:		NAME	DATE
DIMENSIONS ARE IN INCHES	DRAWN	LVR	9/17/2020
TOLERANCES:	CHECKED		
FRACTIONAL ±	ENG APPR.		
ANGULAR: MACH ± BEND ±	MFG APPR.		
TWO PLACE DECIMAL ±	Q.A.		
THREE PLACE DECIMAL ±			
INTERPRET GEOMETRIC TOLERANCING PER:			
MATERIAL			
POLYESTER RESIN			
FINISH			
DO NOT SCALE DRAWING			



		10478 Ridge Rd., Medina NY 14103 Toll Free: 888-290-9522 Phone: 585-735-9668	
TITLE: 21 IN PALMER BOWLUS FLUME		Project: WITH OPTIONS	
SIZE <b>B</b>	DWG. NO.	REV A	
SCALE: 1:12 Weight 84.37		SHEET 1 OF 5	

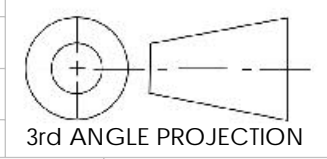
8 7 6 5 4 3 2 1



- NOTES:
- 1) INTERIOR GEL COAT COLOR TO BE BEIGE.
  - 2) EXTERIOR GEL COAT COLOR TO BE WHITE.
  - 3) NOMINAL MATERIAL THICKNESS = 1/4".

PROPRIETARY AND CONFIDENTIAL  
THE INFORMATION CONTAINED IN THIS DRAWING IS THE SOLE PROPERTY OF VIRTUAL POLYMER COMPOUNDS, LLC. ANY REPRODUCTION IN PART OR AS A WHOLE WITHOUT THE WRITTEN PERMISSION OF VIRTUAL POLYMER COMPOUNDS, LLC IS PROHIBITED.

UNLESS OTHERWISE SPECIFIED:	NAME	DATE
DIMENSIONS ARE IN INCHES	DRAWN	LVR 9/17/2020
TOLERANCES:	CHECKED	
FRACTIONAL ±	ENG APPR.	
ANGULAR: MACH ± BEND ±	MFG APPR.	
TWO PLACE DECIMAL ±	Q.A.	
THREE PLACE DECIMAL ±		
INTERPRET GEOMETRIC TOLERANCING PER:		
MATERIAL FINISH		
POLYESTER RESIN		
DO NOT SCALE DRAWING		



**VPC FIBERGLASS** 10478 Ridge Rd., Medina NY 14103  
Toll Free: 888-290-9522 Phone: 585-735-9668

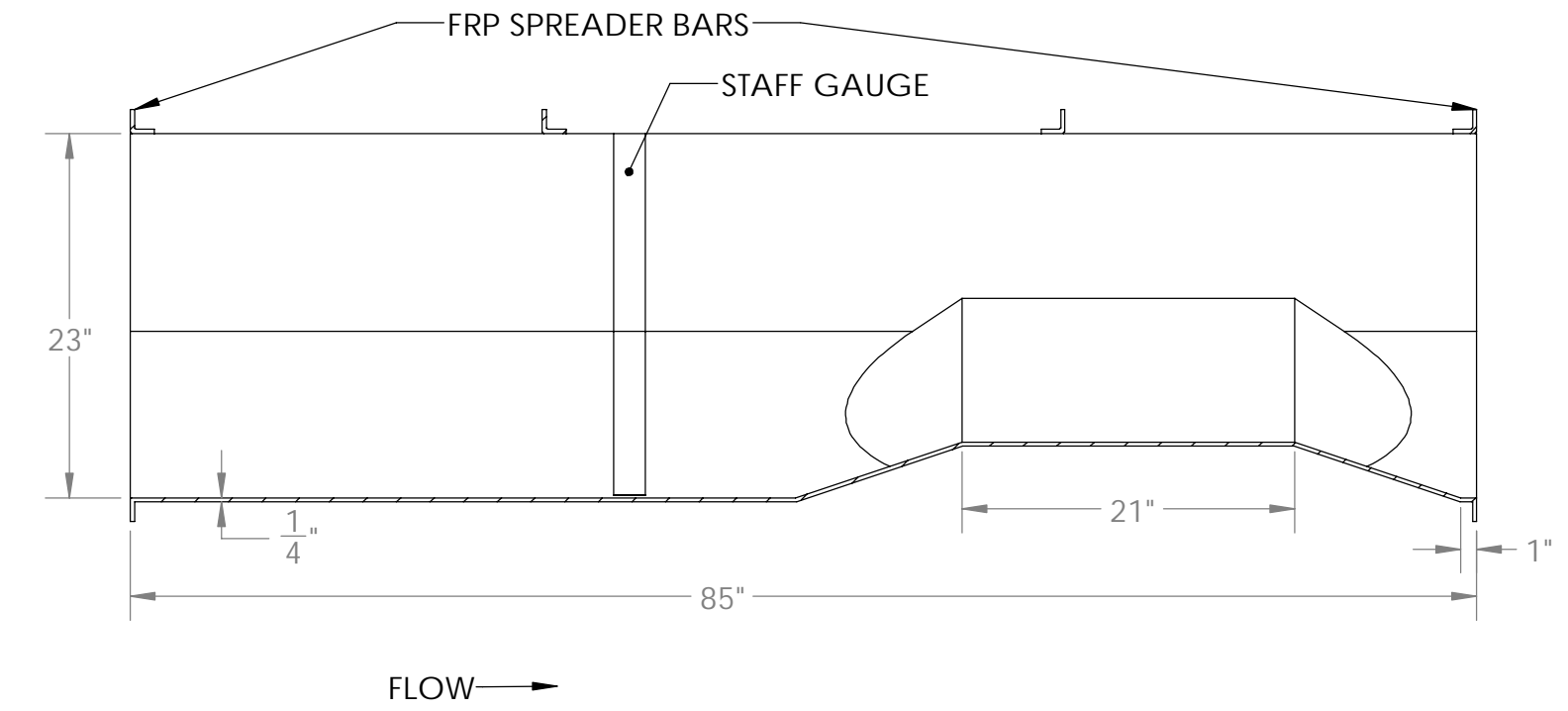
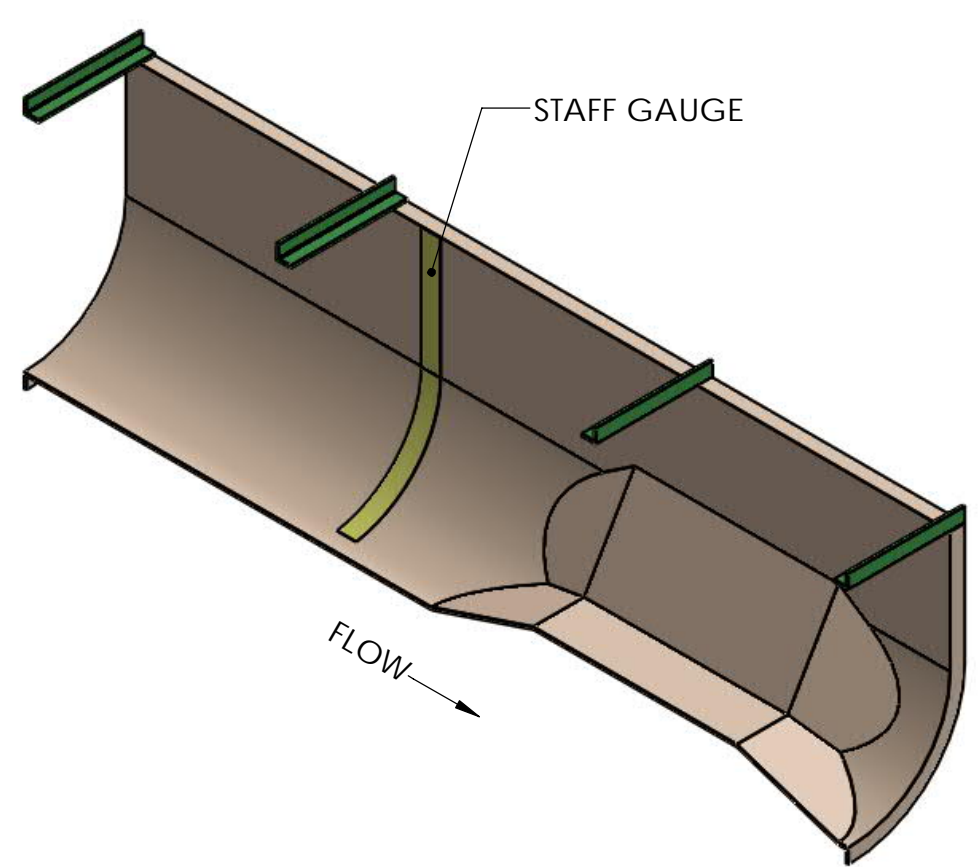
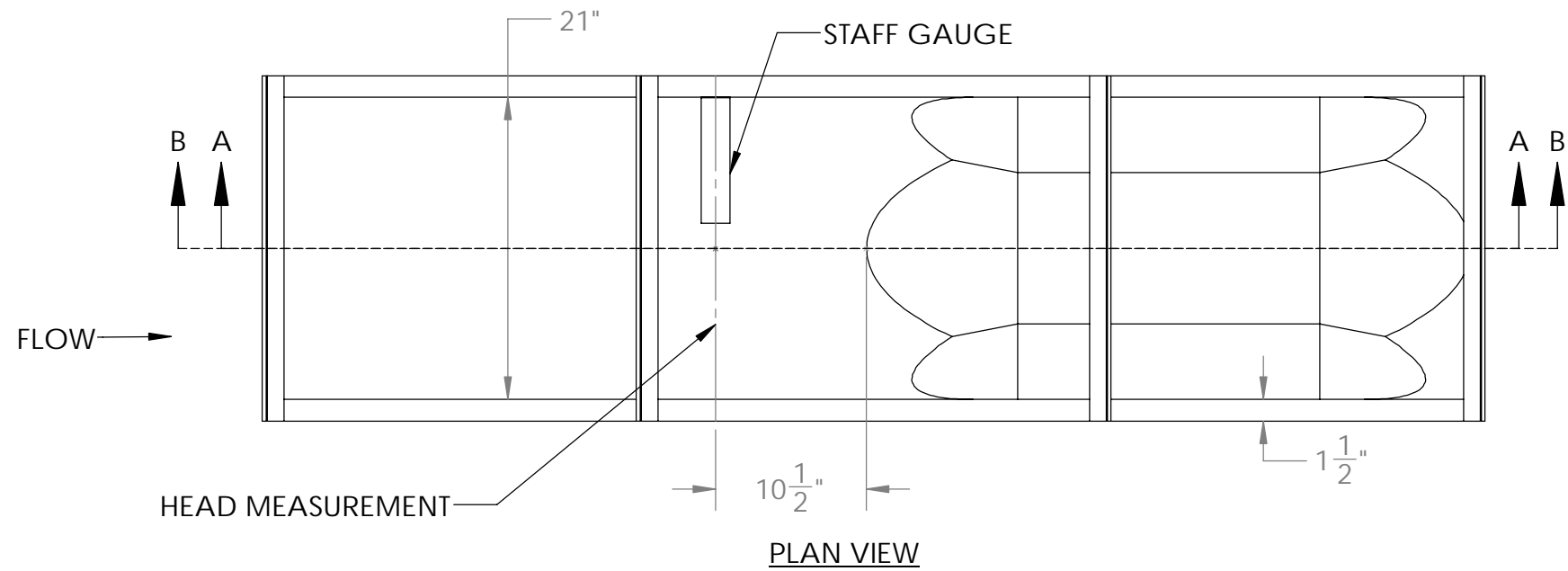
TITLE: 21 IN PALMER BOWLUS FLUME

Project: WITHOUT OPTIONS


SIZE	DWG. NO.	REV
<b>B</b>		<b>A</b>

SCALE: 1:14 Weight 49.85 SHEET 2 OF 5

8 7 6 5 4 3 2 1

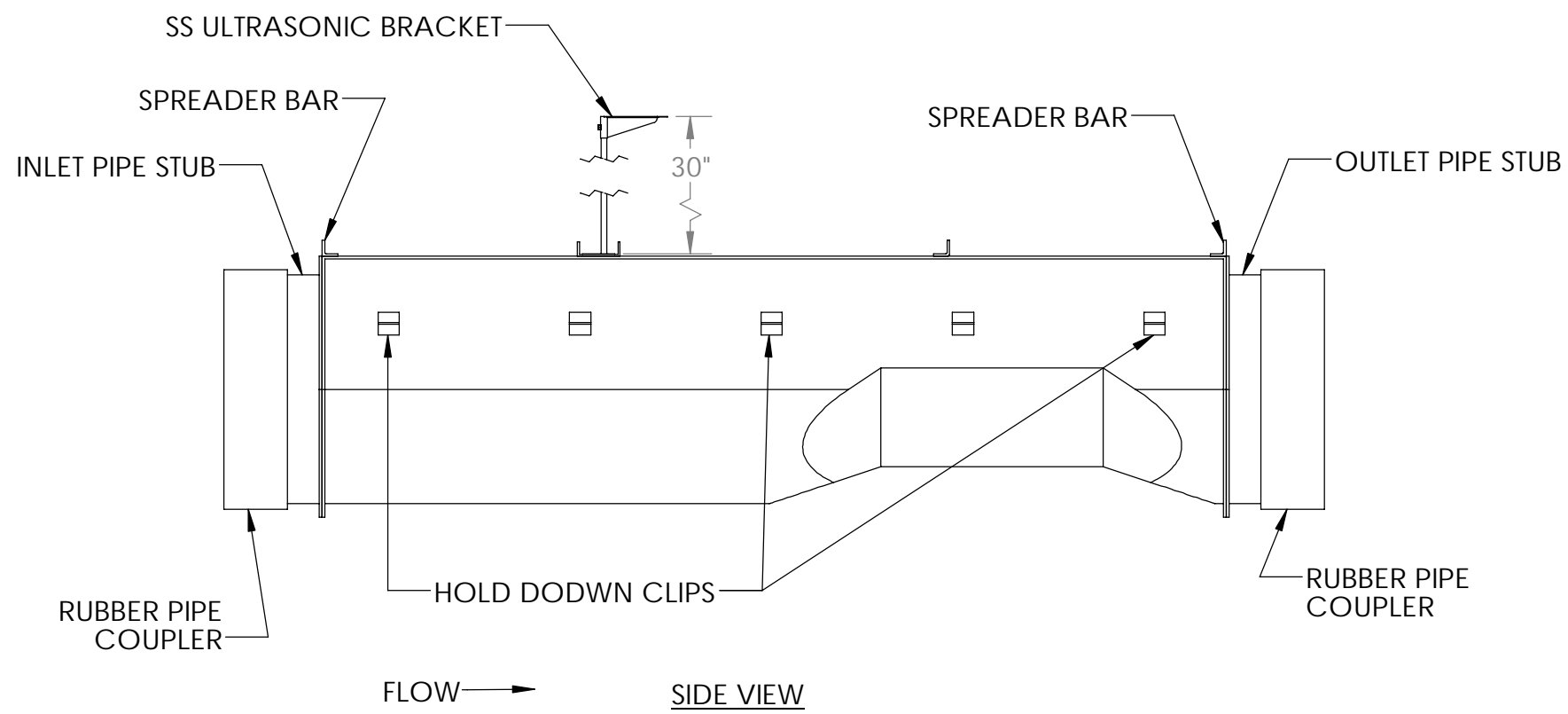
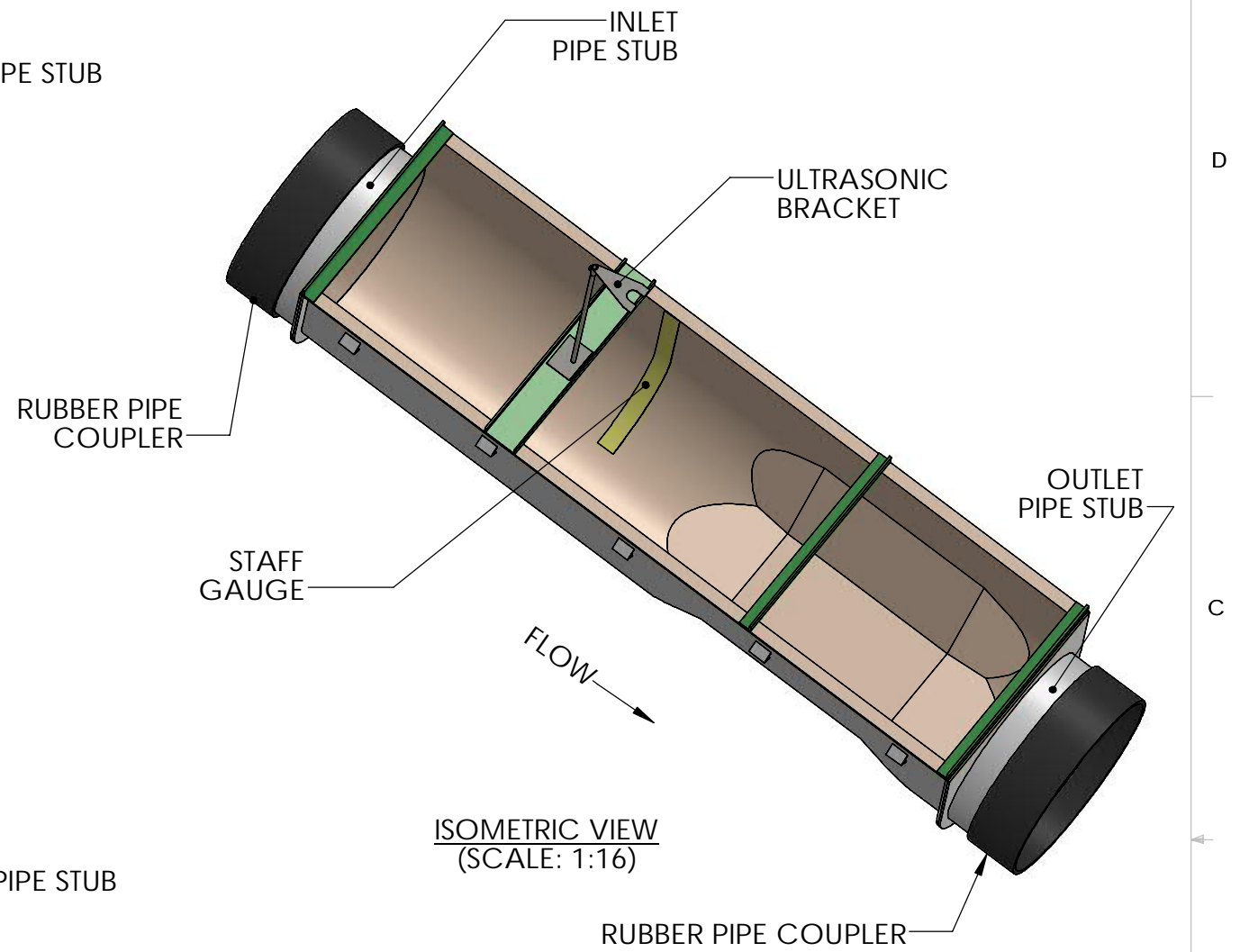
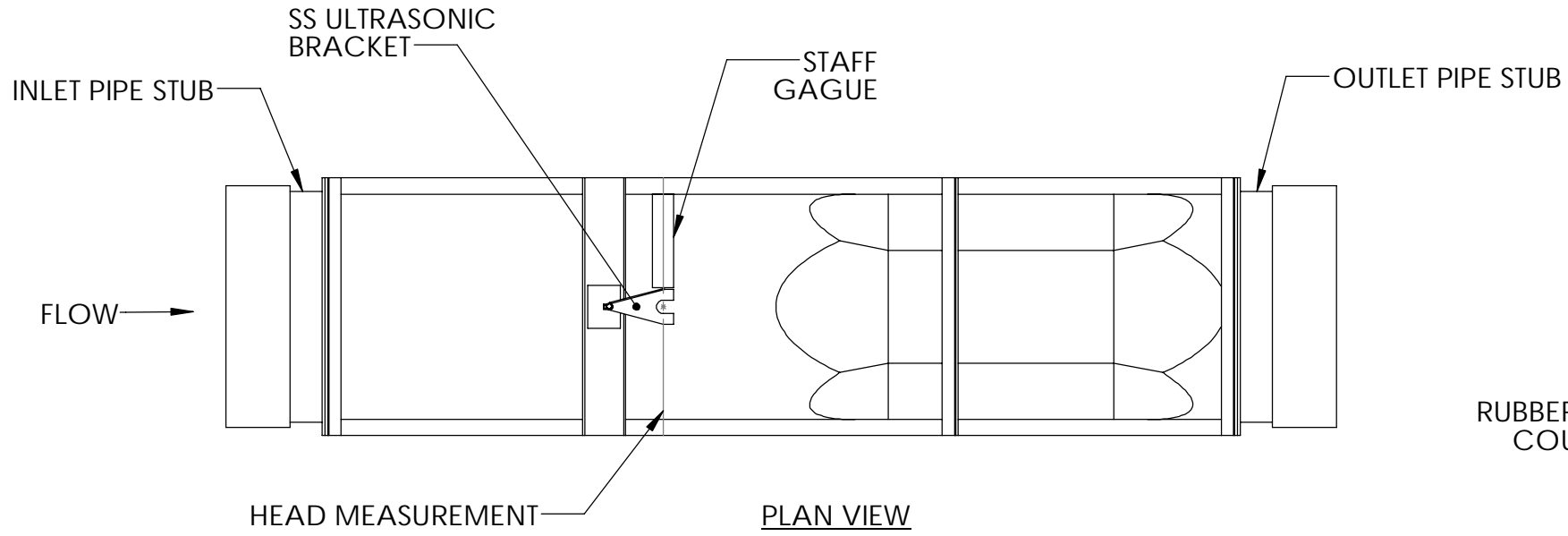



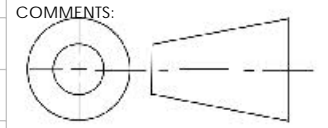
PROPRIETARY AND CONFIDENTIAL  
THE INFORMATION CONTAINED IN THIS DRAWING IS THE SOLE PROPERTY OF Virtual Polymer Compounds, LLC. ANY REPRODUCTION IN PART OR AS A WHOLE WITHOUT THE WRITTEN PERMISSION OF Virtual Polymer Compounds, LLC IS PROHIBITED.

UNLESS OTHERWISE SPECIFIED:		NAME	DATE	 <b>VPC</b> 10478 Ridge Rd., Medina NY 14103 Toll Free: 888-290-9522 Phone: 585-735-9668
DIMENSIONS ARE IN INCHES TOLERANCES: FRACTIONAL ± ANGULAR: MACH ± BEND ± TWO PLACE DECIMAL ± THREE PLACE DECIMAL ±		DRAWN	LVR 9/17/2020	
INTERPRET GEOMETRIC TOLERANCING PER:		CHECKED		TITLE: 21 IN PALMER BOWLUS FLUME
MATERIAL POLYESTER RESIN FINISH		ENG APPR.		Project: WITHOUT OPTIONS
DO NOT SCALE DRAWING		MFG APPR.		SIZE <b>B</b>
3rd ANGLE PROJECTION		Q.A.		DWG. NO.
		COMMENTS:		REV A
				SCALE: 1:12 Weight 49.85 SHEET 3 OF 5

8 7 6 5 4 3 2 1

8 7 6 5 4 3 2 1

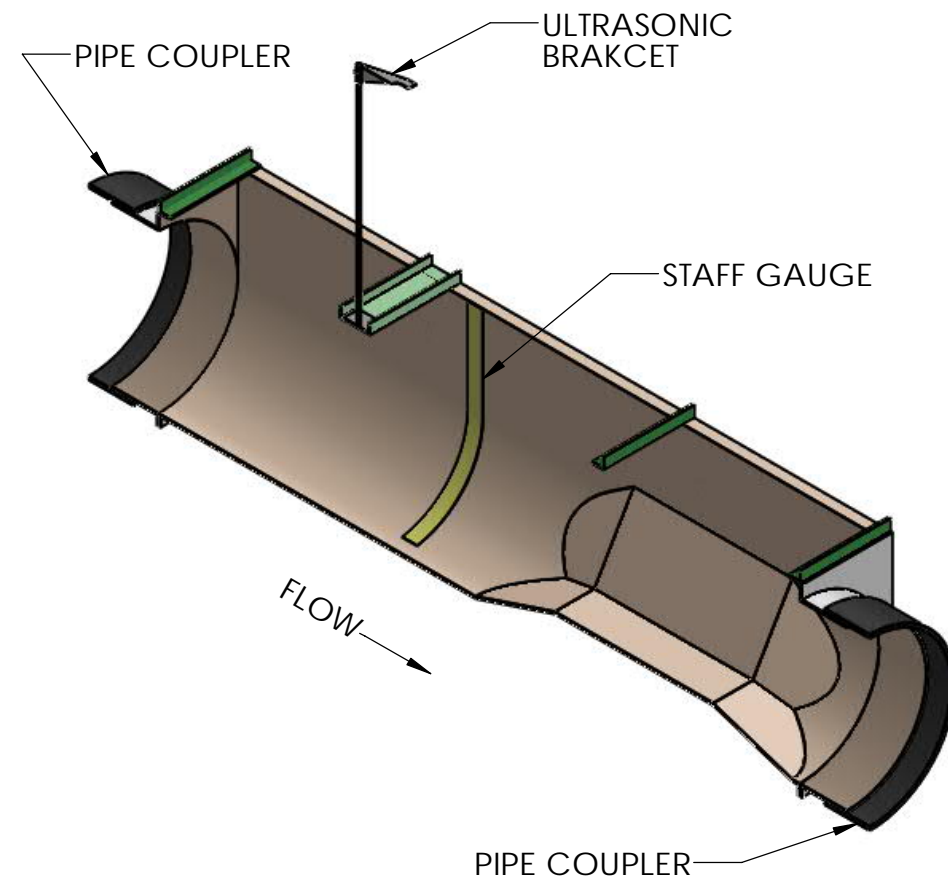
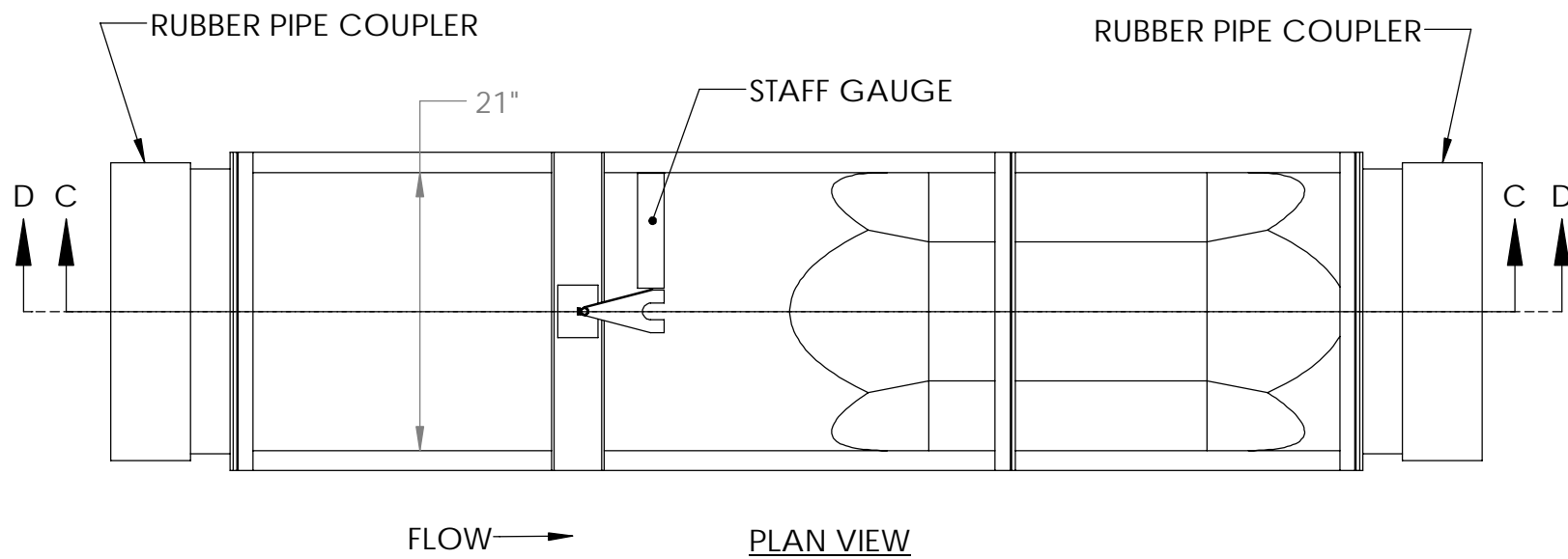


UNLESS OTHERWISE SPECIFIED:		NAME	DATE	 <b>10478 Ridge Rd., Medina NY 14103</b> Toll Free: 888-290-9522 Phone: 585-735-9668			
DIMENSIONS ARE IN INCHES		DRAWN	LVR 9/17/2020				
TOLERANCES:		CHECKED					
FRACTIONAL ± ANGULAR: MACH ± BEND ± TWO PLACE DECIMAL ± THREE PLACE DECIMAL ±		ENG APPR.					
INTERPRET GEOMETRIC TOLERANCING PER:		MFG APPR.		TITLE: 21 IN PALMER BOWLUS FLUME			
MATERIAL POLYESTER RESIN FINISH		Q.A.		Project: WITH OPTIONS			
DO NOT SCALE DRAWING		COMMENTS:		<table border="1"> <tr> <td>SIZE <b>B</b></td> <td>DWG. NO.</td> <td>REV <b>A</b></td> </tr> </table>	SIZE <b>B</b>	DWG. NO.	REV <b>A</b>
SIZE <b>B</b>	DWG. NO.	REV <b>A</b>					
		 3rd ANGLE PROJECTION		SCALE: 1:16 Weight 84.37 SHEET 4 OF 5			

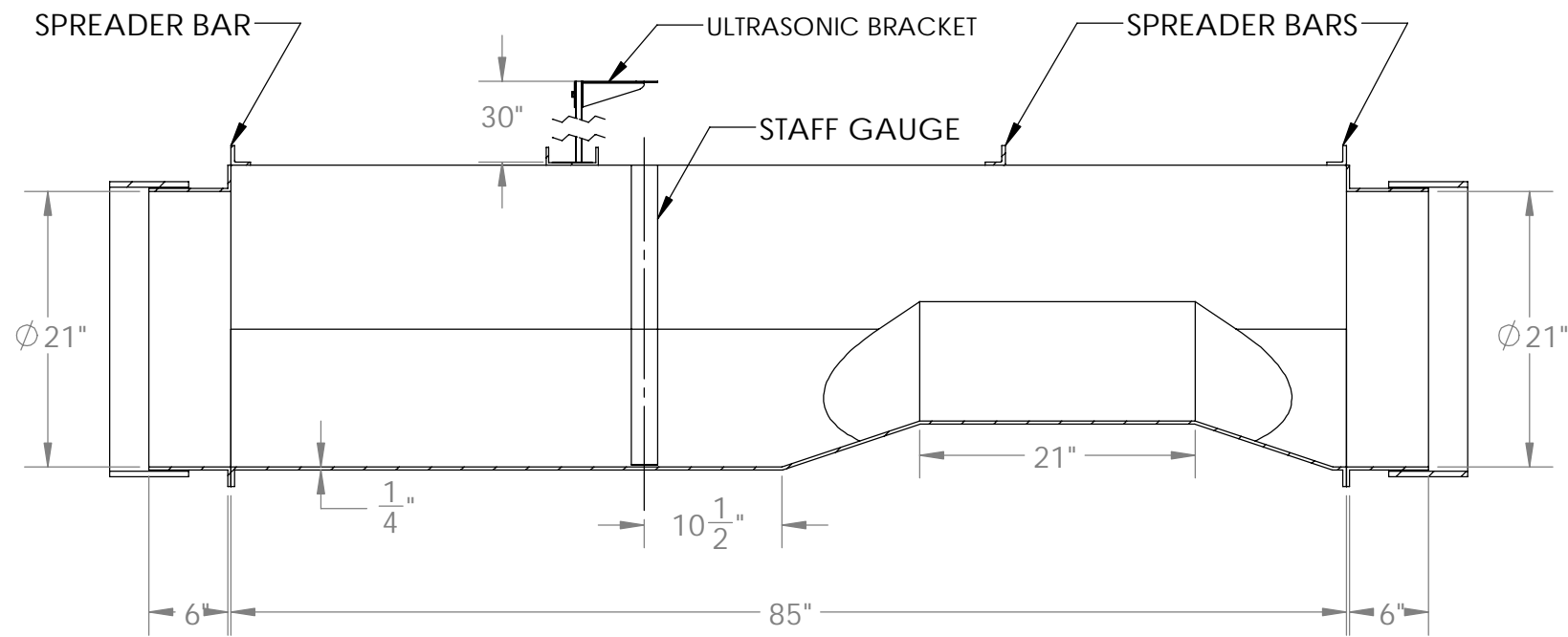
PROPRIETARY AND CONFIDENTIAL  
 THE INFORMATION CONTAINED IN THIS DRAWING IS THE SOLE PROPERTY OF Virtual Polymer Compounds, LLC. ANY REPRODUCTION IN PART OR AS A WHOLE WITHOUT THE WRITTEN PERMISSION OF Virtual Polymer Compounds, LLC IS PROHIBITED.


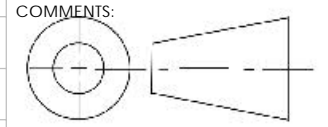
8 7 6 5 4 3 2 1

8 7 6 5 4 3 2 1



SECTION D-D  
SCALE 1 : 18



UNLESS OTHERWISE SPECIFIED:		NAME	DATE	 <b>VPC</b> 10478 Ridge Rd., Medina NY 14103 Toll Free: 888-290-9522 Phone: 585-735-9668
DIMENSIONS ARE IN INCHES TOLERANCES: FRACTIONAL ± ANGULAR: MACH ± BEND ± TWO PLACE DECIMAL ± THREE PLACE DECIMAL ±		DRAWN	LVR 9/17/2020	
INTERPRET GEOMETRIC TOLERANCING PER:		CHECKED		TITLE: 21 IN PALMER BOWLUS FLUME
MATERIAL POLYESTER RESIN FINISH		ENG APPR.		Project: WITH OPTIONS
DO NOT SCALE DRAWING		MFG APPR.		SIZE <b>B</b>
PROPRIETARY AND CONFIDENTIAL THE INFORMATION CONTAINED IN THIS DRAWING IS THE SOLE PROPERTY OF Virtual Polymer Compounds, LLC. ANY REPRODUCTION IN PART OR AS A WHOLE WITHOUT THE WRITTEN PERMISSION OF Virtual Polymer Compounds, LLC IS PROHIBITED.		Q.A.		DWG. NO.
 3rd ANGLE PROJECTION		COMMENTS:		REV A
				SCALE: 1:14 Weight 84.37 SHEET 5 OF 5

8 7 6 5 4 3 2 1