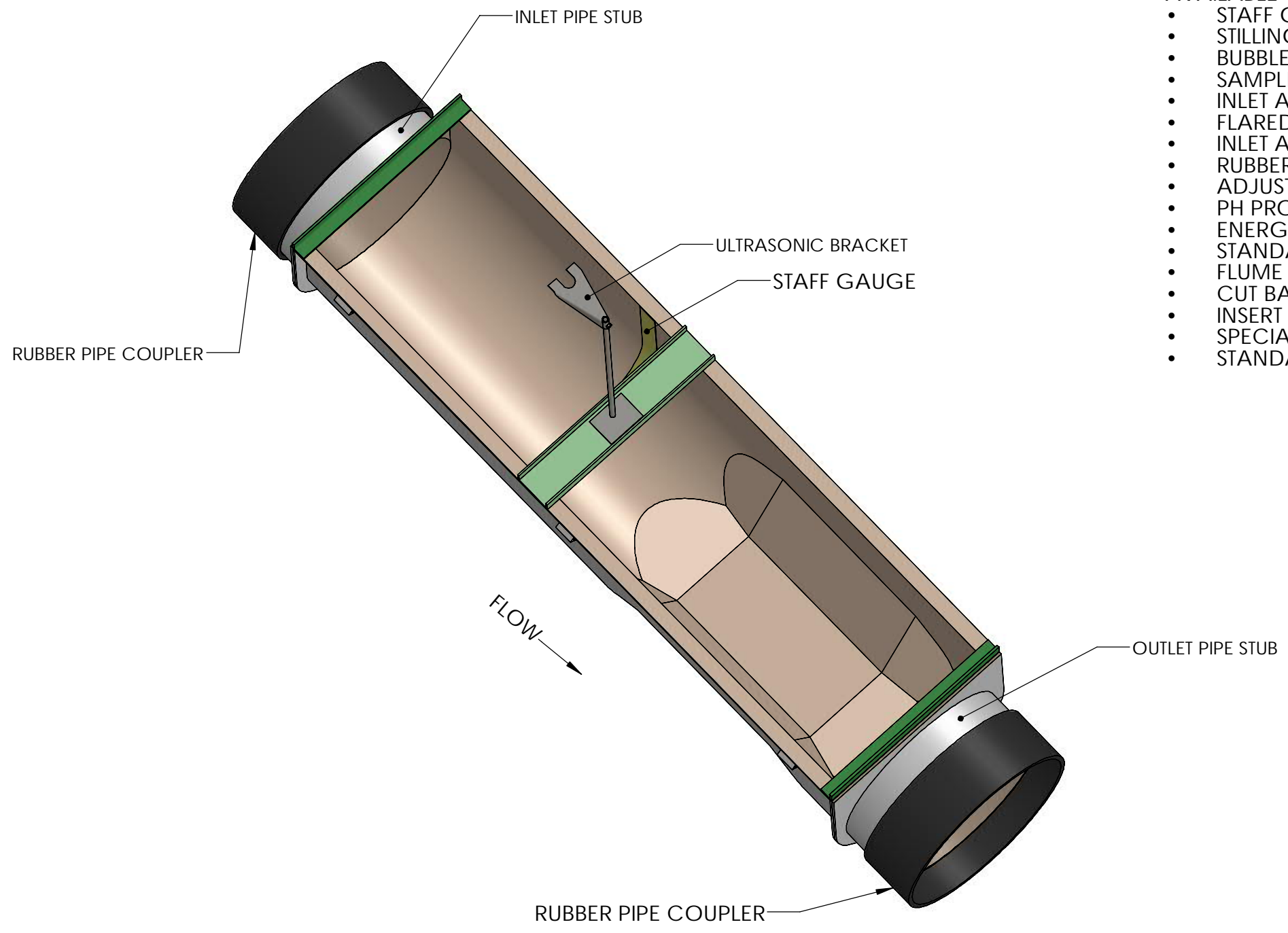


D  
C  
B  
A

D  
C  
B  
A



AVAILABLE OPTIONS:

- STAFF GAUGE (ENGLISH OR METRIC).
- STILLING WELL (INTEGRAL OR REMOTE).
- BUBBLER TUBE (SS 1/4" ID, INTEGRAL OR REMOVABLE).
- SAMPLER TUBE (SS 3/8" ID, INTEGRAL OR REMOVABLE).
- INLET AND OUTLET PIPE STUBS.
- FLARED INLET AND OUTLET TRANSITIONS PIPE STUBS.
- INLET AND OUTLET BULKHEADS.
- RUBBER PIPE COUPLERS W/ SS CLAMP BANDS.
- ADJUSTABLE SS ULTRASONIC BRACKET.
- PH PROBE CAVITY.
- ENERGY ABSORBING RACKS. (FIXED OR REMOVABLE).
- STANDARD OR SPECIAL DEPTHS (INCLUDING SURGE BOXES).
- FLUME COVERS (GRATING, FIBER SHEETING, CLEAR POLYCARBONATE).
- CUT BACK DESIGN.
- INSERT DESIGN.
- SPECIAL DESIGN (TO MEET SPECIAL PROJECT NEEDS).
- STANDARD COLOR IS BEIGE (CUSTOM COLORS AVAILABLE).

PROPRIETARY AND CONFIDENTIAL  
THE INFORMATION CONTAINED IN THIS DRAWING IS THE SOLE PROPERTY OF VIRTUAL POLYMER COMPOUNDS, LLC. ANY REPRODUCTION IN PART OR AS A WHOLE WITHOUT THE WRITTEN PERMISSION OF VIRTUAL POLYMER COMPOUNDS, LLC IS PROHIBITED.

UNLESS OTHERWISE SPECIFIED:  
DIMENSIONS ARE IN INCHES  
TOLERANCES:  
FRACTIONAL ±  
ANGULAR: MACH ± BEND ±  
TWO PLACE DECIMAL ±  
THREE PLACE DECIMAL ±  
INTERPRET GEOMETRIC TOLERANCING PER:  
MATERIAL POLYESTER RESIN  
FINISH  
DO NOT SCALE DRAWING

	NAME	DATE
DRAWN	LVR	9/17/2020
CHECKED		
ENG APPR.		
MFG APPR.		
Q.A.		

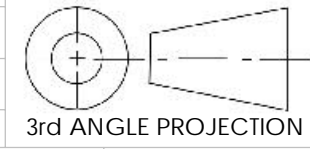
**VPC** 10478 Ridge Rd., Medina NY 14103  
FIBERGLASS Phone: 888-290-9522 585-735-9668

TITLE: 18 IN PALMER BOWLUS FLUME

Project: WITH OPTIONS

SIZE	DWG. NO.	REV
B		A

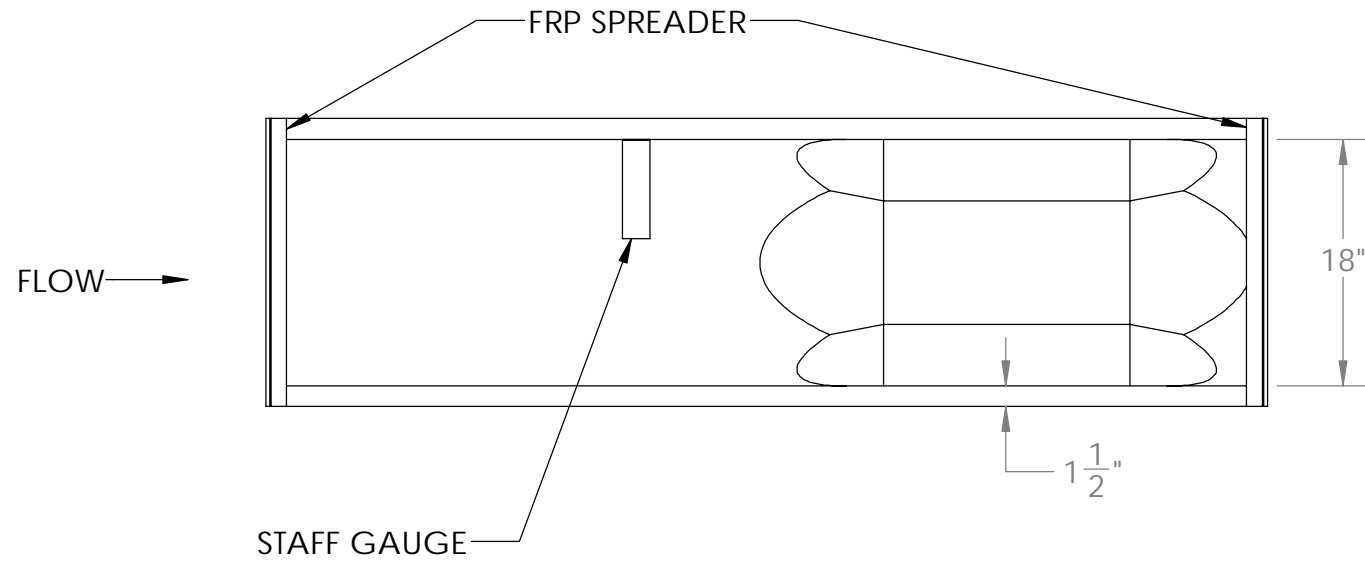
SCALE: 1:12 Weight 86.57 SHEET 1 OF 5



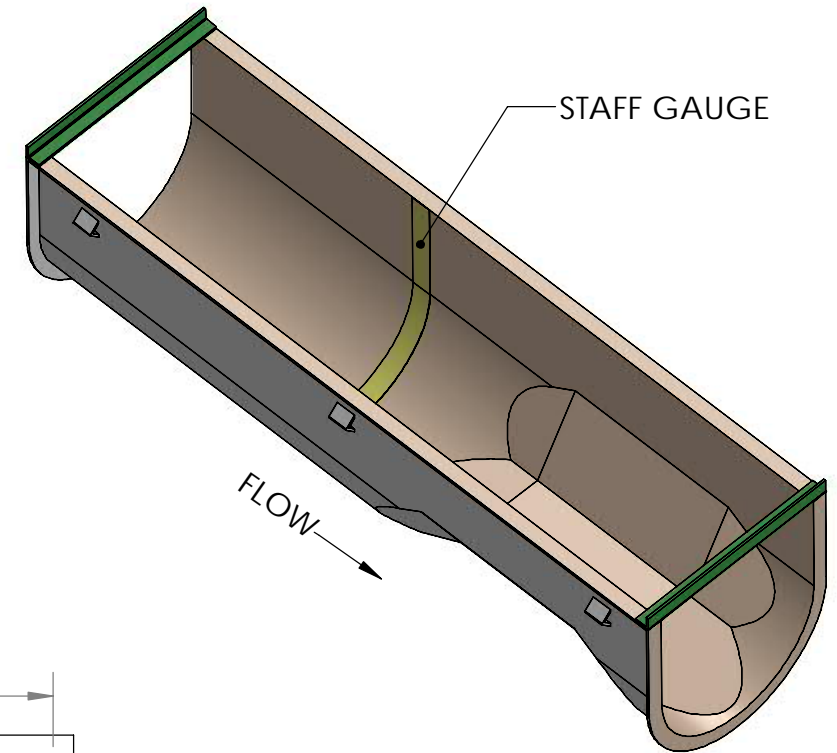
8 7 6 5 4 3 2 1

D

D



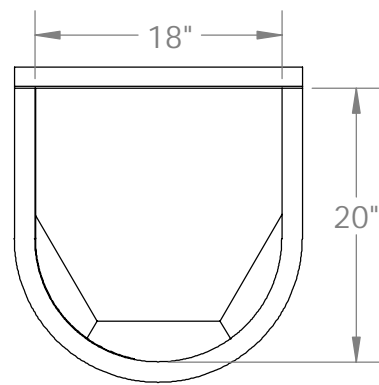
PLAN VIEW



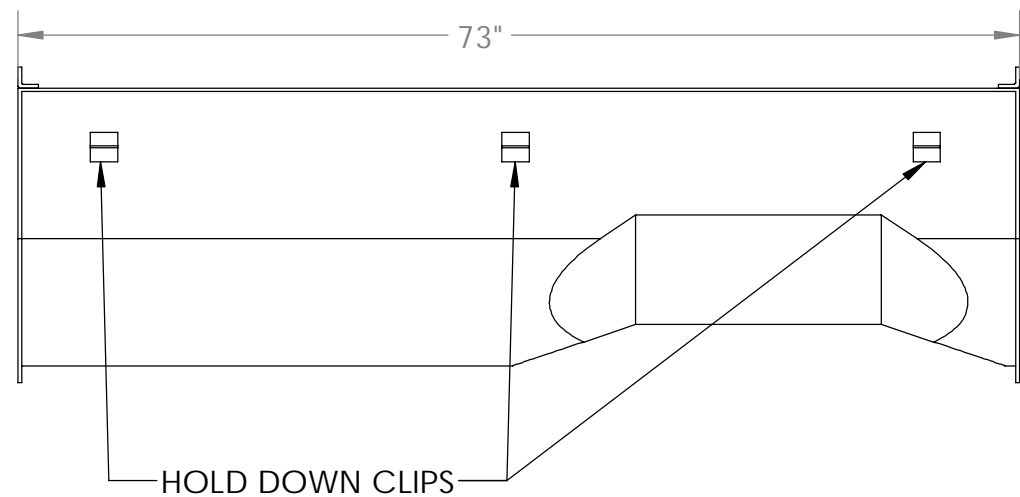
ISOMETRIC VIEW  
(SCALE: 1:18)

C

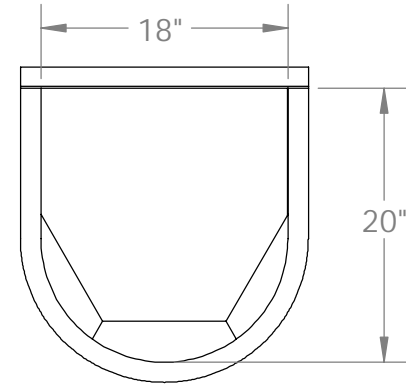
C



END VIEW  
(LOOKING DOWNSTREAM)



SIDE VIEW



END VIEW  
(LOOKING UPSTREAM)

B

B

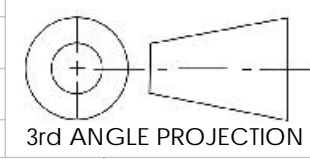
- NOTES:  
 1) INTERIOR GEL COAT COLOR TO BE BEIGE.  
 2) EXTERIOR GEL COAT COLOR TO BE WHITE.  
 3) NOMINAL MATERIAL THICKNESS = 1/4".

A

A

PROPRIETARY AND CONFIDENTIAL  
 THE INFORMATION CONTAINED IN THIS DRAWING IS THE SOLE PROPERTY OF VIRTUAL POLYMER COMPOUNDS, LLC. ANY REPRODUCTION IN PART OR AS A WHOLE WITHOUT THE WRITTEN PERMISSION OF VIRTUAL POLYMER COMPOUNDS, LLC IS PROHIBITED.

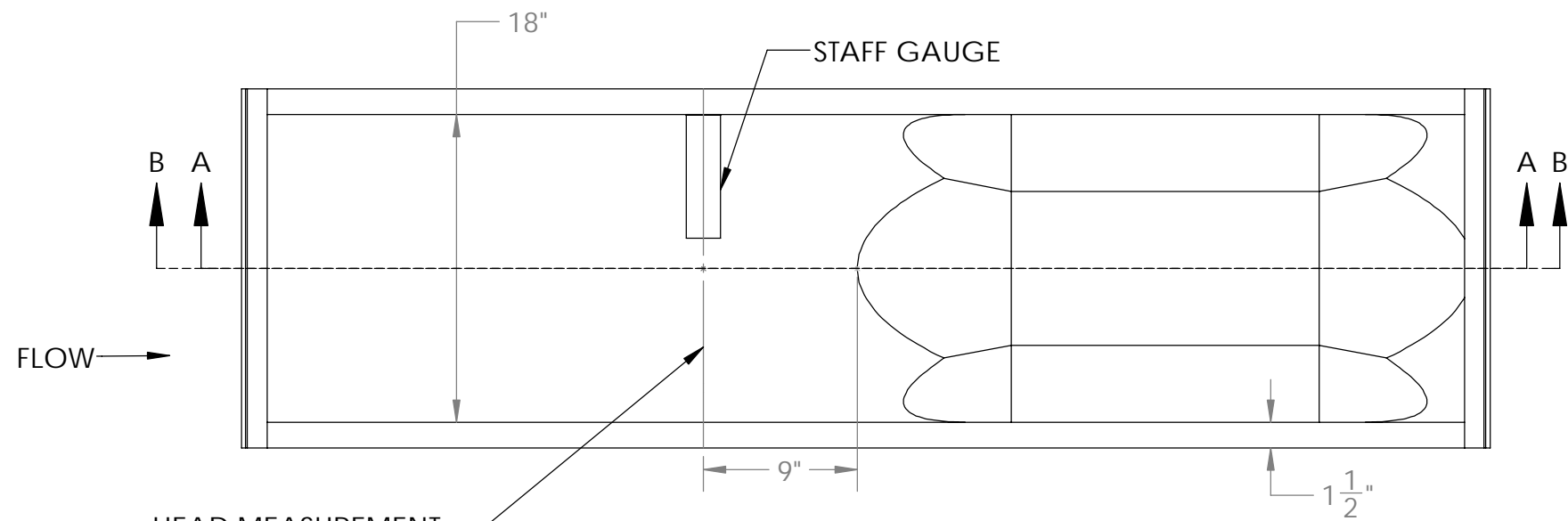
UNLESS OTHERWISE SPECIFIED:	NAME	DATE
DIMENSIONS ARE IN INCHES	DRAWN	LVR 9/17/2020
TOLERANCES:	CHECKED	
FRACTIONAL ±	ENG APPR.	
ANGULAR: MACH ± BEND ±	MFG APPR.	
TWO PLACE DECIMAL ±	Q.A.	
THREE PLACE DECIMAL ±		
INTERPRET GEOMETRIC TOLERANCING PER:		
MATERIAL FINISH		
POLYESTER RESIN		
DO NOT SCALE DRAWING		



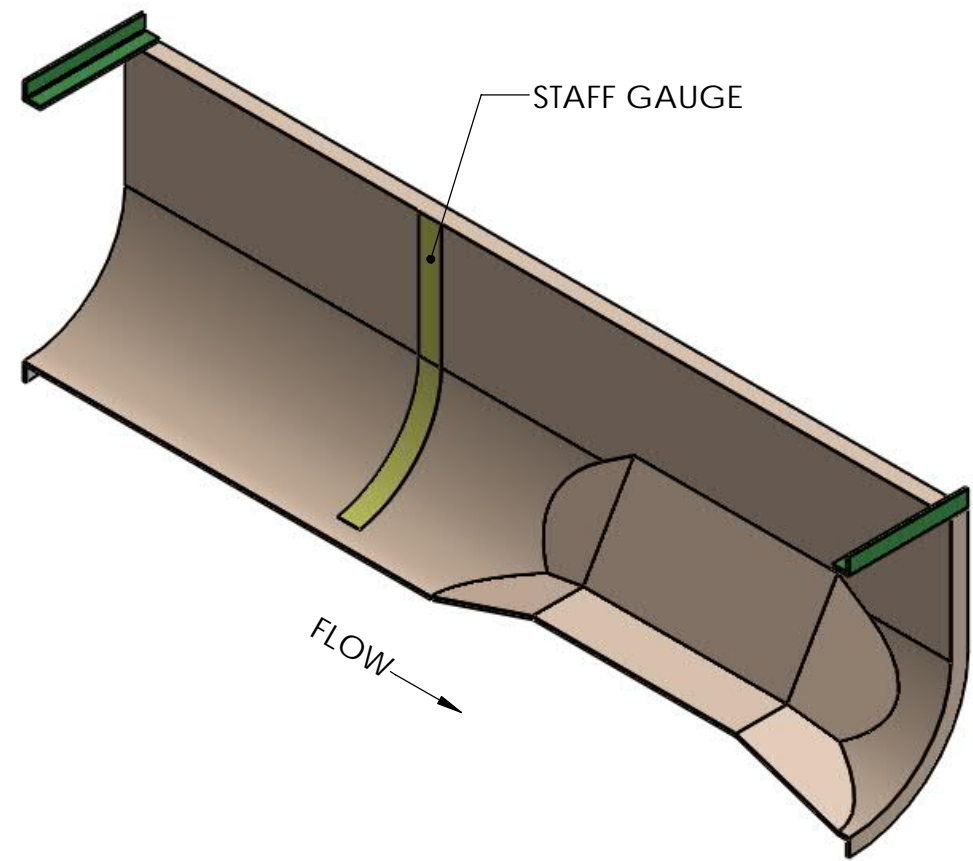
3rd ANGLE PROJECTION

		10478 Ridge Rd., Medina NY 14103 Toll Free: 888-290-9522 Phone: 585-735-9668
TITLE: 18 IN PALMER BOWLUS FLUME		
Project: WITHOUT OPTIONS		
SIZE <b>B</b>	DWG. NO.	REV A
SCALE: 1:14 Weight 56.30		SHEET 2 OF 5

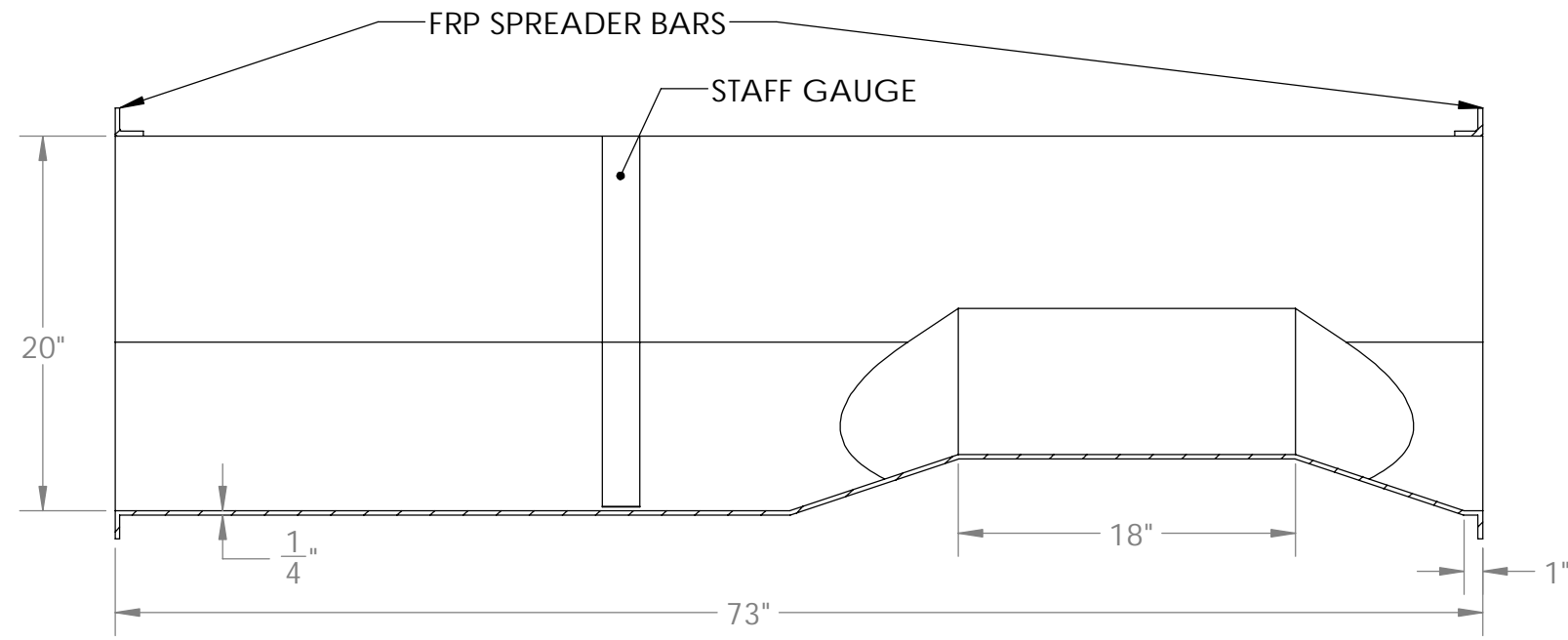
8 7 6 5 4 3 2 1




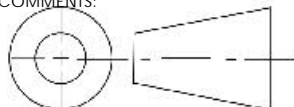
PLAN VIEW

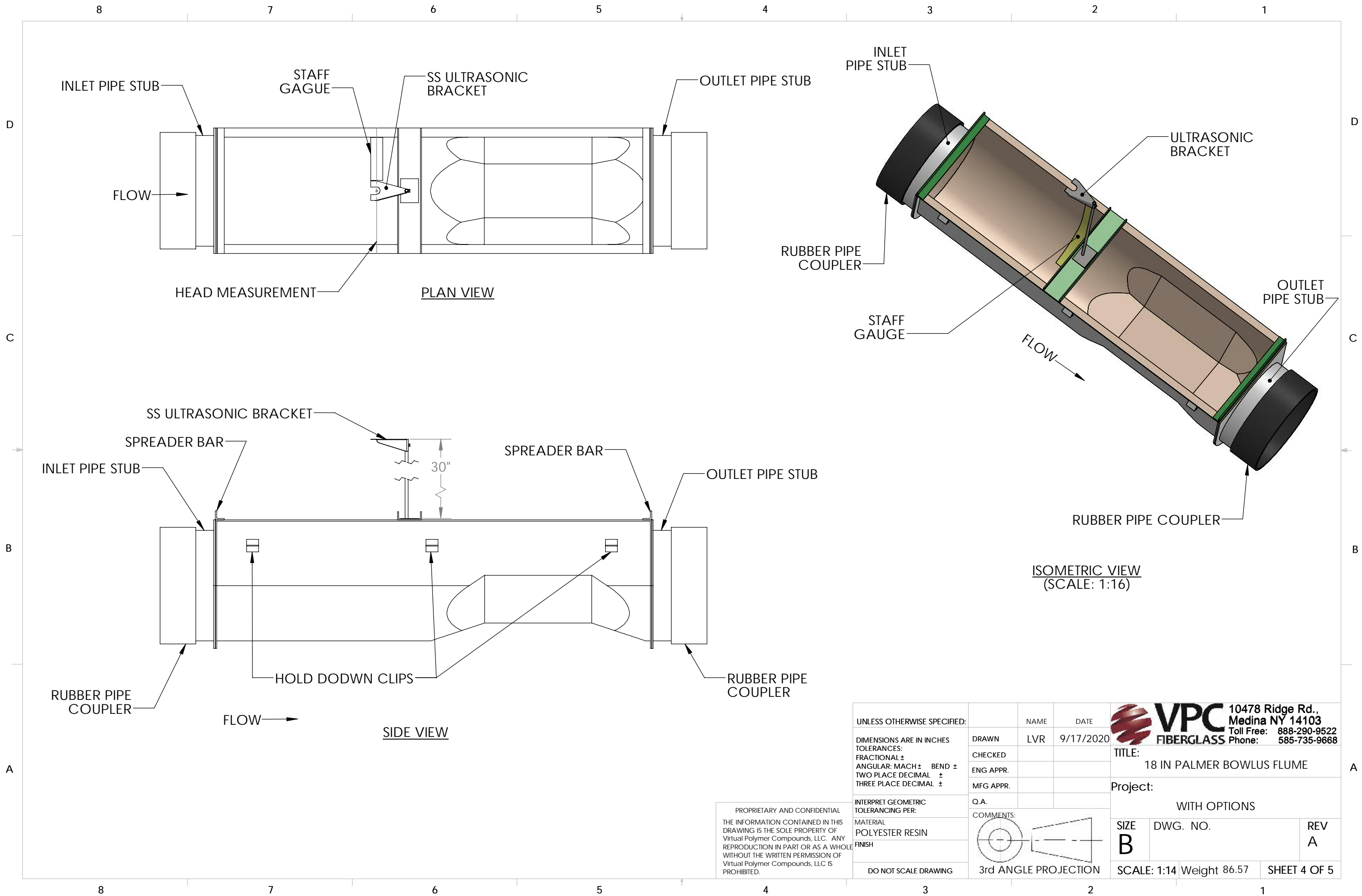


SECTION B-B  
SCALE 1 : 12



SECTION A-A

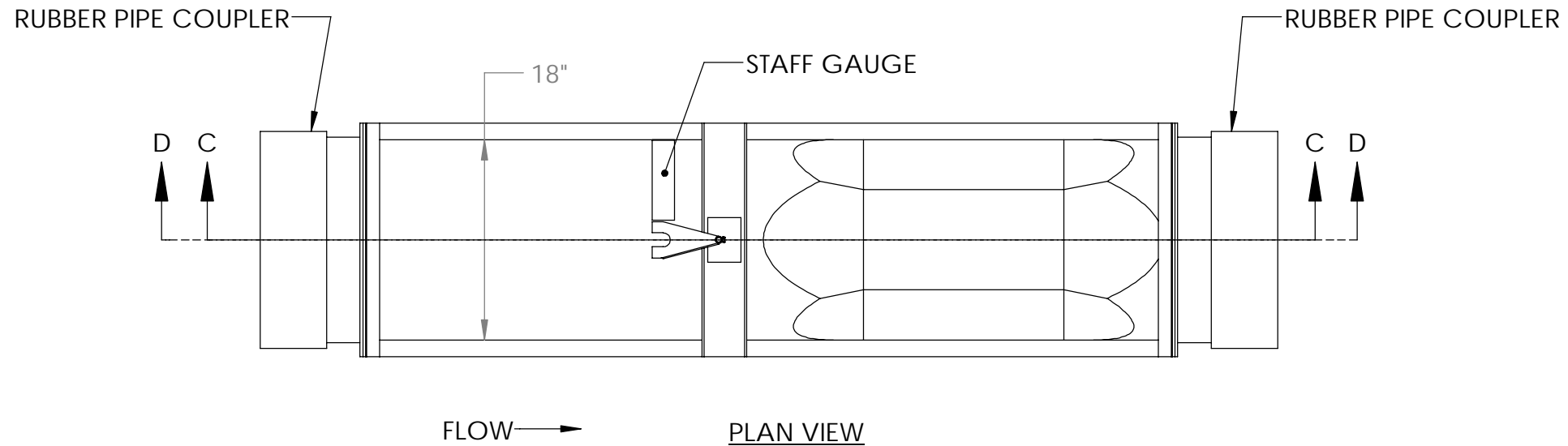
UNLESS OTHERWISE SPECIFIED:		NAME	DATE	 <b>VPC</b> 10478 Ridge Rd., Medina NY 14103 Toll Free: 888-290-9522 Phone: 585-735-9668
DIMENSIONS ARE IN INCHES TOLERANCES: FRACTIONAL ± ANGULAR: MACH ± BEND ± TWO PLACE DECIMAL ± THREE PLACE DECIMAL ±		DRAWN	LVR 9/17/2020	
INTERPRET GEOMETRIC TOLERANCING PER:		CHECKED		TITLE: 18 IN PALMER BOWLUS FLUME
MATERIAL POLYESTER RESIN FINISH		ENG APPR.		Project: WITHOUT OPTIONS
DO NOT SCALE DRAWING		MFG APPR.		SIZE <b>B</b>
PROPRIETARY AND CONFIDENTIAL THE INFORMATION CONTAINED IN THIS DRAWING IS THE SOLE PROPERTY OF Virtual Polymer Compounds, LLC. ANY REPRODUCTION IN PART OR AS A WHOLE WITHOUT THE WRITTEN PERMISSION OF Virtual Polymer Compounds, LLC IS PROHIBITED.		Q.A.		DWG. NO.
COMMENTS:  3rd ANGLE PROJECTION				REV A
				SCALE: 1:10 Weight 56.30 SHEET 3 OF 5



8 7 6 5 4 3 2 1

D

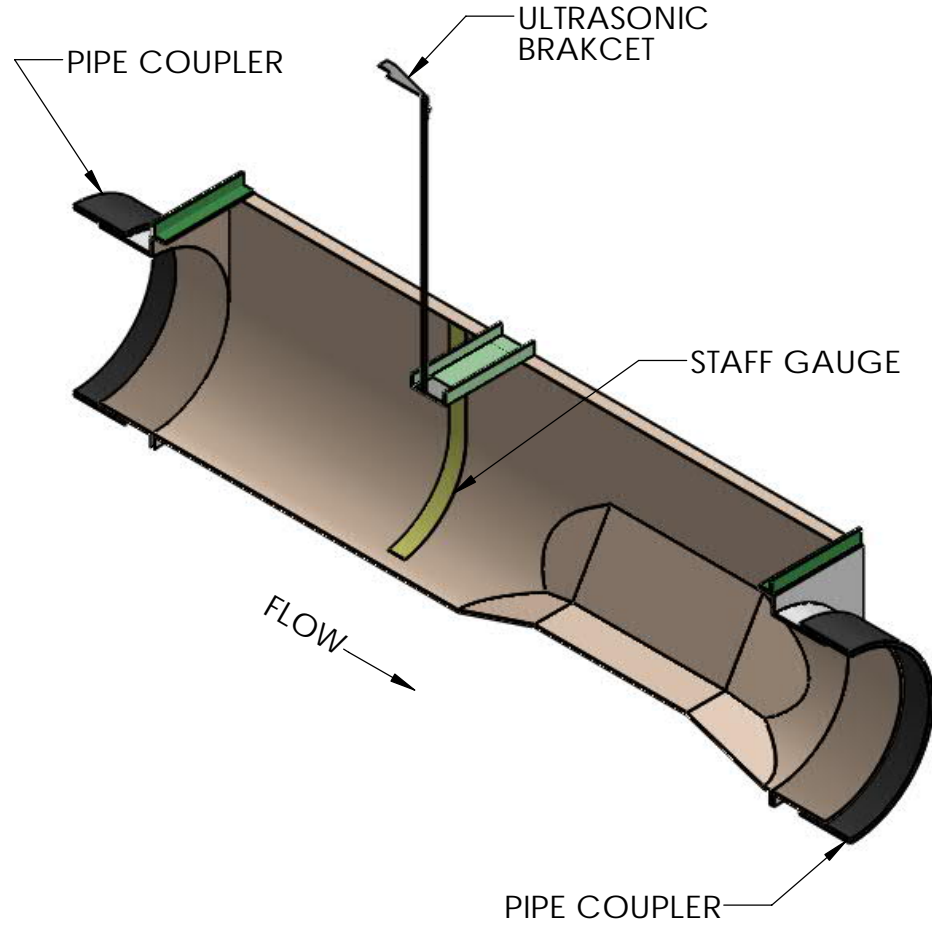
D



PLAN VIEW

C

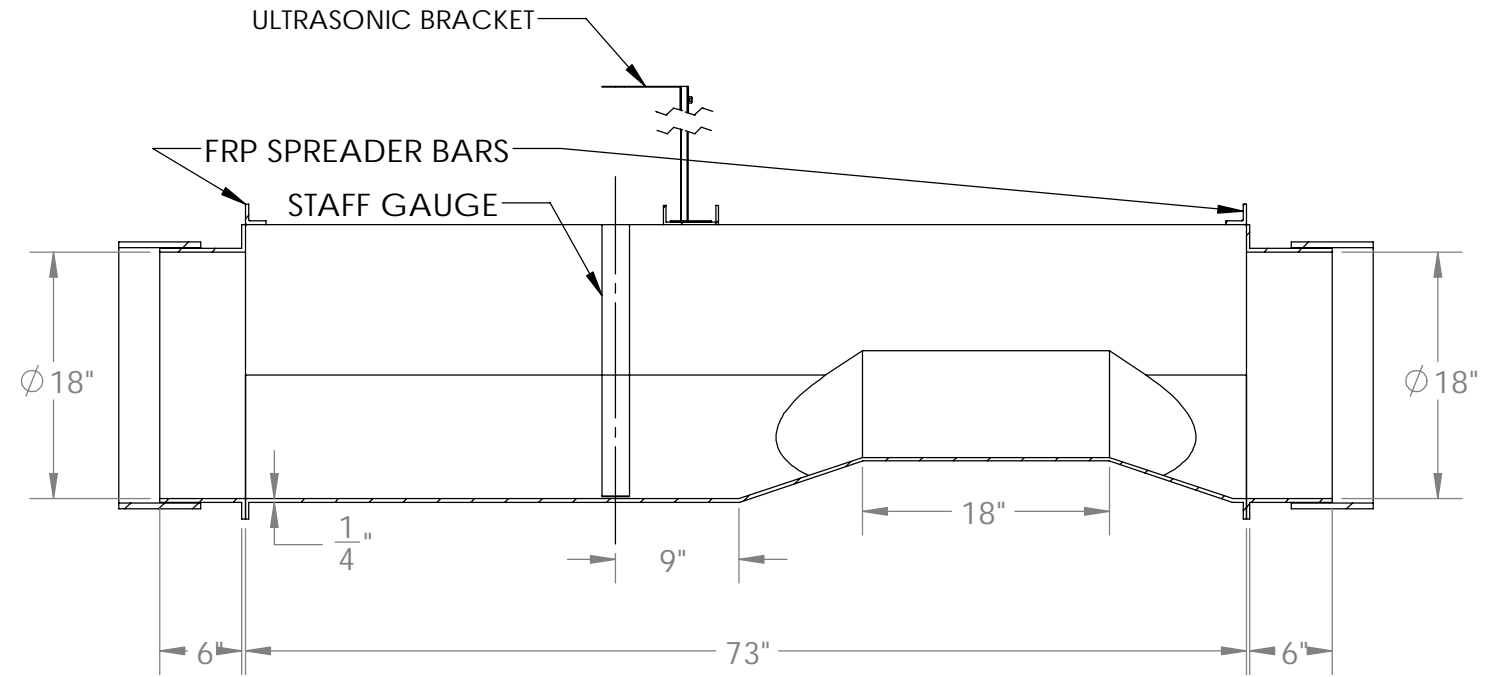
C



SECTION D-D  
SCALE 1 : 16

B

B


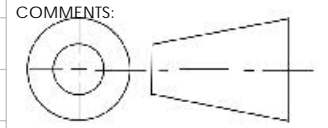


SECTION C-C

A

A

PROPRIETARY AND CONFIDENTIAL  
THE INFORMATION CONTAINED IN THIS DRAWING IS THE SOLE PROPERTY OF Virtual Polymer Compounds, LLC. ANY REPRODUCTION IN PART OR AS A WHOLE WITHOUT THE WRITTEN PERMISSION OF Virtual Polymer Compounds, LLC IS PROHIBITED.

UNLESS OTHERWISE SPECIFIED:		NAME	DATE	 <b>VPC</b> 10478 Ridge Rd., Medina NY 14103 Toll Free: 888-290-9522 Phone: 585-735-9668
DIMENSIONS ARE IN INCHES TOLERANCES: FRACTIONAL ± ANGULAR: MACH ± BEND ± TWO PLACE DECIMAL ± THREE PLACE DECIMAL ±		DRAWN	LVR 9/17/2020	
INTERPRET GEOMETRIC TOLERANCING PER:		CHECKED		TITLE: 18 IN PALMER BOWLUS FLUME
MATERIAL POLYESTER RESIN FINISH		ENG APPR.		Project: WITH OPTIONS
DO NOT SCALE DRAWING		MFG APPR.		SIZE <b>B</b>
		Q.A.		DWG. NO.
		COMMENTS:		REV A
		 3rd ANGLE PROJECTION		SCALE: 1:14 Weight 86.57
				SHEET 5 OF 5

8 7 6 5 4 3 2 1