

AVAILABLE OPTIONS:

- STAFF GAUGE (ENGLISH OR METRIC).
- STILLING WELL (INTEGRAL OR REMOTE).
- BUBBLER TUBE (SS 1/4" ID, INTEGRAL OR REMOVABLE).
- SAMPLER TUBE (SS 3/8" ID, INTEGRAL OR REMOVABLE).
- INLET AND OUTLET END ADAPTERS.
- PIPE STUBS.
- RUBBER PIPE COUPLERS W/ SS CLAMP BANDS.
- ADJUSTABLE SS ULTRASONIC BRACKET.
- PH PROBE CAVITY.
- WING WALLS AND BULK HEADS.
- ENERGY ABSORBING RACKS. (FIXED OR REMOVABLE).
- STANDARD OR SPECIAL DEPTHS (INCLUDING SURGE BOXES).
- FLUME COVERS (GRATING, FIBER SHEETING, CLEAR POLYCARBONATE).
- MONTANA CUT DESIGN.
- SPECIAL DESIGN (TO MEET SPECIAL PROJECT NEEDS).
- STANDARD COLOR IS BEIGE (CUSTOM COLORS AVAILABLE).

ULTRASONIC BRACKET

FLOW →

PROPRIETARY AND CONFIDENTIAL
 THE INFORMATION CONTAINED IN THIS
 DRAWING IS THE SOLE PROPERTY OF
 VIRTUAL POLYMER COMPOUNDS, LLC. ANY
 REPRODUCTION IN PART OR AS A WHOLE
 WITHOUT THE WRITTEN PERMISSION OF
 VIRTUAL POLYMER COMPOUNDS, LLC IS
 PROHIBITED.

UNLESS OTHERWISE SPECIFIED:
 DIMENSIONS ARE IN INCHES
 TOLERANCES:
 FRACTIONAL ±
 ANGULAR: MACH ± BEND ±
 TWO PLACE DECIMAL ±
 THREE PLACE DECIMAL ±

INTERPRET GEOMETRIC
 TOLERANCING PER:
 MATERIAL
 POLYESTER RESIN
 FINISH

DO NOT SCALE DRAWING

	NAME	DATE
DRAWN	LVR	8/6/2020
CHECKED		
ENG APPR.		
MFG APPR.		
Q.A.		

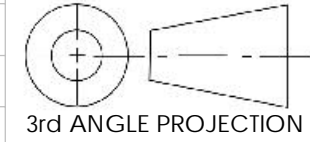
VPC 10478 Ridge Rd.,
 Medina NY 14103
 Toll Free: 888-290-9522
 Phone: 585-735-9668
FIBERGLASS

TITLE:
 120 INCH PARSHALL FLUME

Project:
 WITH OPTIONS

SIZE	DWG. NO.	REV
B		A

SCALE: 1:36 Weight 866.55 SHEET 1 OF 5



8 7 6 5 4 3 2 1

D

C

B

A

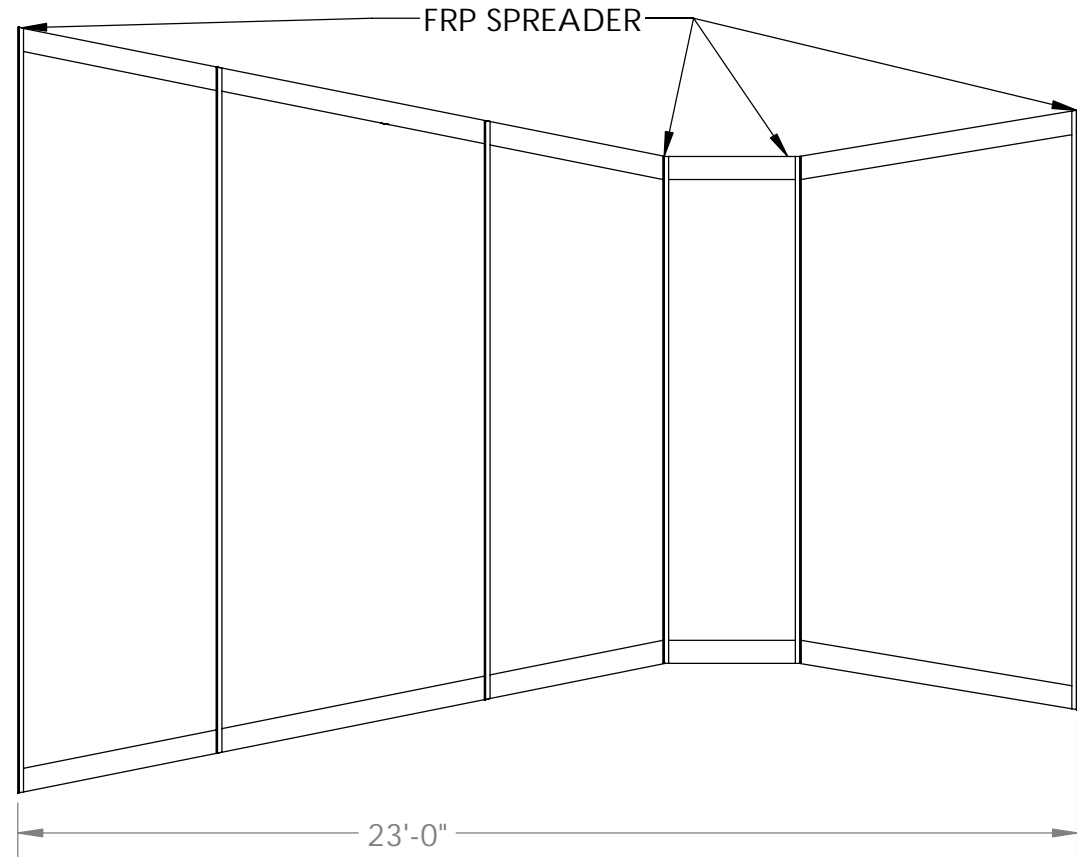
D

C

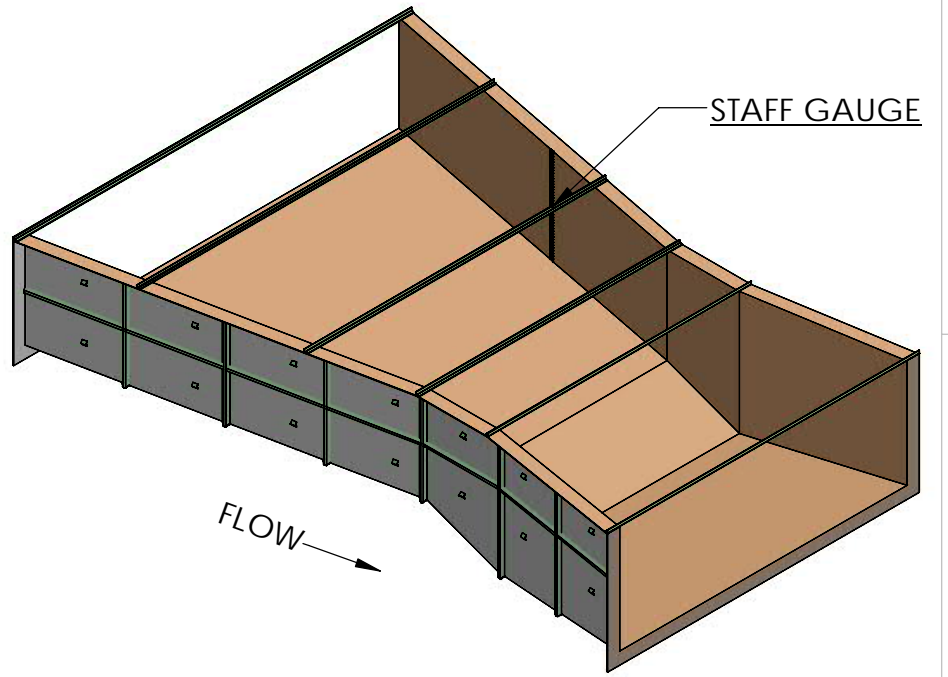
B

A

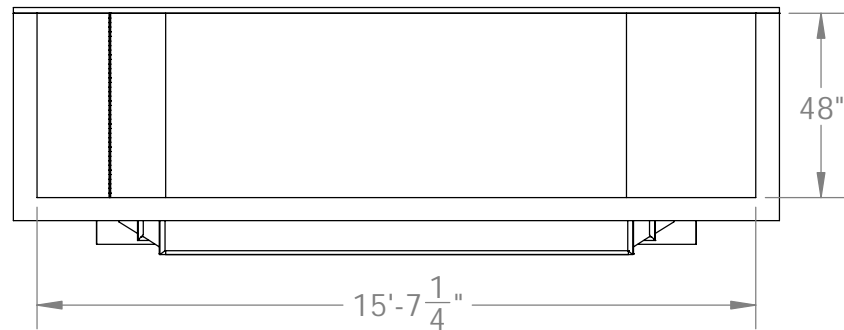
FLOW →



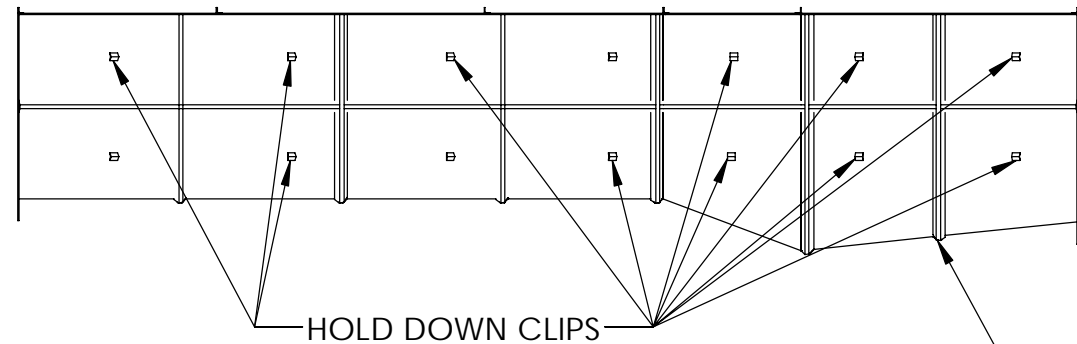
PLAN VIEW



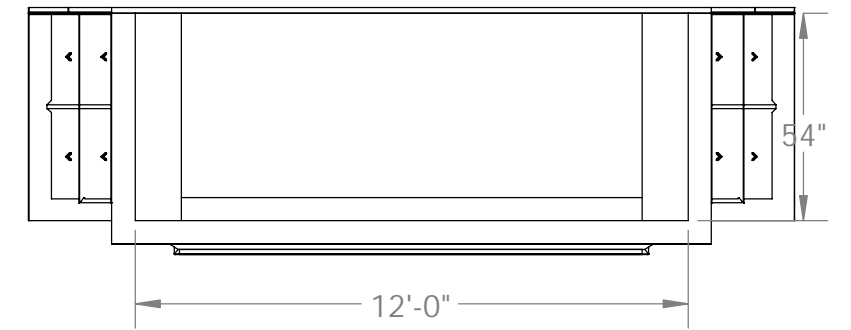
ISOMETRIC VIEW
SCALE: 1:68



END VIEW
(LOOKING DOWNSTREAM)



SIDE VIEW



END VIEW
(LOOKING UPSTREAM)

- NOTES:
 1) INTERIOR GEL COAT COLOR TO BE BEIGE.
 2) EXTERIOR GEL COAT COLOR TO BE WHITE.
 3) NOMINAL MATERIAL THICKNESS = 1/4".

PROPRIETARY AND CONFIDENTIAL
 THE INFORMATION CONTAINED IN THIS DRAWING IS THE SOLE PROPERTY OF VIRTUAL POLYMER COMPOUNDS, LLC. ANY REPRODUCTION IN PART OR AS A WHOLE WITHOUT THE WRITTEN PERMISSION OF VIRTUAL POLYMER COMPOUNDS, LLC IS PROHIBITED.

UNLESS OTHERWISE SPECIFIED:	NAME	DATE
DIMENSIONS ARE IN INCHES	LVR	8/6/2020
TOLERANCES:		
FRACTIONAL ±		
ANGULAR: MACH ± BEND ±		
TWO PLACE DECIMAL ±		
THREE PLACE DECIMAL ±		
INTERPRET GEOMETRIC TOLERANCING PER:		
MATERIAL POLYESTER RESIN		
FINISH		
DO NOT SCALE DRAWING		

DRAWN	NAME	DATE
CHECKED		
ENG APPR.		
MFG APPR.		
Q.A.		

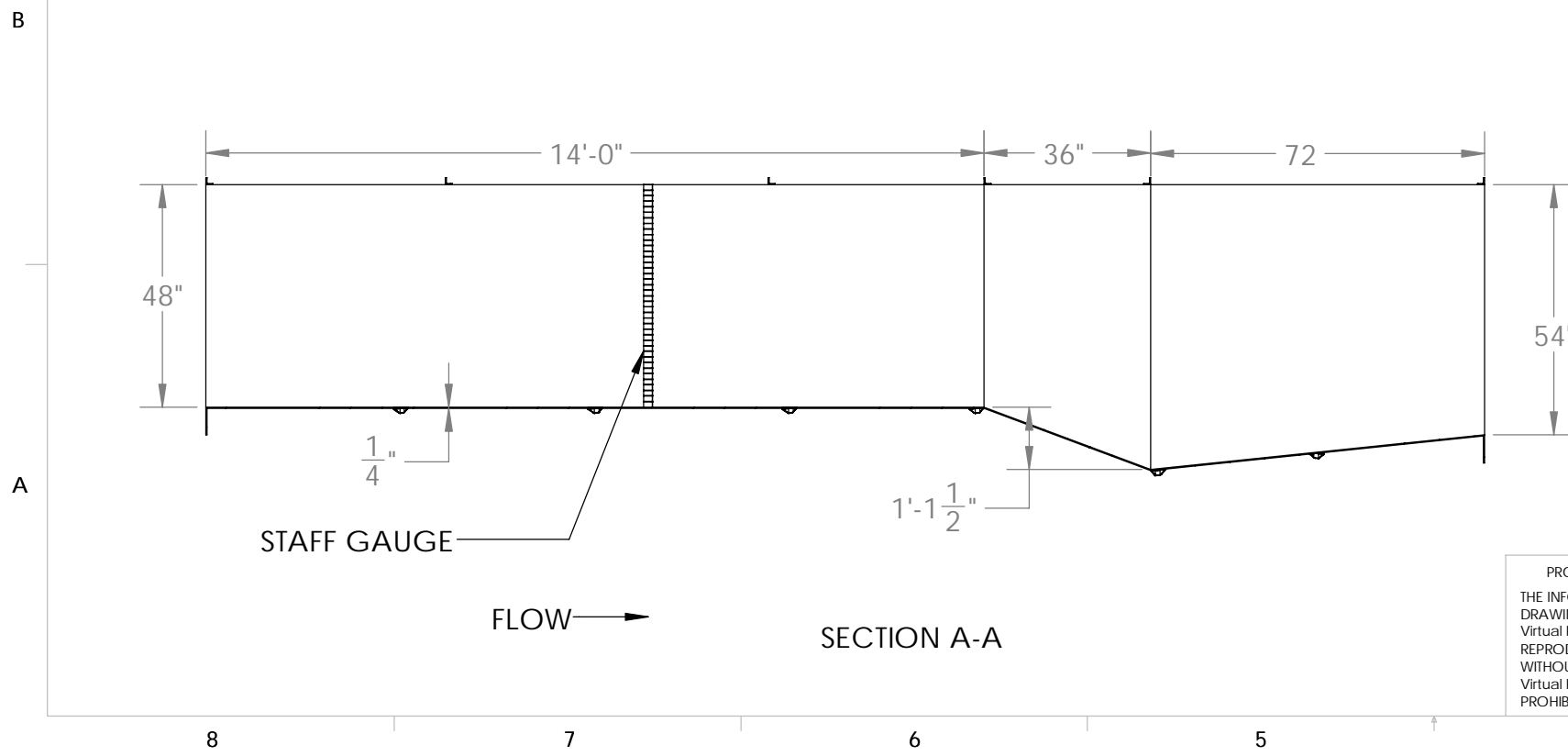
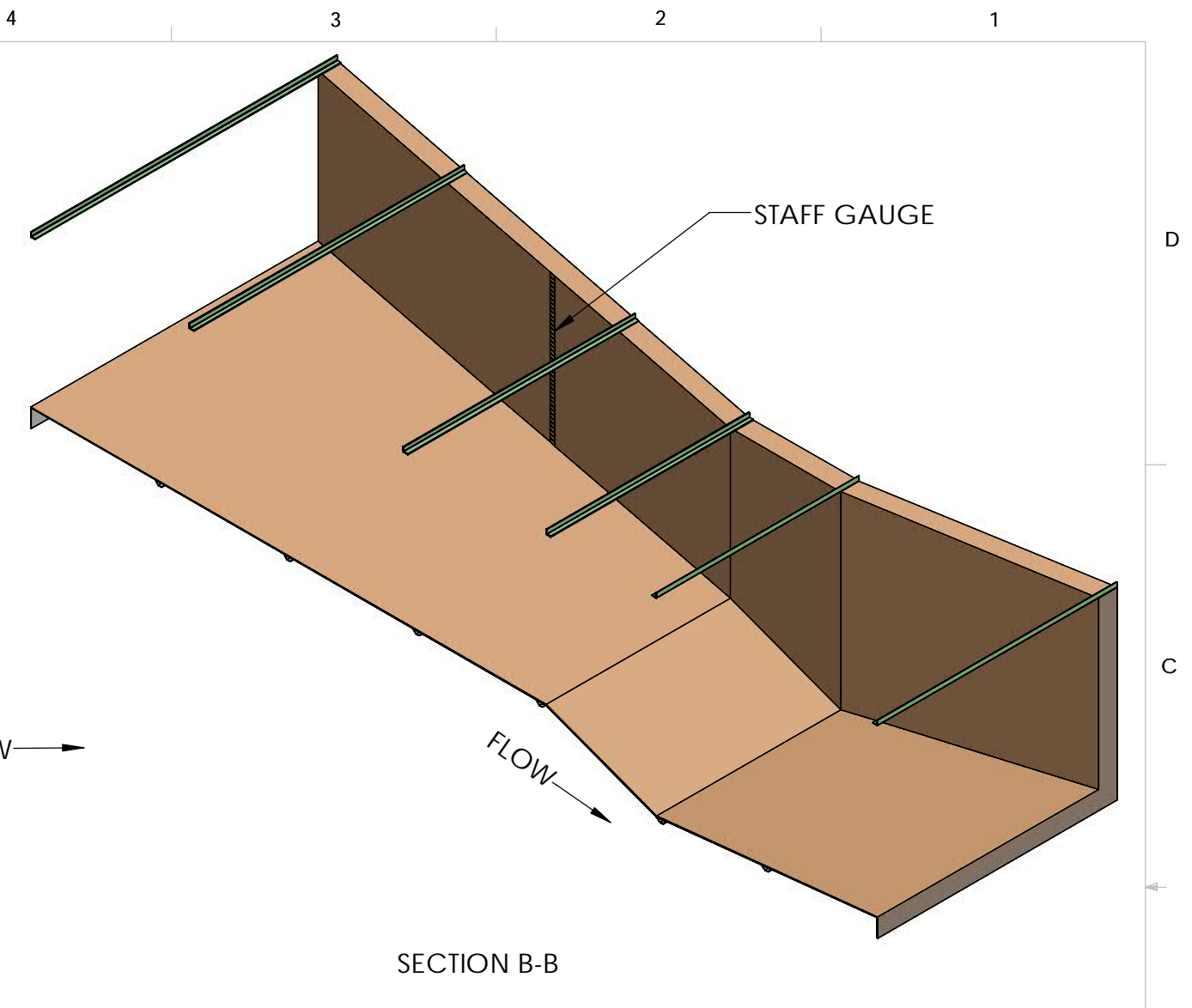
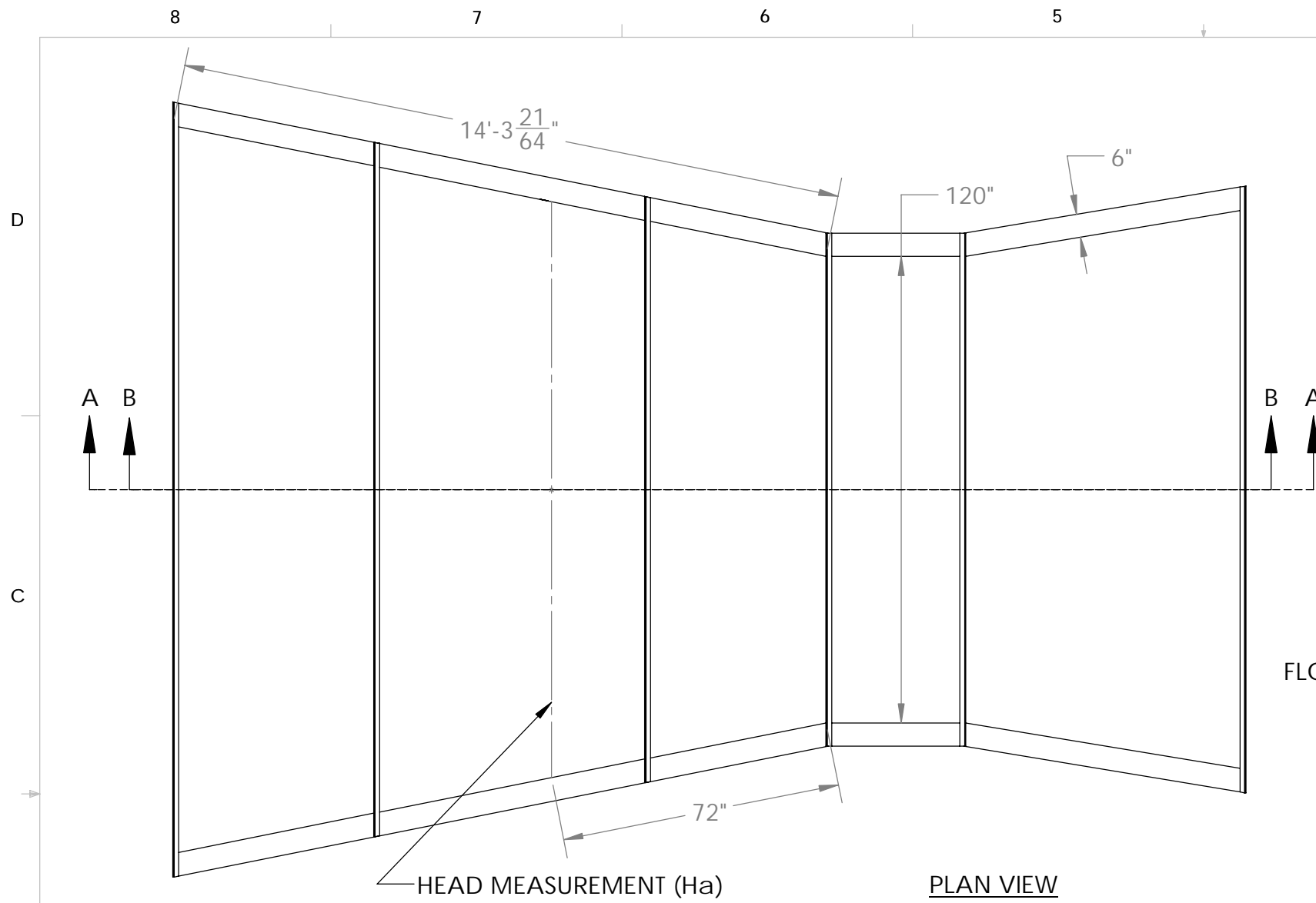
VPC FIBERGLASS 10478 Ridge Rd., Medina NY 14103
 Toll Free: 888-290-9522 Phone: 585-735-9668

TITLE: 120 INCH PARSHALL FLUME

Project: WITHOUT OPTIONS

SIZE B	DWG. NO.	REV A
SCALE: 1:50	Weight 858.54	SHEET 2 OF 5

8 7 6 5 4 3 2 1



PROPRIETARY AND CONFIDENTIAL
 THE INFORMATION CONTAINED IN THIS DRAWING IS THE SOLE PROPERTY OF Virtual Polymer Compounds, LLC. ANY REPRODUCTION IN PART OR AS A WHOLE WITHOUT THE WRITTEN PERMISSION OF Virtual Polymer Compounds, LLC IS PROHIBITED.

UNLESS OTHERWISE SPECIFIED:
 DIMENSIONS ARE IN INCHES
 TOLERANCES:
 FRACTIONAL ±
 ANGULAR: MACH ± BEND ±
 TWO PLACE DECIMAL ±
 THREE PLACE DECIMAL ±

INTERPRET GEOMETRIC TOLERANCING PER:
 MATERIAL POLYESTER RESIN
 FINISH

DO NOT SCALE DRAWING

	NAME	DATE
DRAWN	LVR	8/6/2020
CHECKED		
ENG APPR.		
MFG APPR.		
Q.A.		
COMMENTS:		
3rd ANGLE PROJECTION		

VPC 10478 Ridge Rd., Medina NY 14103
 FIBERGLASS Toll Free: 888-290-9522 Phone: 585-735-9668

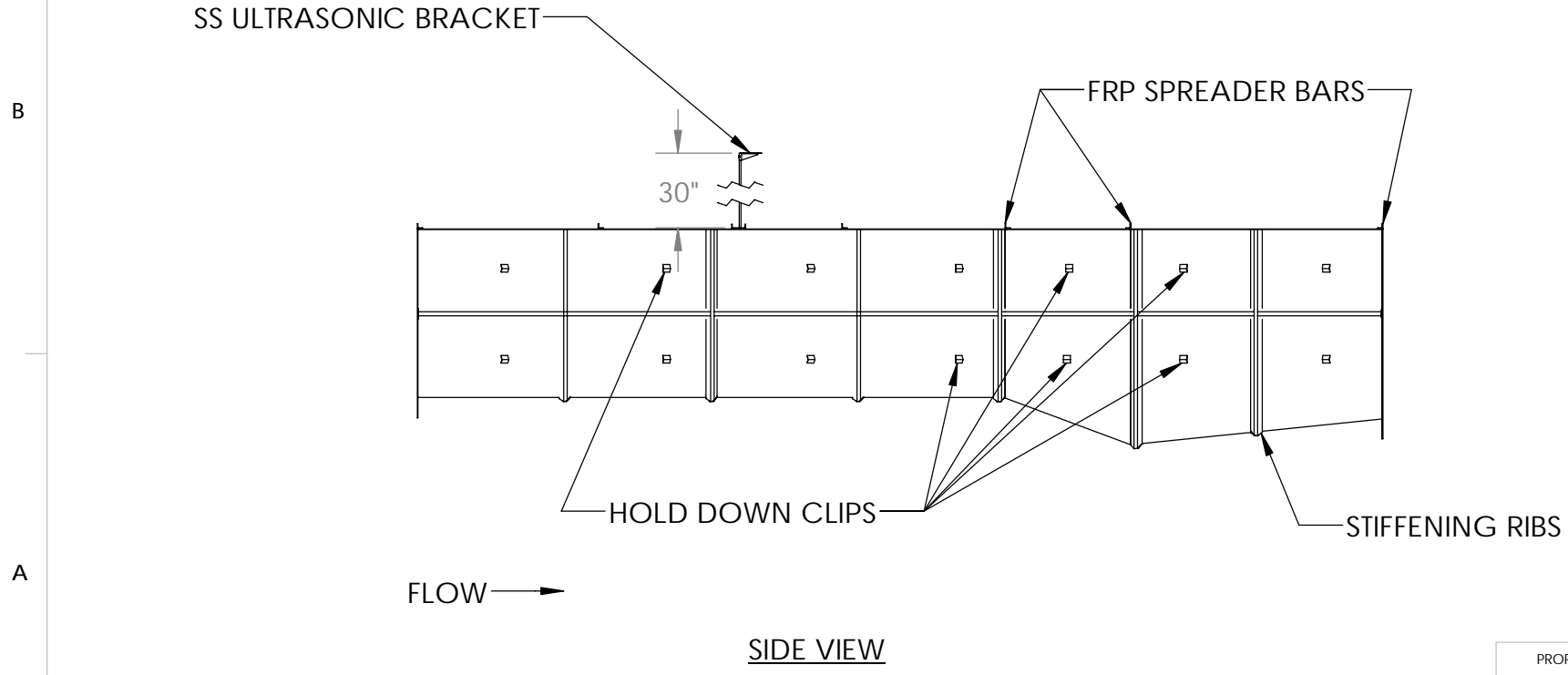
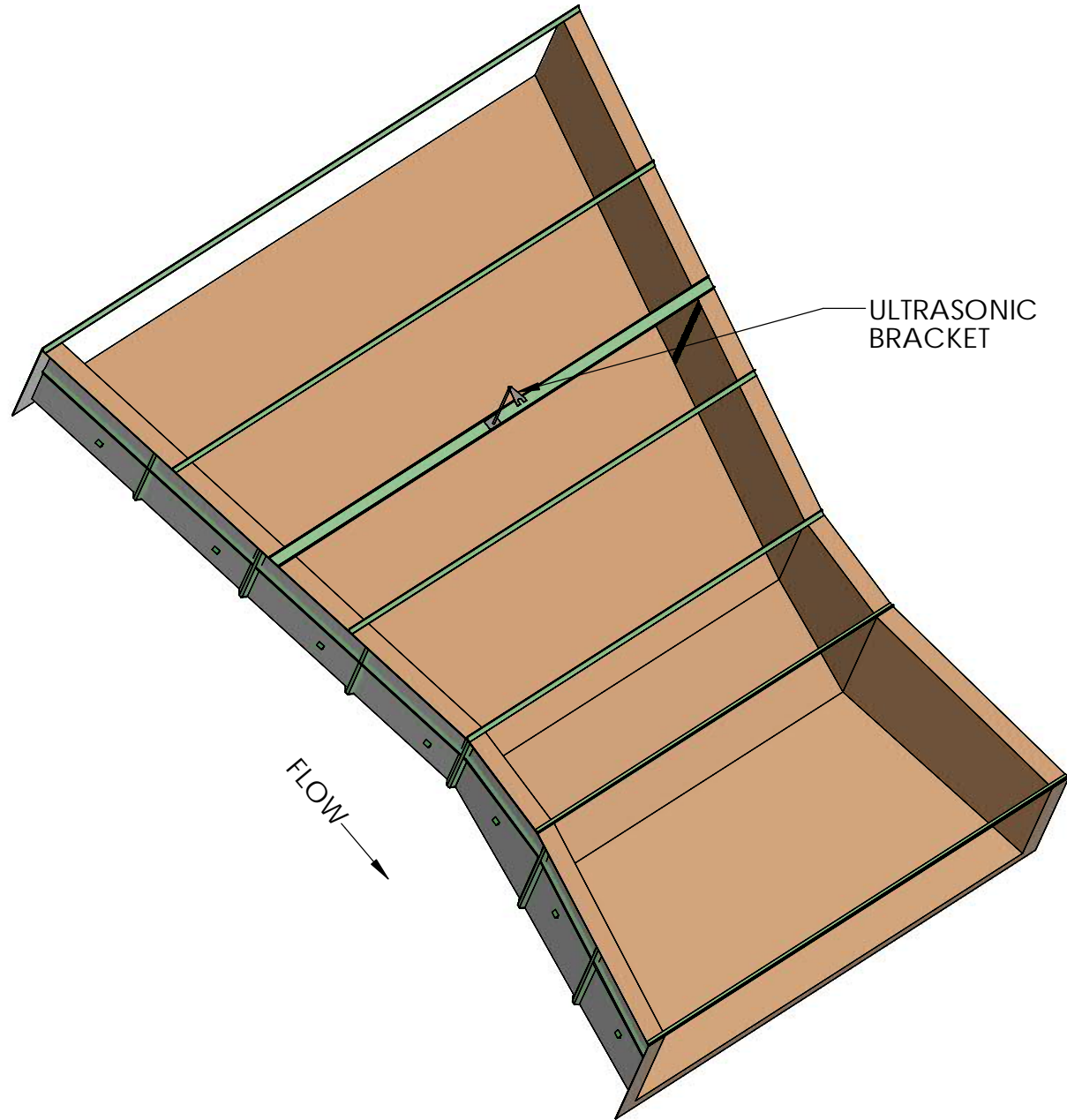
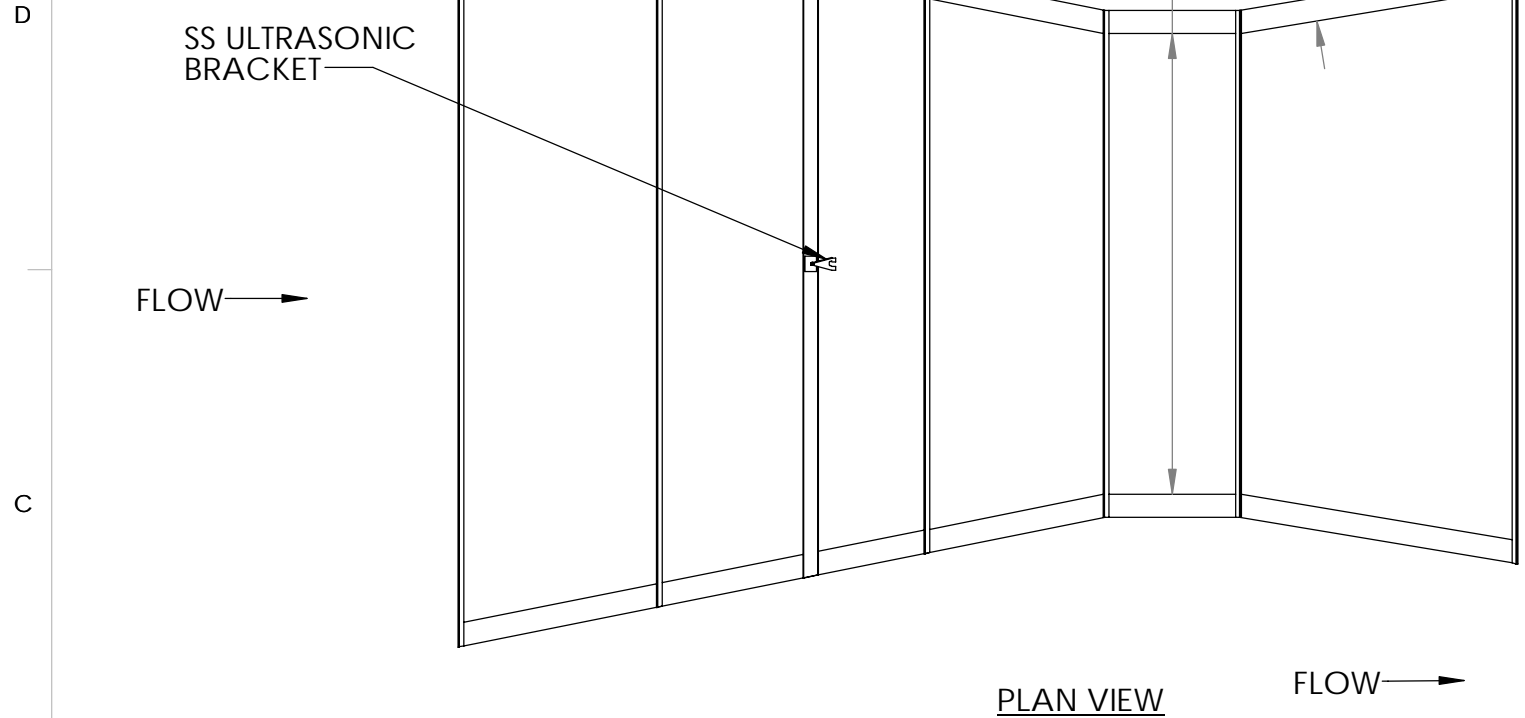
TITLE: 120 INCH PARSHALL FLUME


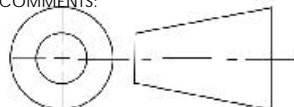
Project: WITHOUT OPTIONS

SIZE B	DWG. NO.	REV A
--------	----------	-------

SCALE: 1:38 Weight 858.54 SHEET 3 OF 5

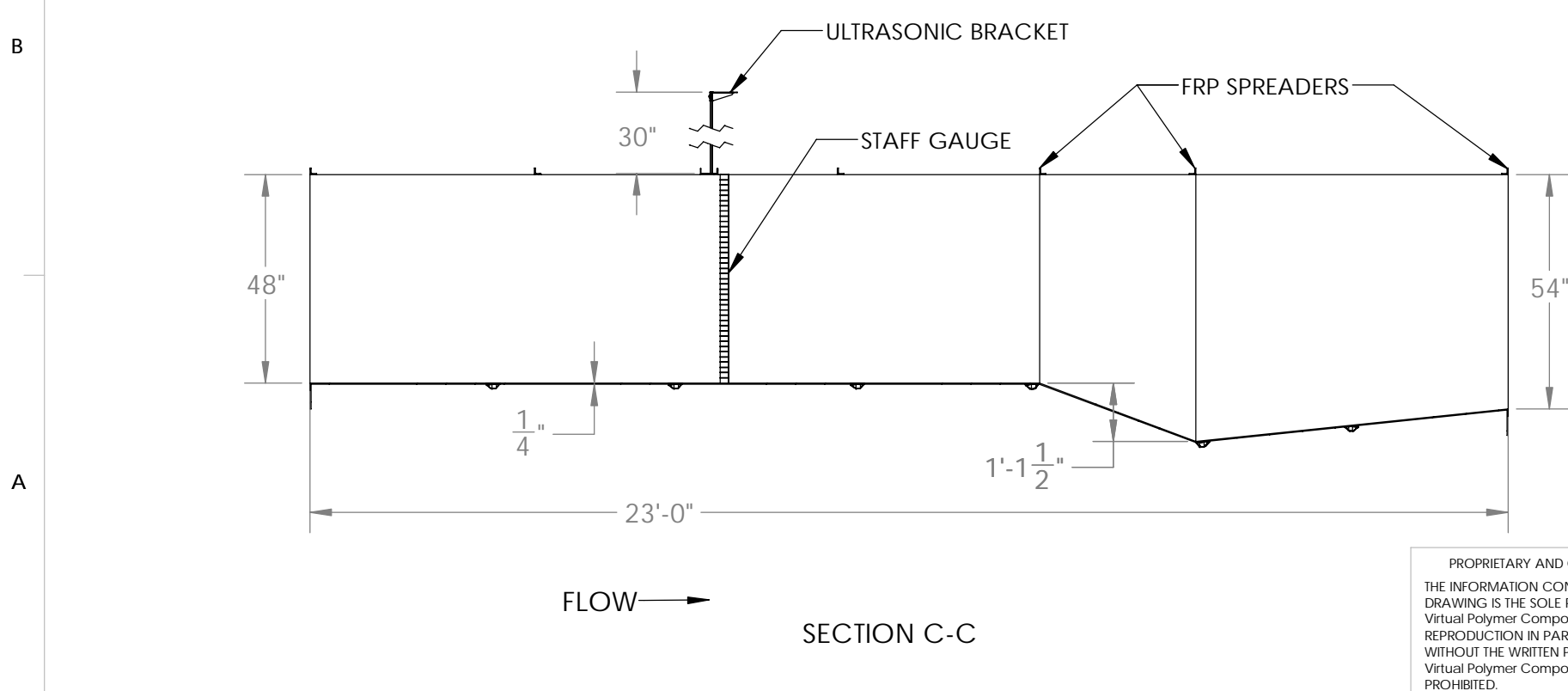
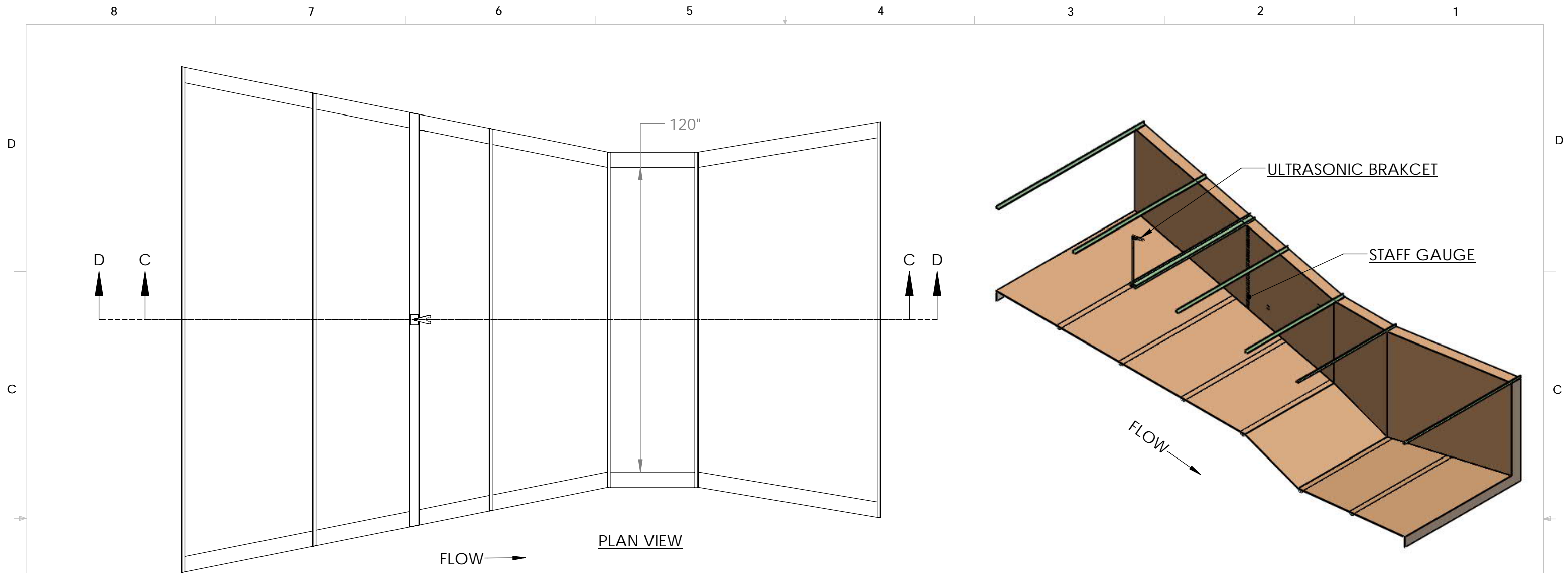
8 7 6 5 4 3 2 1




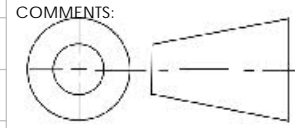
UNLESS OTHERWISE SPECIFIED: DIMENSIONS ARE IN INCHES TOLERANCES: FRACTIONAL ± ANGULAR: MACH ± BEND ± TWO PLACE DECIMAL ± THREE PLACE DECIMAL ±	NAME	DATE	 VPC 10478 Ridge Rd., Medina NY 14103 Toll Free: 888-290-9522 Phone: 585-735-9668	
	DRAWN	LVR		8/6/2020
	CHECKED			
	ENG APPR.			
INTERPRET GEOMETRIC TOLERANCING PER:	Q.A.		TITLE:	
MATERIAL	COMMENTS:		120 INCH PARSHALL FLUME	
POLYESTER RESIN	 3rd ANGLE PROJECTION		Project:	
FINISH			WITH OPTIONS	
DO NOT SCALE DRAWING			SIZE	
			B	
			DWG. NO.	
			REV	
			A	
			SCALE: 1:50 Weight 866.55 SHEET 4 OF 5	

PROPRIETARY AND CONFIDENTIAL
THE INFORMATION CONTAINED IN THIS DRAWING IS THE SOLE PROPERTY OF Virtual Polymer Compounds, LLC. ANY REPRODUCTION IN PART OR AS A WHOLE WITHOUT THE WRITTEN PERMISSION OF Virtual Polymer Compounds, LLC IS PROHIBITED.

8 7 6 5 4 3 2 1



PROPRIETARY AND CONFIDENTIAL
 THE INFORMATION CONTAINED IN THIS
 DRAWING IS THE SOLE PROPERTY OF
 Virtual Polymer Compounds, LLC. ANY
 REPRODUCTION IN PART OR AS A WHOLE
 WITHOUT THE WRITTEN PERMISSION OF
 Virtual Polymer Compounds, LLC IS
 PROHIBITED.

UNLESS OTHERWISE SPECIFIED:		NAME	DATE	 VPC 10478 Ridge Rd., Medina NY 14103 Toll Free: 888-290-9522 Phone: 585-735-9668
DIMENSIONS ARE IN INCHES TOLERANCES: FRACTIONAL ± ANGULAR: MACH ± BEND ± TWO PLACE DECIMAL ± THREE PLACE DECIMAL ±		DRAWN	LVR	
INTERPRET GEOMETRIC TOLERANCING PER:		CHECKED		
MATERIAL POLYESTER RESIN FINISH		ENG APPR.		
DO NOT SCALE DRAWING		MFG APPR.		
3rd ANGLE PROJECTION		Q.A.		
		COMMENTS:	TITLE: 120 INCH PARSHALL FLUME Project: WITH OPTIONS	
				SIZE B
		DWG. NO.		REV A
		SCALE: 1:38 Weight 866.55		SHEET 5 OF 5