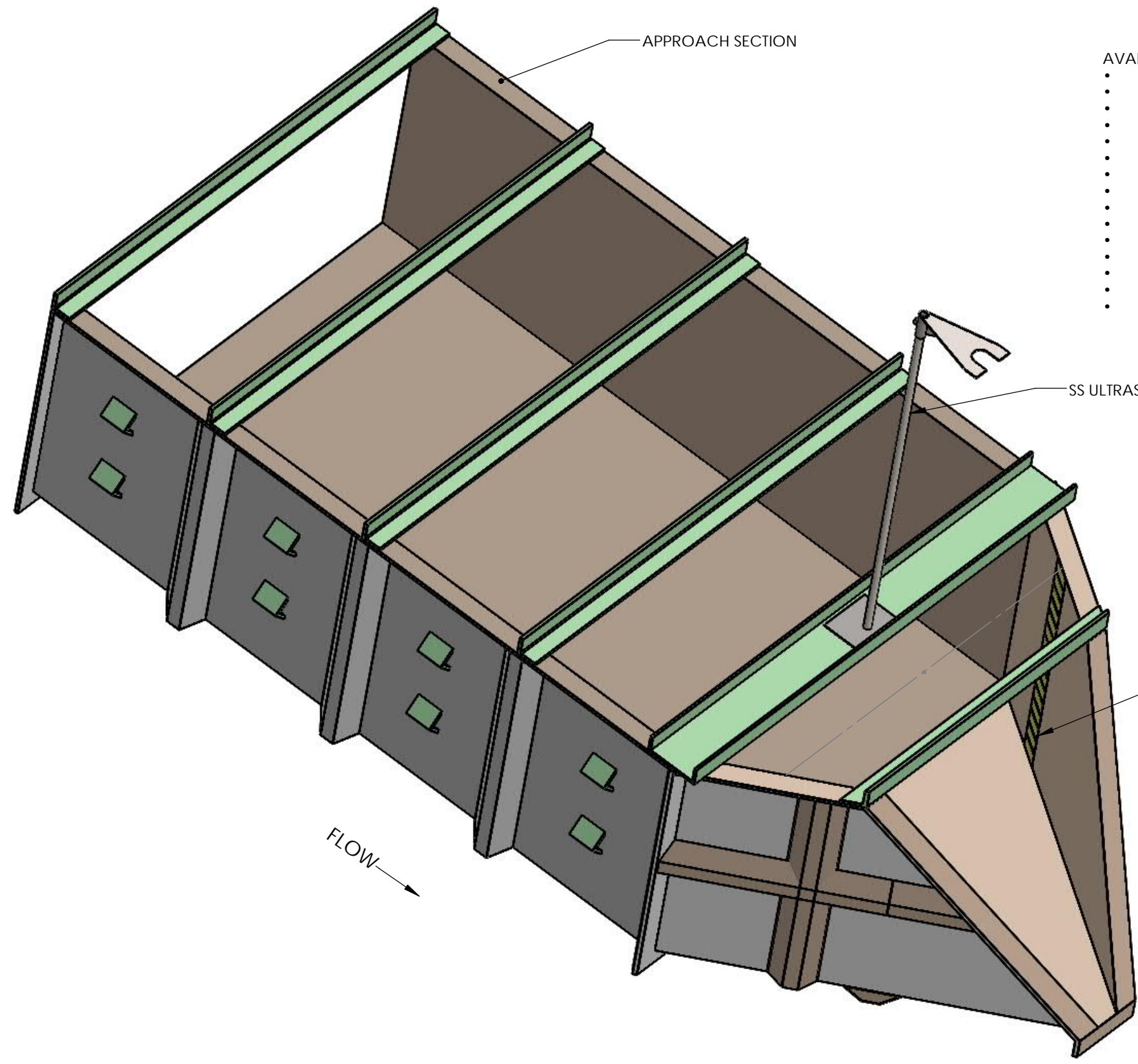


8 7 6 5 4 3 2 1

D
C
B
A



APPROACH SECTION

AVAILABLE OPTIONS:

- STAFF GAUGE (ENGLISH OR METRIC).
- STILLING WELL (INTEGRAL OR REMOTE).
- BUBBLER TUBE (SS 1/8" ID, INTEGRAL OR REMOVABLE).
- SAMPLER TUBE (SS 3/8" ID, INTEGRAL OR REMOVABLE).
- INLET APPROACH SECTIONS.
- PIPE STUBS.
- RUBBER PIPE COUPLERS W/ SS CLAMP BANDS.
- ADJUSTABLE SS ULTRASONIC BRACKET.
- PH PROBE CAVITY.
- WING WALLS.
- ENERGY ABSORBING RACKS. (FIXED OR REMOVABLE).
- STANDARD OR SPECIAL DEPTHS (INCLUDING SURGE BOXES).
- FLUME COVERS (GRATING, FIBER SHEETING, CLEAR POLYCARBONATE).
- SPECIAL DESIGN (TO MEET SPECIAL PROJECT NEEDS).
- STANDARD COLOR IS BEIGE (CUSTOM COLORS AVAILABLE).

SS ULTRASONIC BRACKET

STAFF GAUGE

FLOW →

| | | |
|--------------------------------------|-----------------------------|---------------|
| UNLESS OTHERWISE SPECIFIED: | NAME | DATE |
| DIMENSIONS ARE IN INCHES | DRAWN | LVR 8/28/2020 |
| TOLERANCES: | CHECKED | |
| FRACTIONAL ± | ENG APPR. | |
| ANGULAR: MACH ± BEND ± | MFG APPR. | |
| TWO PLACE DECIMAL ± | Q.A. | |
| THREE PLACE DECIMAL ± | | |
| INTERPRET GEOMETRIC TOLERANCING PER: | <p>3rd ANGLE PROJECTION</p> | |
| MATERIAL | | |
| POLYESTER RESIN FINISH | | |
| DO NOT SCALE DRAWING | | |

VPC FIBERGLASS 10478 Ridge Rd., Medina NY 14103
 Toll Free: 888-290-9522 Phone: 585-735-9668

| | | |
|-----------------------|--------------|--------------|
| TITLE: 1.5H FLUME | | |
| Project: WITH OPTIONS | | |
| SIZE B | DWG. NO. | REV A |
| SCALE: 1:8 | Weight 89.83 | SHEET 1 OF 5 |

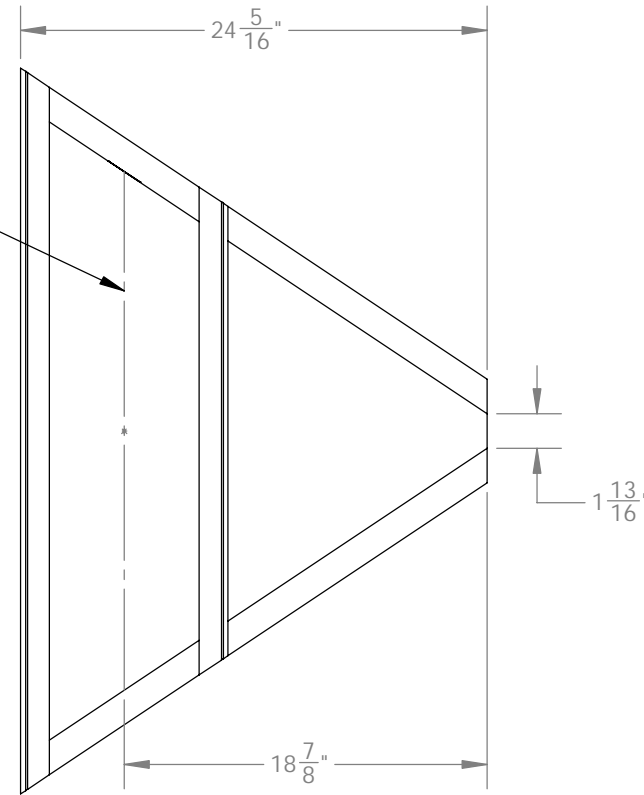
PROPRIETARY AND CONFIDENTIAL
 THE INFORMATION CONTAINED IN THIS DRAWING IS THE SOLE PROPERTY OF VIRTUAL POLYMER COMPOUNDS, LLC. ANY REPRODUCTION IN PART OR AS A WHOLE WITHOUT THE WRITTEN PERMISSION OF VIRTUAL POLYMER COMPOUNDS, LLC IS PROHIBITED.

8 7 6 5 4 3 2 1

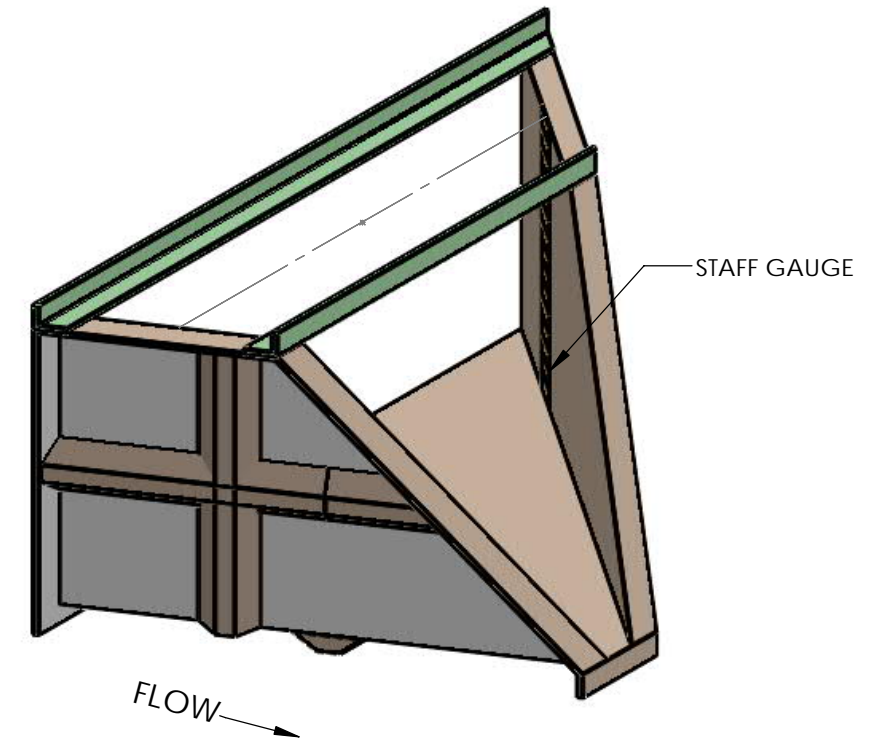
8 7 6 5 4 3 2 1

HEAD MEASUREMENT LOCATION

FLOW →

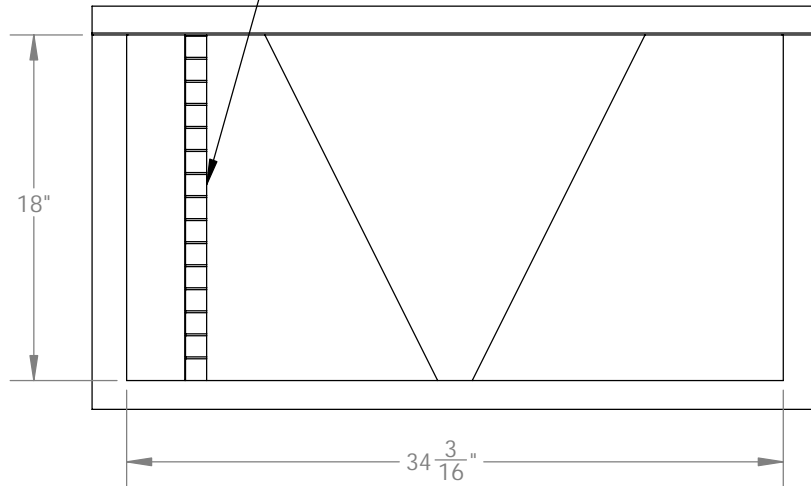


PLAN VIEW

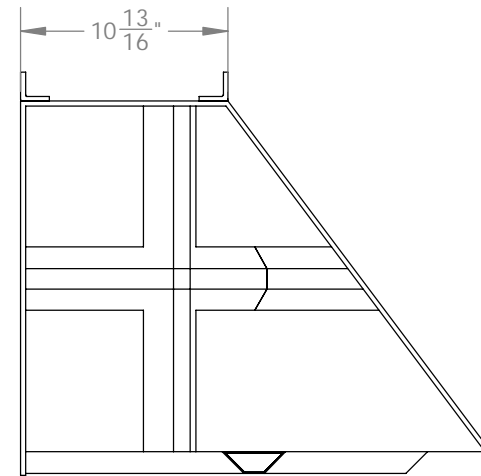


ISOMETRIC VIEW

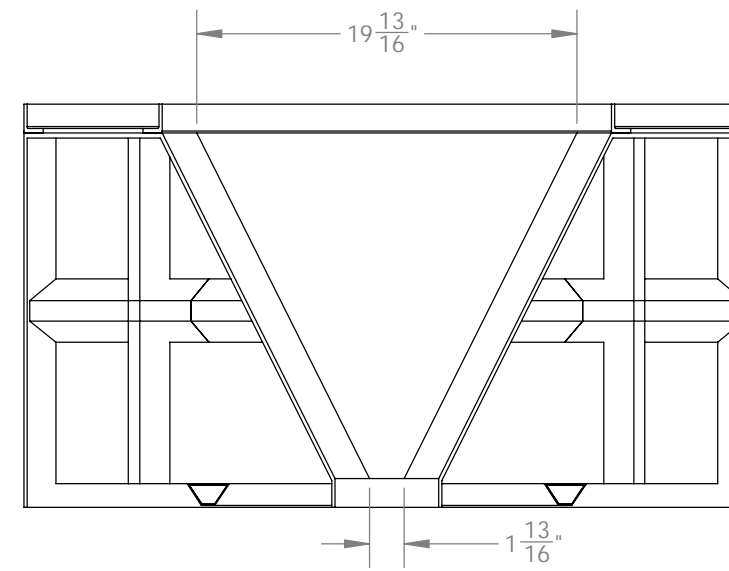
STAFF GAUGE



END VIEW
(LOOKING DOWN STREAM)



SIDE VIEW



END VIEW
(LOOKING UP STREAM)

PROPRIETARY AND CONFIDENTIAL
THE INFORMATION CONTAINED IN THIS DRAWING IS THE SOLE PROPERTY OF Virtual Polymer Compounds, LLC. ANY REPRODUCTION IN PART OR AS A WHOLE WITHOUT THE WRITTEN PERMISSION OF Virtual Polymer Compounds, LLC IS PROHIBITED.

UNLESS OTHERWISE SPECIFIED:
DIMENSIONS ARE IN INCHES
TOLERANCES:
FRACTIONAL ±
ANGULAR: MACH ± BEND ±
TWO PLACE DECIMAL ±
THREE PLACE DECIMAL ±
INTERPRET GEOMETRIC TOLERANCING PER:
MATERIAL POLYESTER RESIN
FINISH
DO NOT SCALE DRAWING

| | NAME | DATE |
|-----------|------|-----------|
| DRAWN | LVR | 8/28/2020 |
| CHECKED | | |
| ENG APPR. | | |
| MFG APPR. | | |
| Q.A. | | |

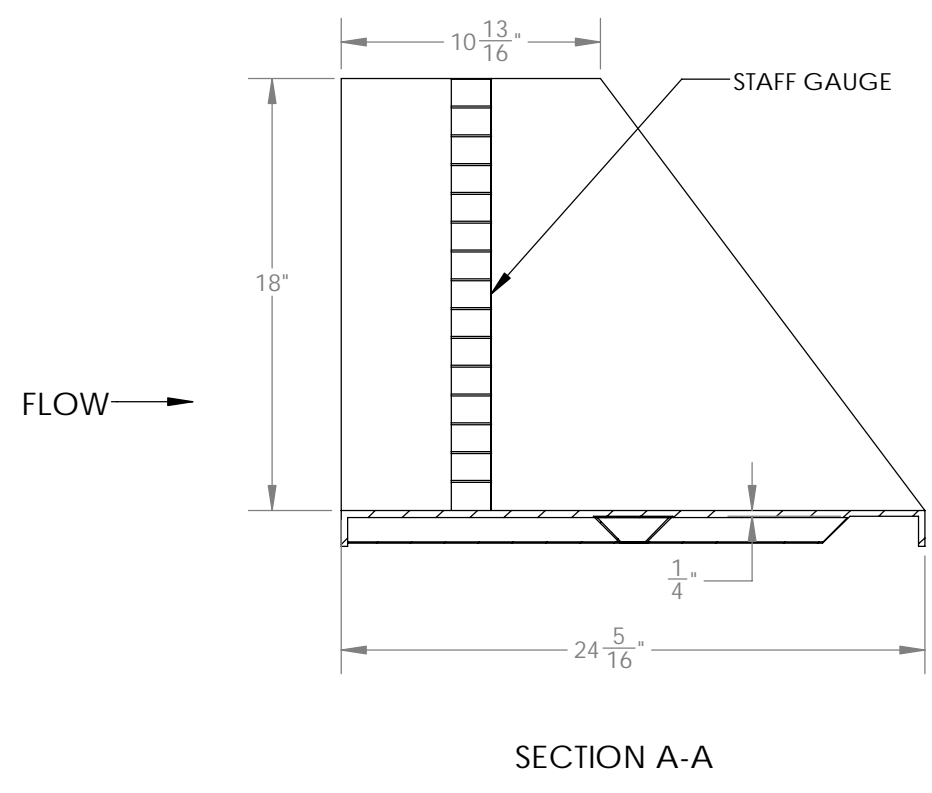
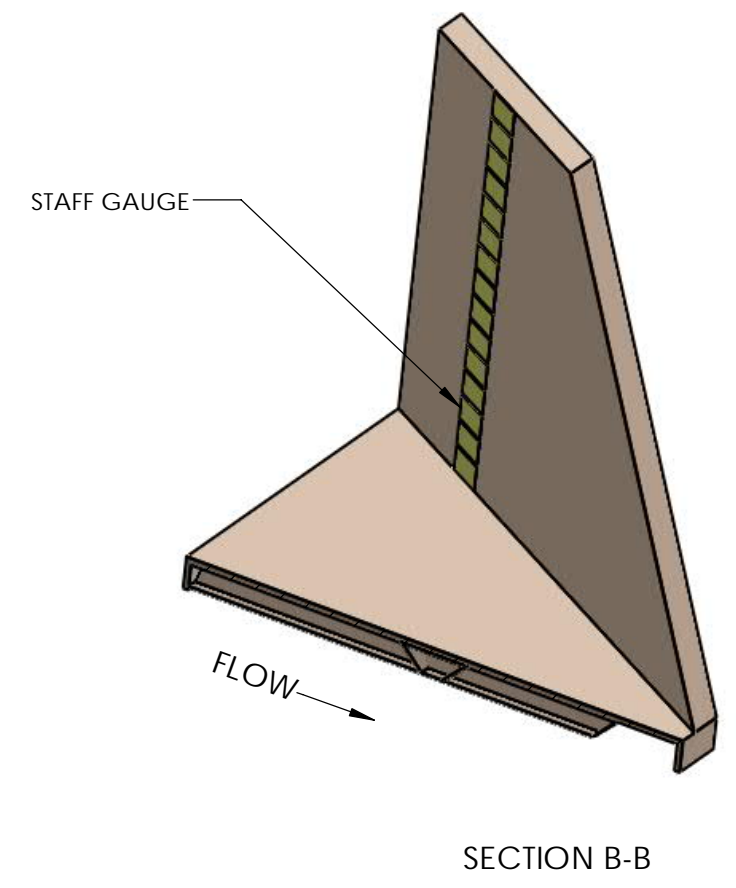
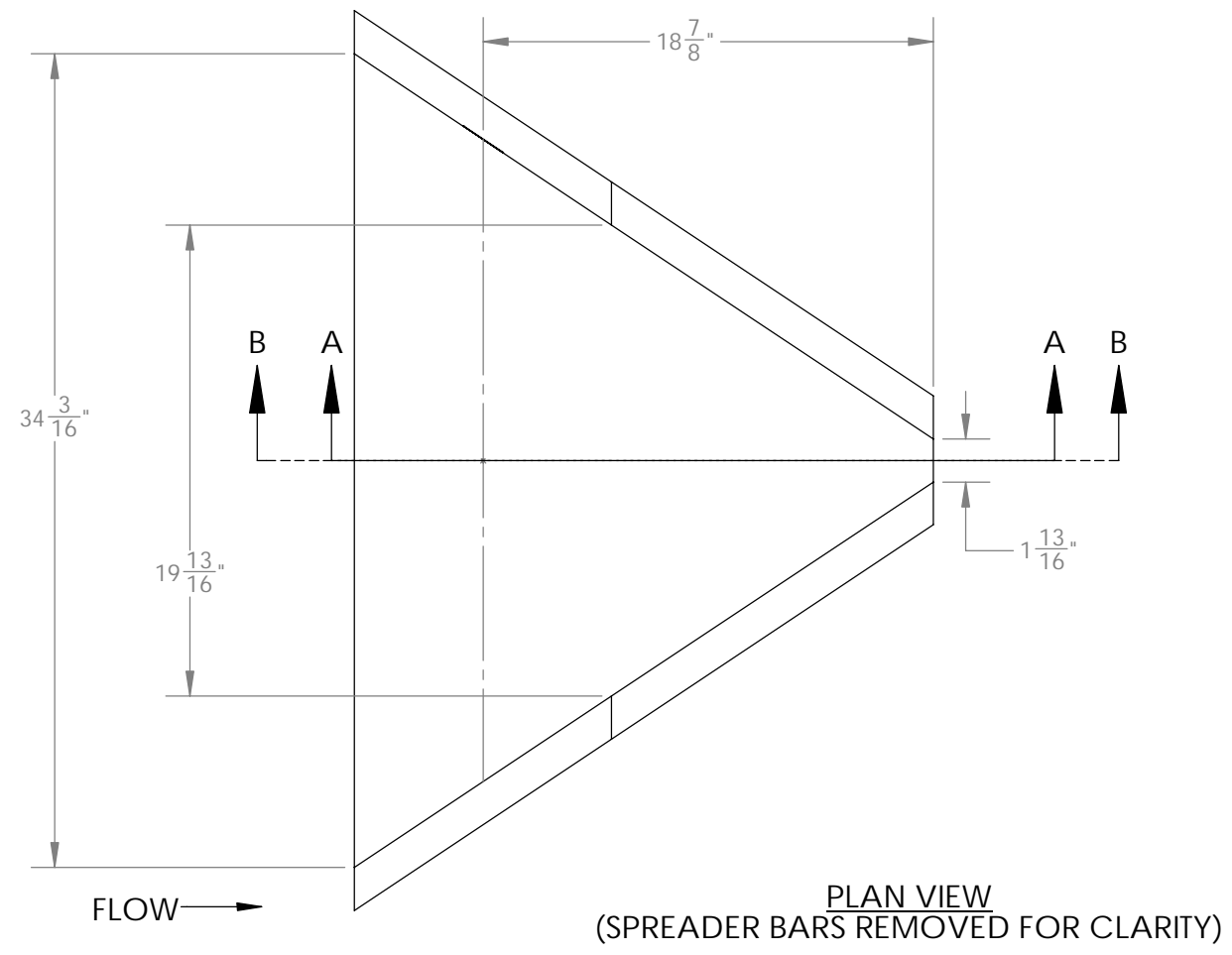
COMMENTS:
3rd ANGLE PROJECTION

VPC FIBERGLASS
10478 Ridge Rd., Medina NY 14103
Toll Free: 888-290-9522
Phone: 585-735-9668

| | | |
|---------------------|--------------|--------------|
| TITLE: 1.5H FLUME | | |
| Project: NO OPTIONS | | |
| SIZE B | DWG. NO. | REV A |
| SCALE: 1:10 | Weight 23.38 | SHEET 2 OF 5 |

8 7 6 5 4 3 2 1

8 7 6 5 4 3 2 1



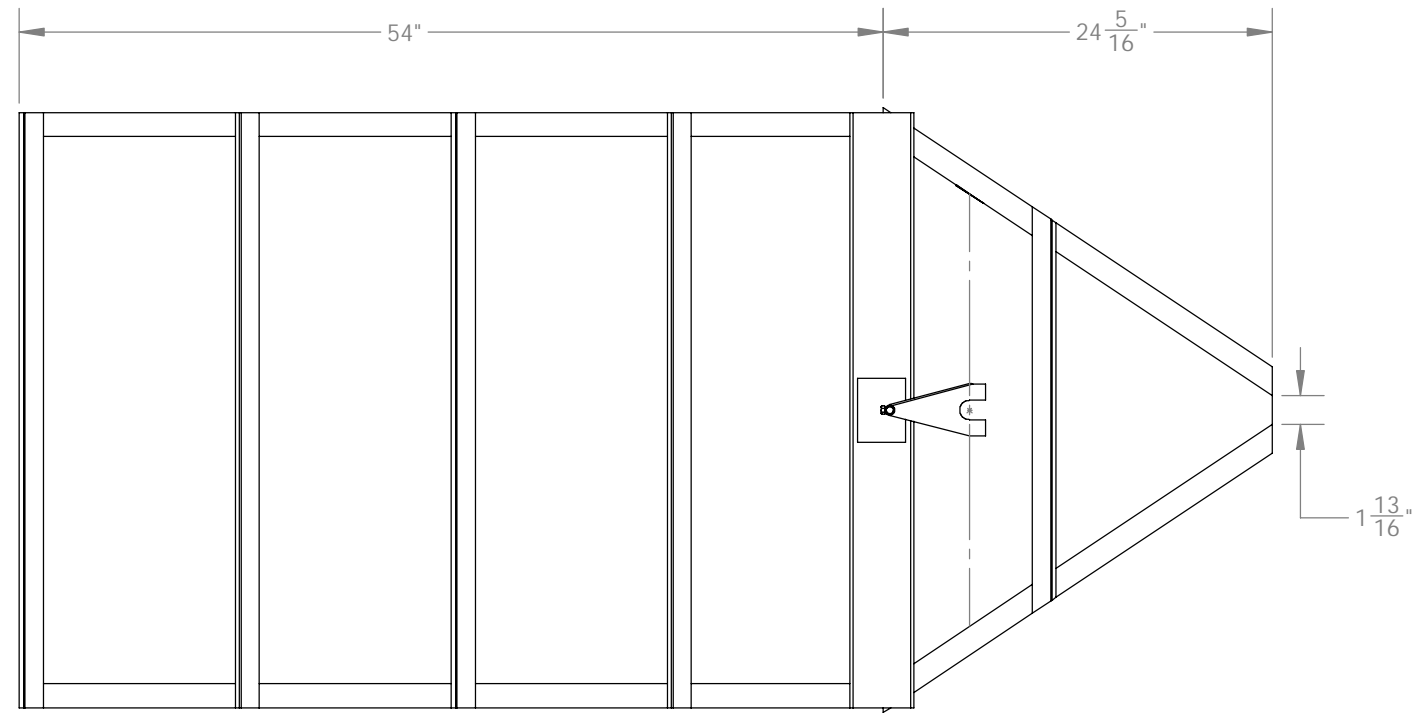
PROPRIETARY AND CONFIDENTIAL
THE INFORMATION CONTAINED IN THIS
DRAWING IS THE SOLE PROPERTY OF
Virtual Polymer Compounds, LLC. ANY
REPRODUCTION IN PART OR AS A WHOLE
WITHOUT THE WRITTEN PERMISSION OF
Virtual Polymer Compounds, LLC IS
PROHIBITED.

| | | |
|--------------------------------------|----------------------|---------------|
| UNLESS OTHERWISE SPECIFIED: | NAME | DATE |
| DIMENSIONS ARE IN INCHES | DRAWN | LVR 8/28/2020 |
| TOLERANCES: | CHECKED | |
| FRACTIONAL ± | ENG APPR. | |
| ANGULAR: MACH ± BEND ± | MFG APPR. | |
| TWO PLACE DECIMAL ± | Q.A. | |
| THREE PLACE DECIMAL ± | COMMENTS: | |
| INTERPRET GEOMETRIC TOLERANCING PER: | | |
| MATERIAL | POLYESTER RESIN | |
| FINISH | | |
| DO NOT SCALE DRAWING | 3rd ANGLE PROJECTION | |

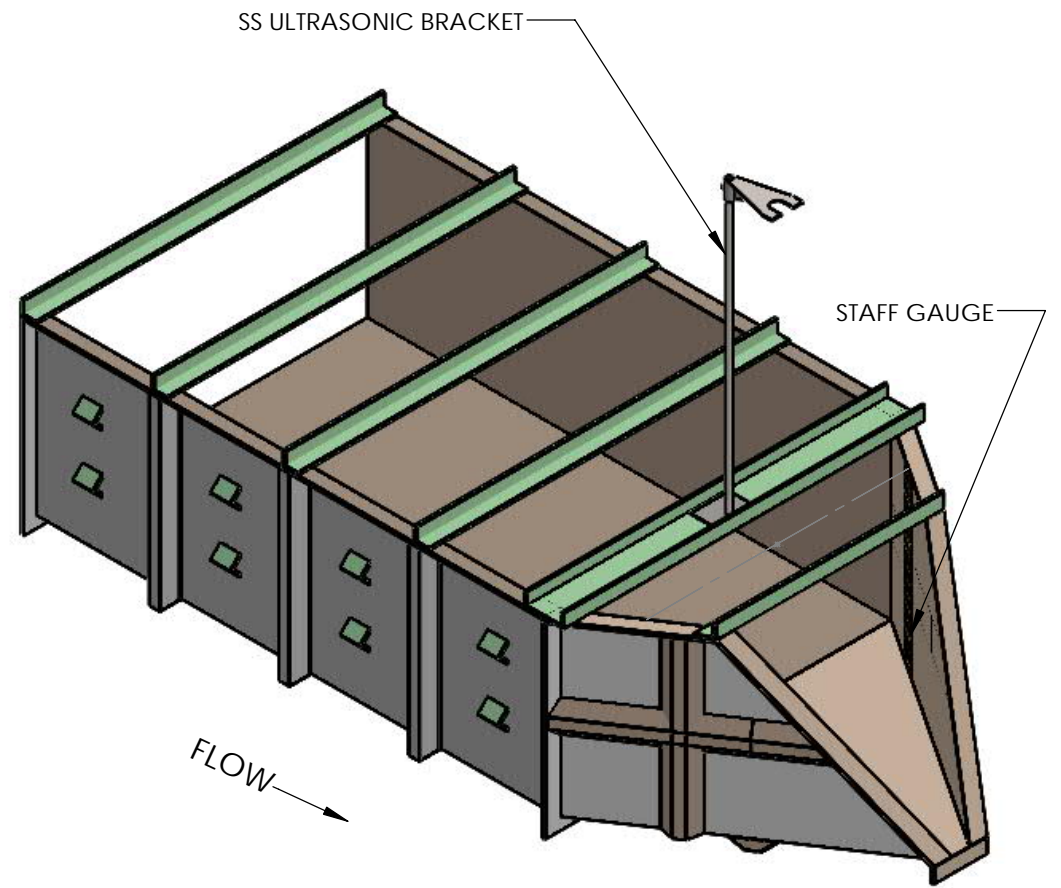
| | | | |
|------------|--------------|---|--|
| | | 10478 Ridge Rd., Medina NY 14103 Toll Free: 888-290-9522 Phone: 585-735-9668 | |
| TITLE: | | 1.5H FLUME | |
| Project: | | NO OPTIONS | |
| SIZE | DWG. NO. | REV | |
| B | | A | |
| SCALE: 1:8 | Weight 23.38 | SHEET 3 OF 5 | |

8 7 6 5 4 3 2 1

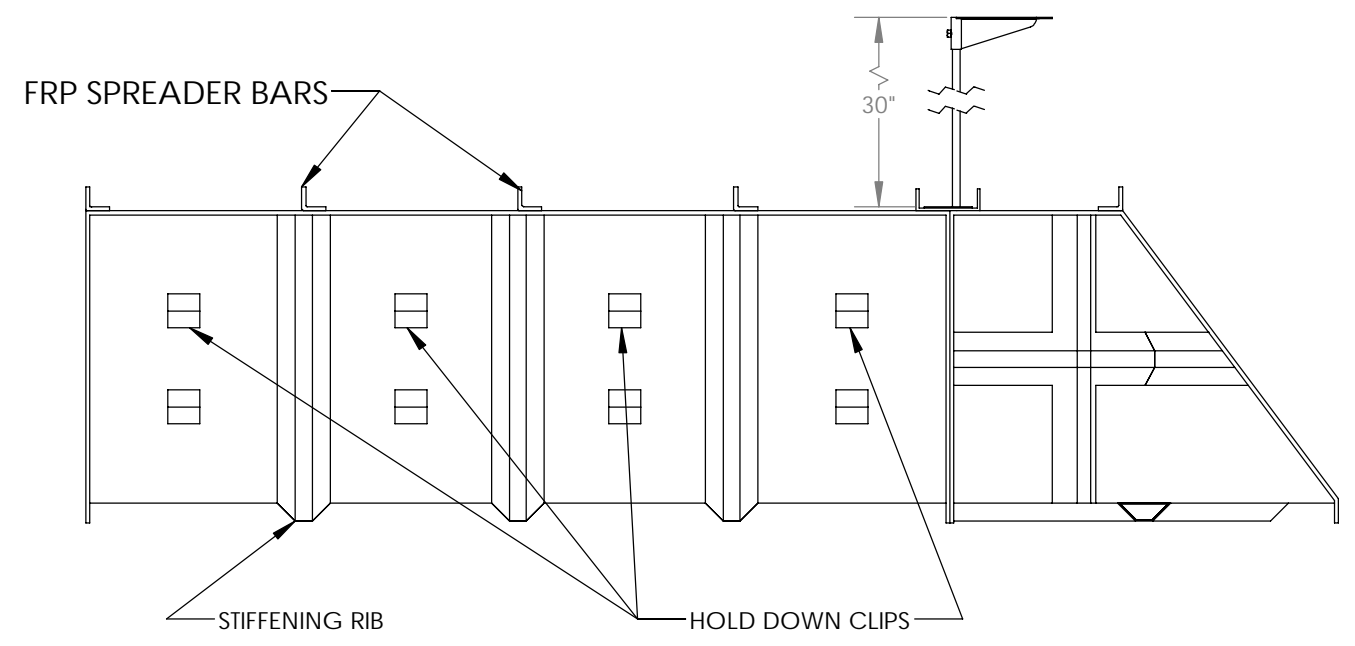
8 7 6 5 4 3 2 1



FLOW → PLAN VIEW



ISOMETRIC VIEW
SCALE: 1:14



FLOW → SIDE VIEW

PROPRIETARY AND CONFIDENTIAL
THE INFORMATION CONTAINED IN THIS DRAWING IS THE SOLE PROPERTY OF Virtual Polymer Compounds, LLC. ANY REPRODUCTION IN PART OR AS A WHOLE WITHOUT THE WRITTEN PERMISSION OF Virtual Polymer Compounds, LLC IS PROHIBITED.

UNLESS OTHERWISE SPECIFIED:
DIMENSIONS ARE IN INCHES
TOLERANCES:
FRACTIONAL ±
ANGULAR: MACH ± BEND ±
TWO PLACE DECIMAL ±
THREE PLACE DECIMAL ±

INTERPRET GEOMETRIC TOLERANCING PER:
MATERIAL POLYESTER RESIN
FINISH

DO NOT SCALE DRAWING

| | NAME | DATE |
|-----------|------|-----------|
| DRAWN | LVR | 8/28/2020 |
| CHECKED | | |
| ENG APPR. | | |
| MFG APPR. | | |
| Q.A. | | |
| COMMENTS: | | |

VPC 10478 Ridge Rd., Medina NY 14103
FIBERGLASS Toll Free: 888-290-9522 Phone: 585-735-9668

TITLE: 1.5H FLUME

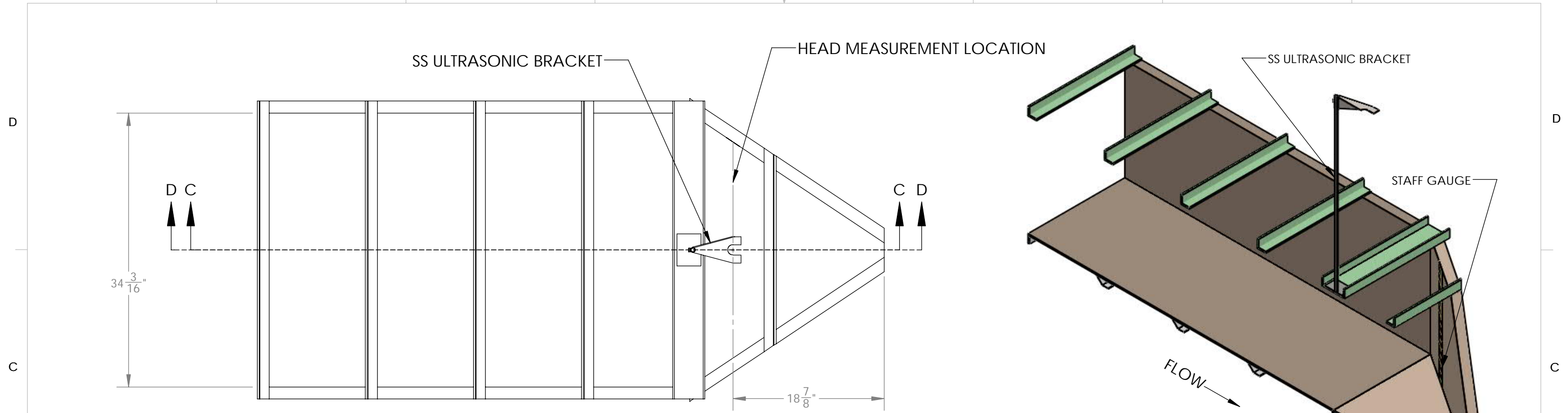
Project: WITH OPTIONS

| | | |
|--------|----------|-------|
| SIZE B | DWG. NO. | REV A |
|--------|----------|-------|

SCALE: 1:12 Weight 89.83 SHEET 4 OF 5

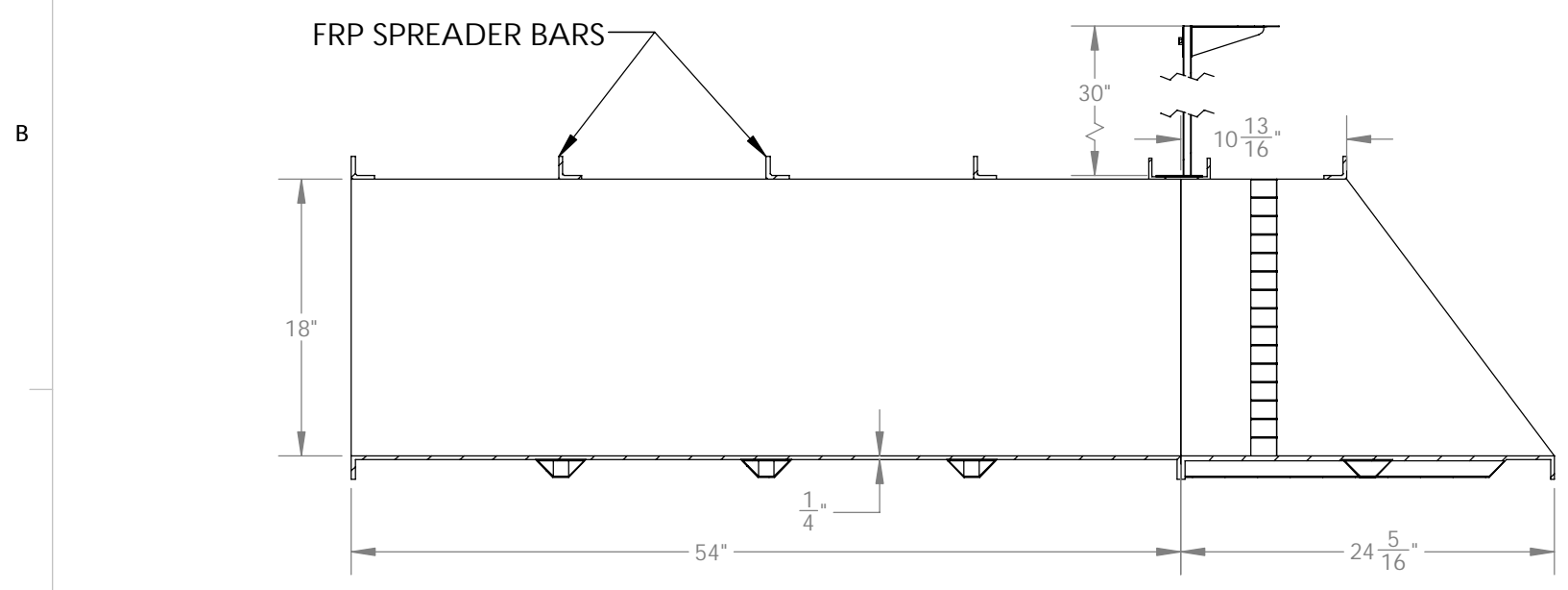
8 7 6 5 4 3 2 1

8 7 6 5 4 3 2 1




PLAN VIEW

SECTION D-D
SCALE 1 : 12



SECTION C-C

PROPRIETARY AND CONFIDENTIAL
THE INFORMATION CONTAINED IN THIS DRAWING IS THE SOLE PROPERTY OF Virtual Polymer Compounds, LLC. ANY REPRODUCTION IN PART OR AS A WHOLE WITHOUT THE WRITTEN PERMISSION OF Virtual Polymer Compounds, LLC IS PROHIBITED.

| | | | | |
|---|--|-----------|---------------|---|
| UNLESS OTHERWISE SPECIFIED: | | NAME | DATE |  VPC 10478 Ridge Rd., Medina NY 14103 Toll Free: 888-290-9522 Phone: 585-735-9668 |
| DIMENSIONS ARE IN INCHES TOLERANCES: FRACTIONAL ± ANGULAR: MACH ± BEND ± TWO PLACE DECIMAL ± THREE PLACE DECIMAL ± | | DRAWN | LVR 8/28/2020 | |
| INTERPRET GEOMETRIC TOLERANCING PER: | | CHECKED | | TITLE: 1.5H FLUME |
| MATERIAL POLYESTER RESIN FINISH | | ENG APPR. | | Project: WITH OPTIONS |
| DO NOT SCALE DRAWING | | MFG APPR. | | SIZE DWG. NO. REV B |
| 3rd ANGLE PROJECTION | | Q.A. | | SCALE: 1:12 Weight 89.83 SHEET 5 OF 5 |
| | | COMMENTS: | | |

8 7 6 5 4 3 2 1