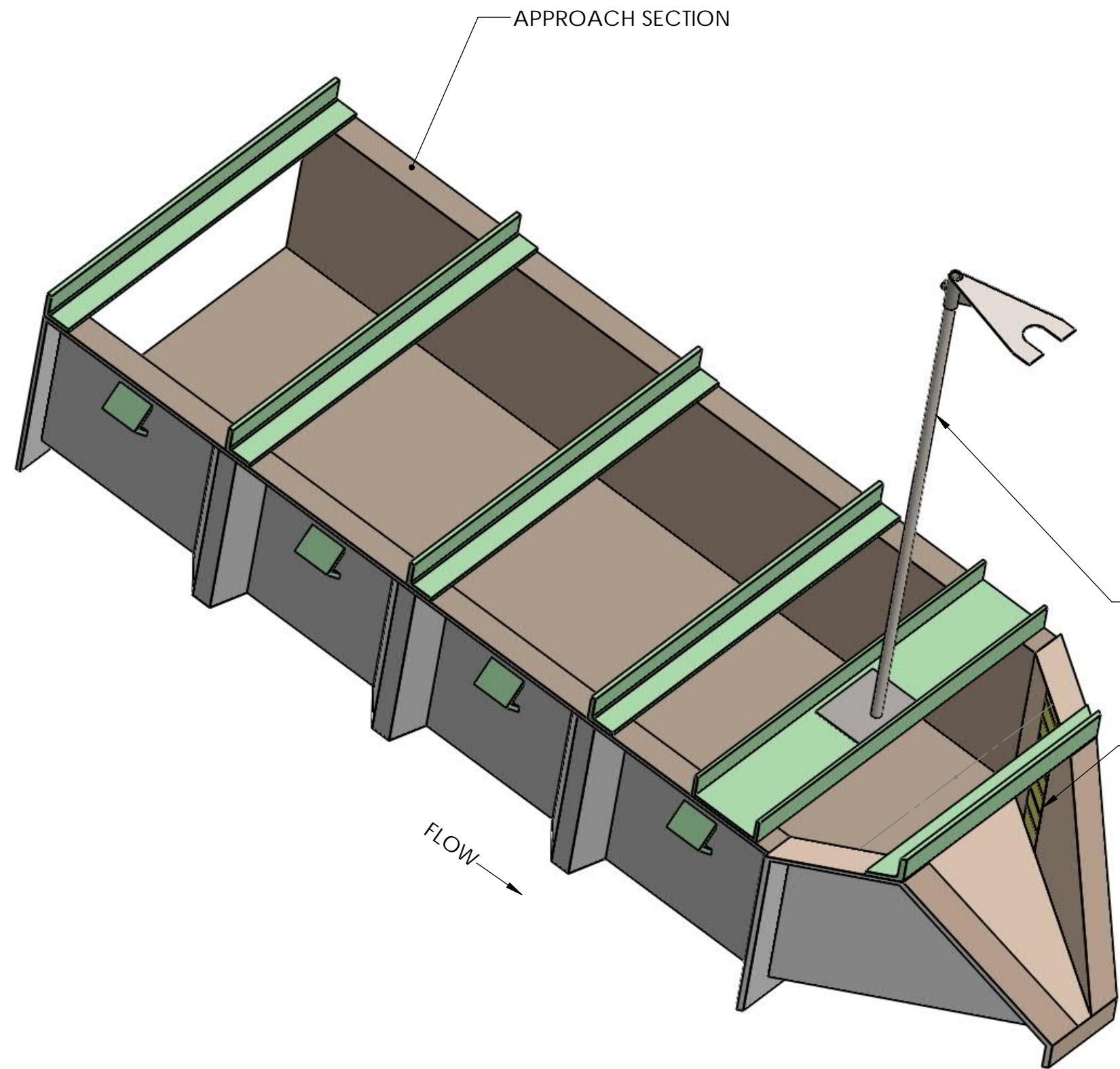


8 7 6 5 4 3 2 1

D
C
B
A



- AVAILABLE OPTIONS:
- STAFF GAUGE (ENGLISH OR METRIC).
 - STILLING WELL (INTEGRAL OR REMOTE).
 - BUBBLER TUBE (SS 1/8" ID, INTEGRAL OR REMOVABLE).
 - SAMPLER TUBE (SS 3/8" ID, INTEGRAL OR REMOVABLE).
 - INLET APPROACH SECTIONS.
 - PIPE STUBS.
 - RUBBER PIPE COUPLERS W/ SS CLAMP BANDS.
 - ADJUSTABLE SS ULTRASONIC BRACKET.
 - PH PROBE CAVITY.
 - WING WALLS.
 - ENERGY ABSORBING RACKS. (FIXED OR REMOVABLE).
 - STANDARD OR SPECIAL DEPTHS (INCLUDING SURGE BOXES).
 - FLUME COVERS (GRATING, FIBER SHEETING, CLEAR POLYCARBONATE).
 - SPECIAL DESIGN (TO MEET SPECIAL PROJECT NEEDS).
 - STANDARD COLOR IS BEIGE (CUSTOM COLORS AVAILABLE).

SS ULTRASONIC BRACKET

STAFF GAUGE

FLOW →

PROPRIETARY AND CONFIDENTIAL
 THE INFORMATION CONTAINED IN THIS
 DRAWING IS THE SOLE PROPERTY OF
 VIRTUAL POLYMER COMPOUNDS, LLC. ANY
 REPRODUCTION IN PART OR AS A WHOLE
 WITHOUT THE WRITTEN PERMISSION OF
 VIRTUAL POLYMER COMPOUNDS, LLC IS
 PROHIBITED.

UNLESS OTHERWISE SPECIFIED:
 DIMENSIONS ARE IN INCHES
 TOLERANCES:
 FRACTIONAL ±
 ANGULAR: MACH ± BEND ±
 TWO PLACE DECIMAL ±
 THREE PLACE DECIMAL ±

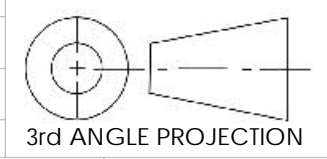
INTERPRET GEOMETRIC
 TOLERANCING PER:
 MATERIAL
 POLYESTER RESIN
 FINISH

DO NOT SCALE DRAWING

	NAME	DATE
DRAWN	LVR	8/27/2020
CHECKED		
ENG APPR.		
MFG APPR.		
Q.A.		

VPC 10478 Ridge Rd.,
 Medina NY 14103
 Toll Free: 888-290-9522
 Phone: 585-735-9668

TITLE: 0.75H FLUME		
Project: WITH OPTIONS		
SIZE B	DWG. NO.	REV A
SCALE: 1:6	Weight 38.27	SHEET 1 OF 5



8 7 6 5 4 3 2 1

8 7 6 5 4 3 2 1

D

C

B

A

D

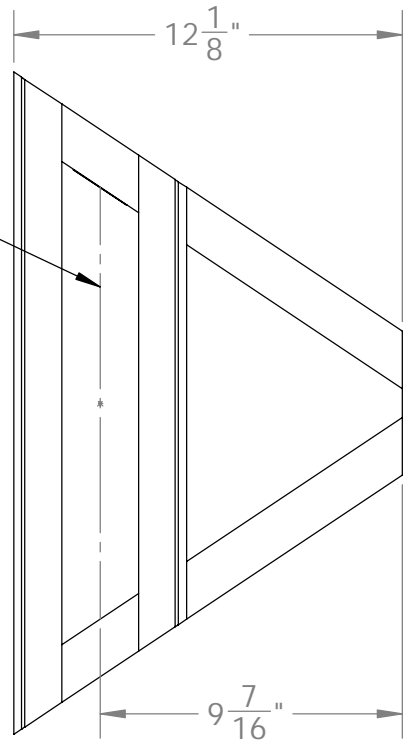
C

B

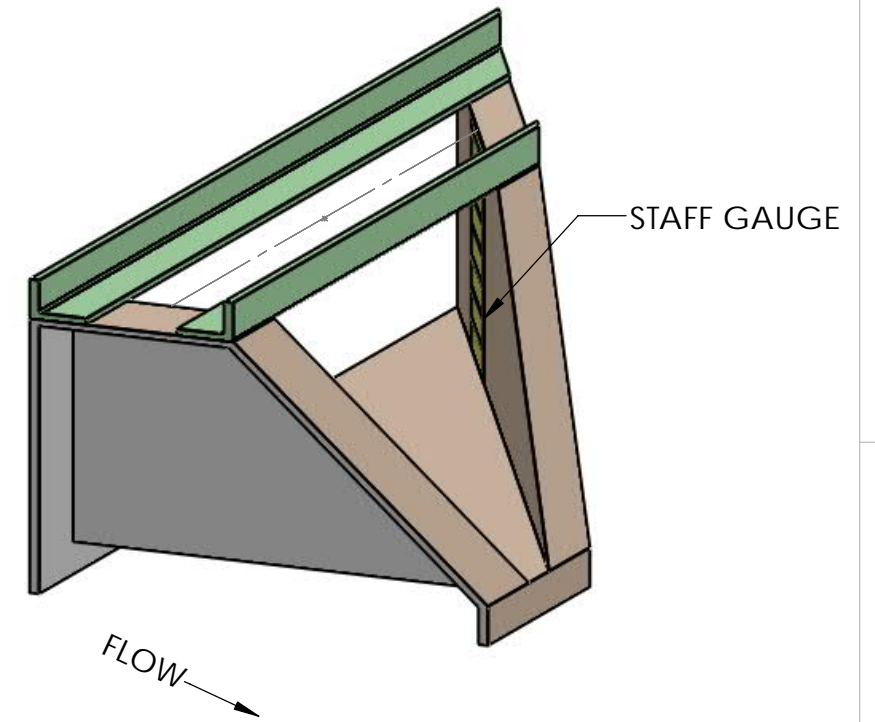
A

HEAD MEASUREMENT LOCATION

FLOW →

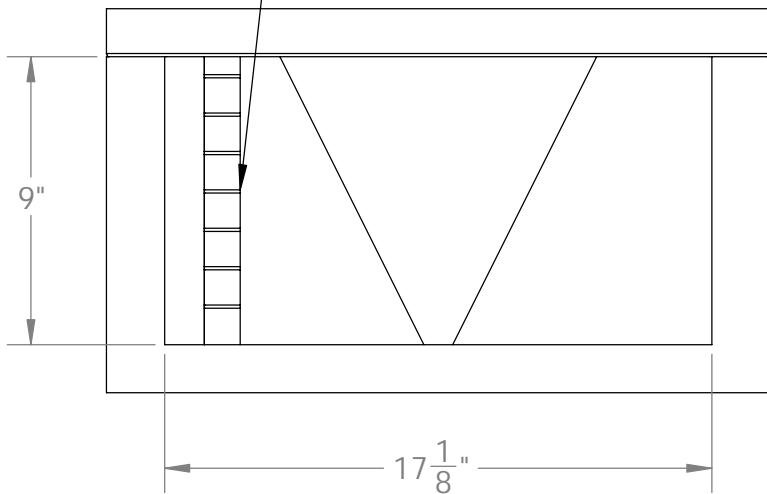


PLAN VIEW

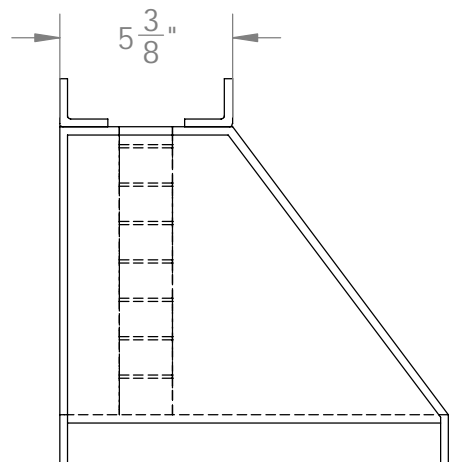


ISOMETRIC VIEW

STAFF GAUGE

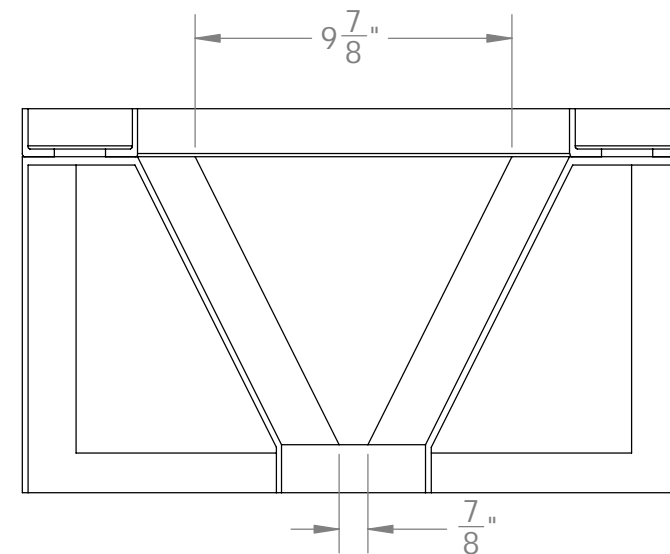


END VIEW
(LOOKING DOWN STREAM)



FLOW →

SIDE VIEW



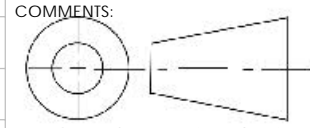
END VIEW
(LOOKING UP STREAM)

UNLESS OTHERWISE SPECIFIED:
DIMENSIONS ARE IN INCHES
TOLERANCES:
FRACTIONAL ±
ANGULAR: MACH ± BEND ±
TWO PLACE DECIMAL ±
THREE PLACE DECIMAL ±

INTERPRET GEOMETRIC TOLERANCING PER:
MATERIAL POLYESTER RESIN
FINISH

DO NOT SCALE DRAWING

NAME	DATE
LVR	8/27/2020
DRAWN	CHECKED
ENG APPR.	MFG APPR.



3rd ANGLE PROJECTION

VPC 10478 Ridge Rd., Medina NY 14103
FIBERGLASS Phone: 888-290-9522 585-735-9668

TITLE: 0.75H FLUME

Project: NO OPTIONS

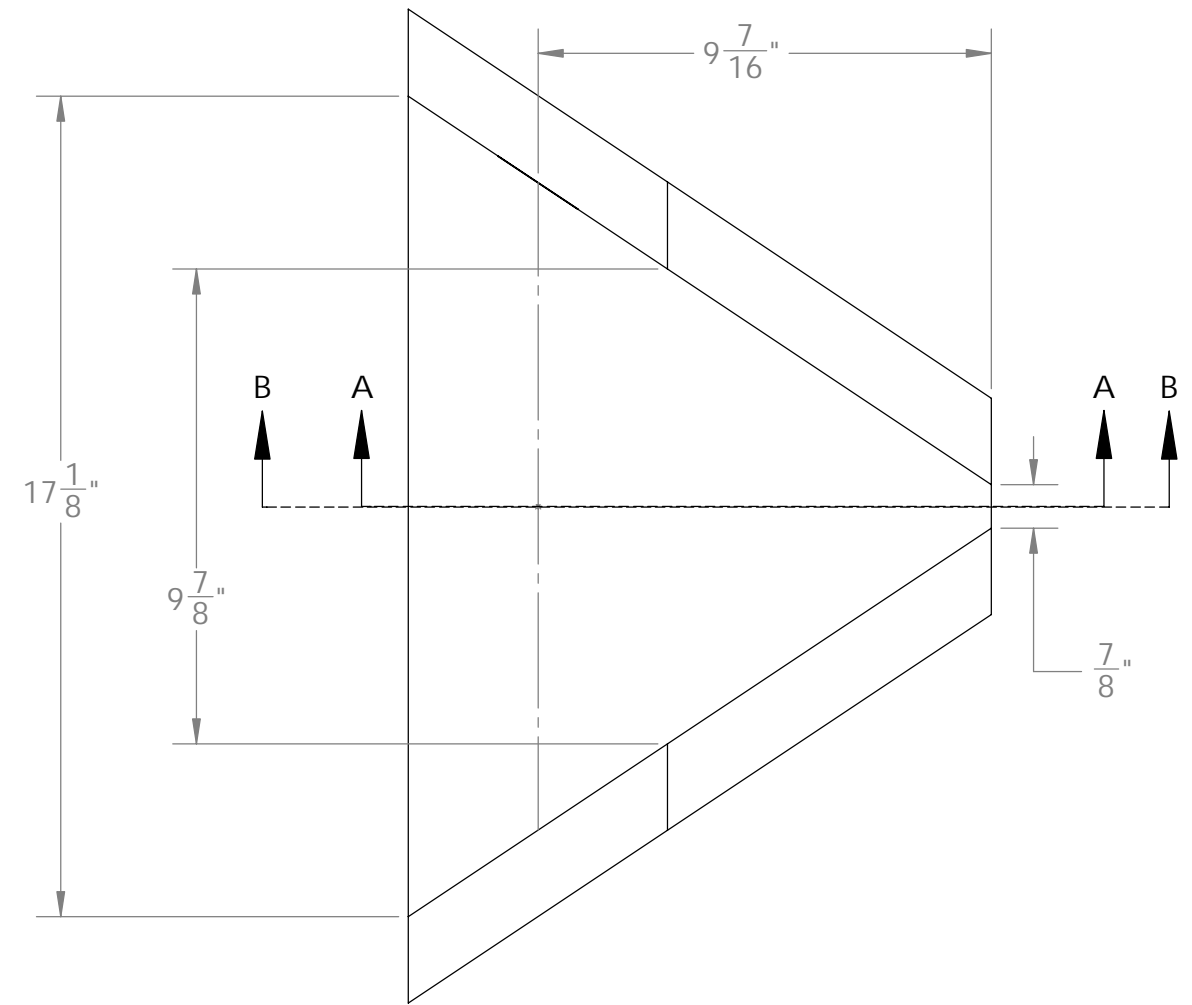
SIZE B	DWG. NO.	REV A
--------	----------	-------

SCALE: 1:6 Weight 6.63 SHEET 2 OF 5

PROPRIETARY AND CONFIDENTIAL
THE INFORMATION CONTAINED IN THIS DRAWING IS THE SOLE PROPERTY OF Virtual Polymer Compounds, LLC. ANY REPRODUCTION IN PART OR AS A WHOLE WITHOUT THE WRITTEN PERMISSION OF Virtual Polymer Compounds, LLC IS PROHIBITED.

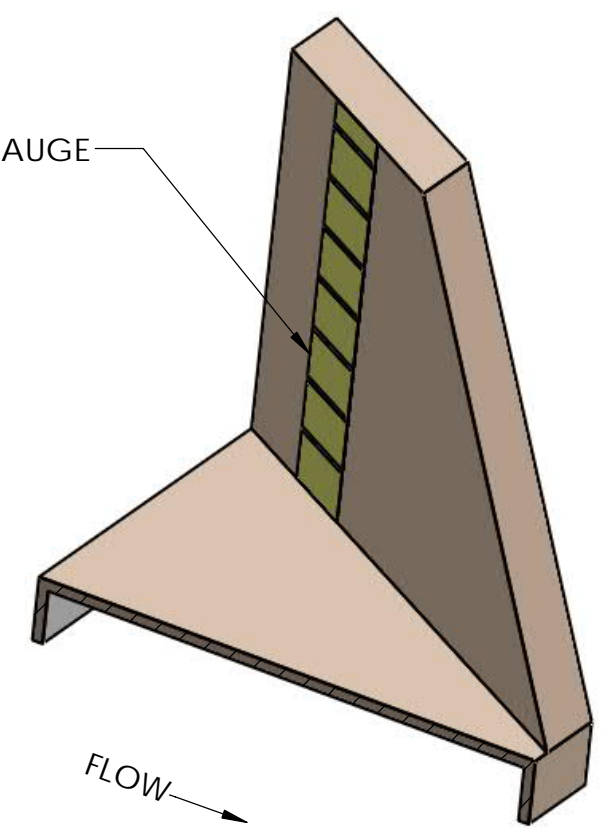
8 7 6 5 4 3 2 1

FLOW →



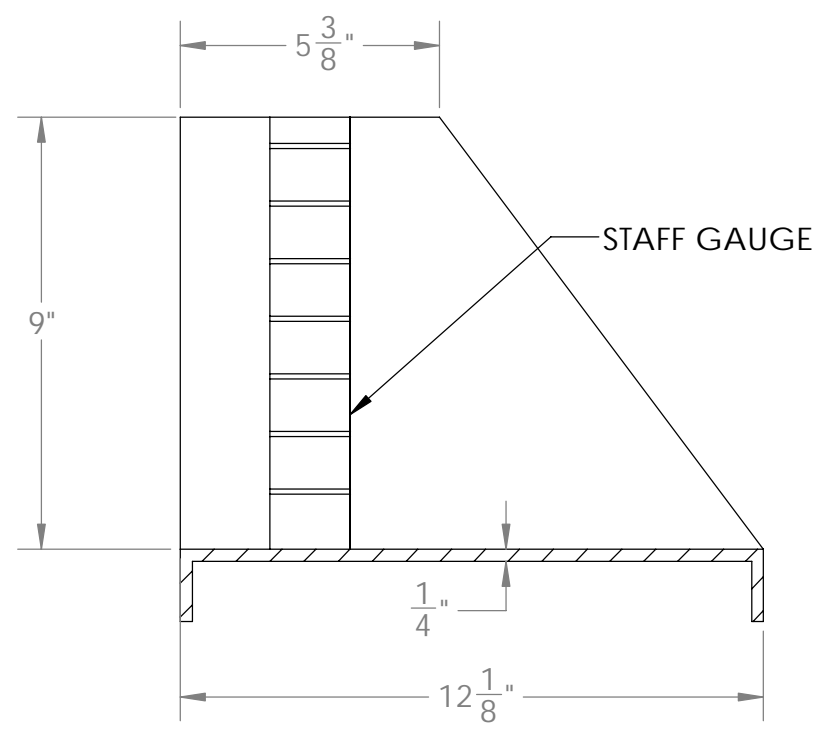
PLAN VIEW
(SPREADER BARS REMOVED FOR CLARITY)

STAFF GAUGE



SECTION B-B

FLOW →



SECTION A-A

PROPRIETARY AND CONFIDENTIAL
THE INFORMATION CONTAINED IN THIS
DRAWING IS THE SOLE PROPERTY OF
Virtual Polymer Compounds, LLC. ANY
REPRODUCTION IN PART OR AS A WHOLE
WITHOUT THE WRITTEN PERMISSION OF
Virtual Polymer Compounds, LLC IS
PROHIBITED.

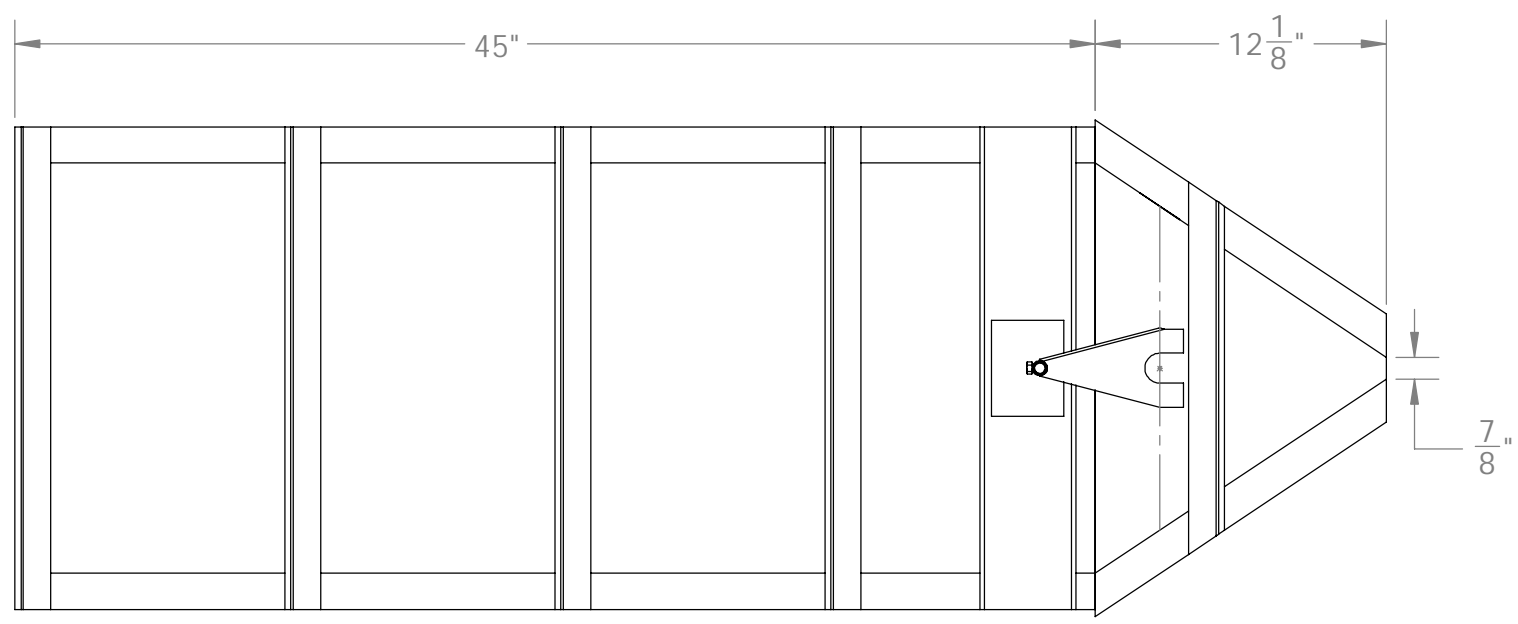
UNLESS OTHERWISE SPECIFIED:	NAME	DATE
DIMENSIONS ARE IN INCHES	DRAWN	LVR 8/27/2020
TOLERANCES:	CHECKED	
FRACTIONAL ±	ENG APPR.	
ANGULAR: MACH ± BEND ±	MFG APPR.	
TWO PLACE DECIMAL ±	Q.A.	
THREE PLACE DECIMAL ±	COMMENTS:	
INTERPRET GEOMETRIC TOLERANCING PER:		
MATERIAL	POLYESTER RESIN	
FINISH		
DO NOT SCALE DRAWING	3rd ANGLE PROJECTION	

VPC 10478 Ridge Rd.,
Medina NY 14103
Toll Free: 888-290-9522
FIBERGLASS Phone: 585-735-9668

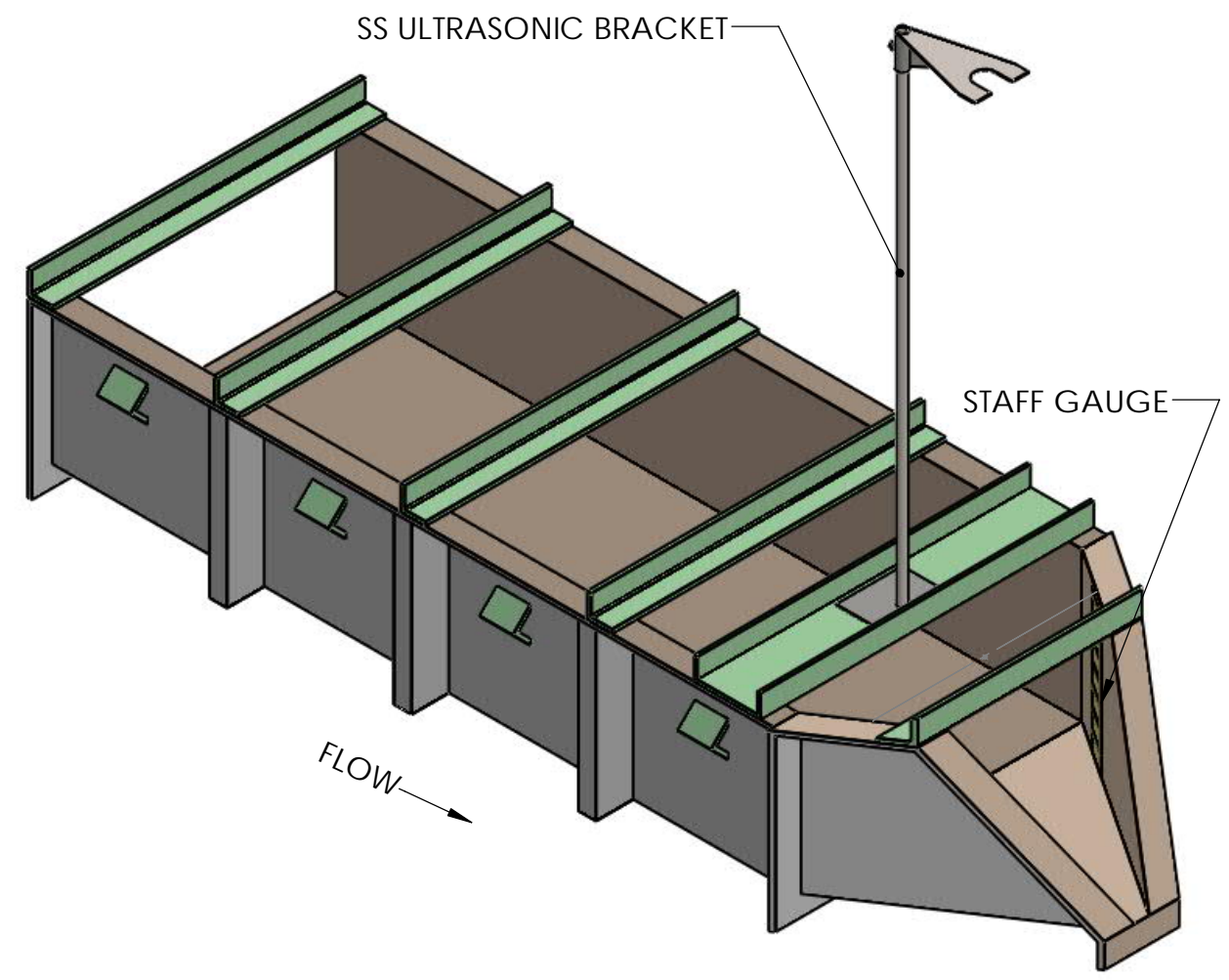
TITLE: 0.75H FLUME		
Project: NO OPTIONS		
SIZE B	DWG. NO.	REV A
SCALE: 1:4	Weight 6.63	SHEET 3 OF 5

8 7 6 5 4 3 2 1

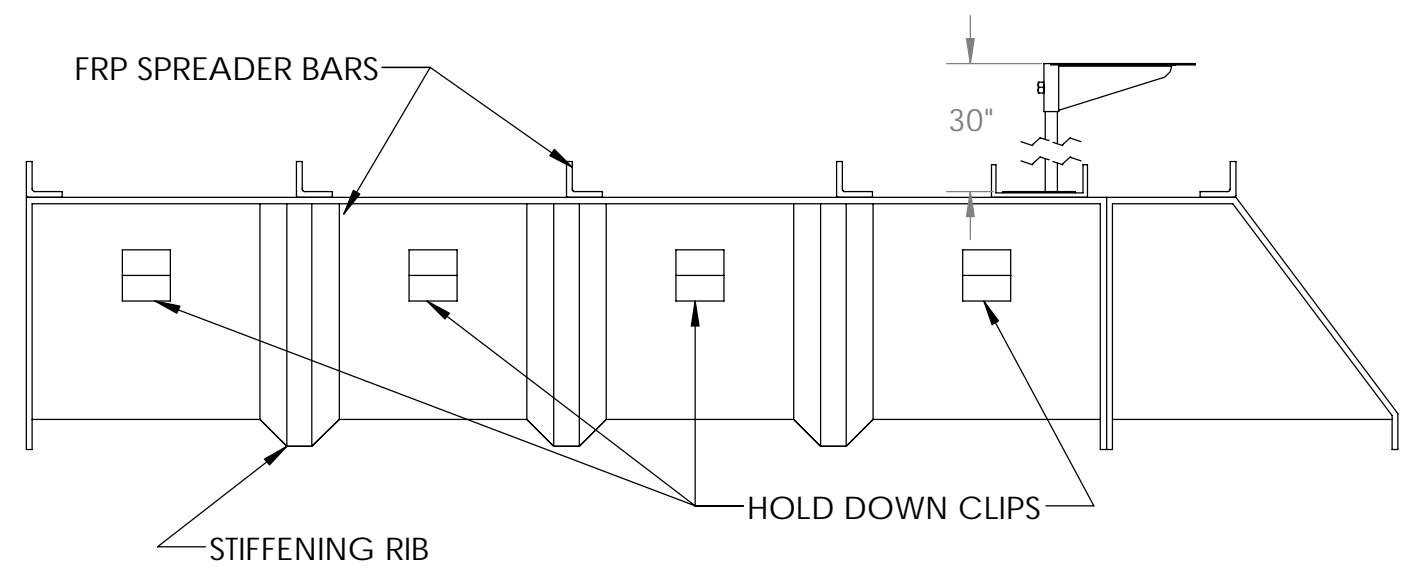
8 7 6 5 4 3 2 1



FLOW → PLAN VIEW



FLOW → ISOMETRIC VIEW



FLOW → SIDE VIEW

PROPRIETARY AND CONFIDENTIAL
 THE INFORMATION CONTAINED IN THIS DRAWING IS THE SOLE PROPERTY OF Virtual Polymer Compounds, LLC. ANY REPRODUCTION IN PART OR AS A WHOLE WITHOUT THE WRITTEN PERMISSION OF Virtual Polymer Compounds, LLC IS PROHIBITED.

UNLESS OTHERWISE SPECIFIED:

DIMENSIONS ARE IN INCHES
 TOLERANCES:
 FRACTIONAL ±
 ANGULAR: MACH ± BEND ±
 TWO PLACE DECIMAL ±
 THREE PLACE DECIMAL ±

INTERPRET GEOMETRIC TOLERANCING PER:

MATERIAL
 POLYESTER RESIN
 FINISH

DO NOT SCALE DRAWING

NAME	DATE
DRAWN LVR	8/27/2020
CHECKED	
ENG APPR.	
MFG APPR.	
Q.A.	

COMMENTS:

3rd ANGLE PROJECTION

10478 Ridge Rd.,
 Medina NY 14103
 Toll Free: 888-290-9522
 Phone: 585-735-9668

TITLE: 0.75H FLUME

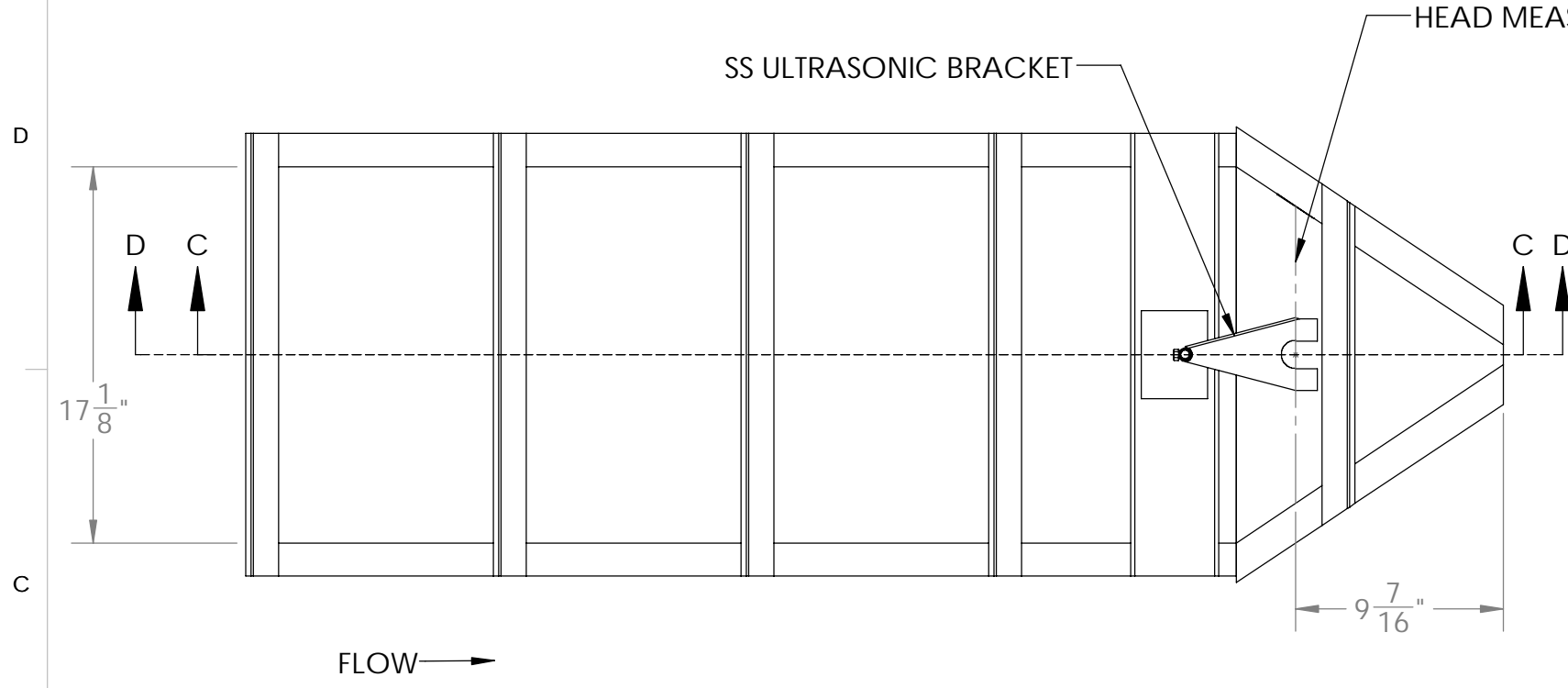
Project: WITH OPTIONS

SIZE B	DWG. NO.	REV A
--------	----------	-------

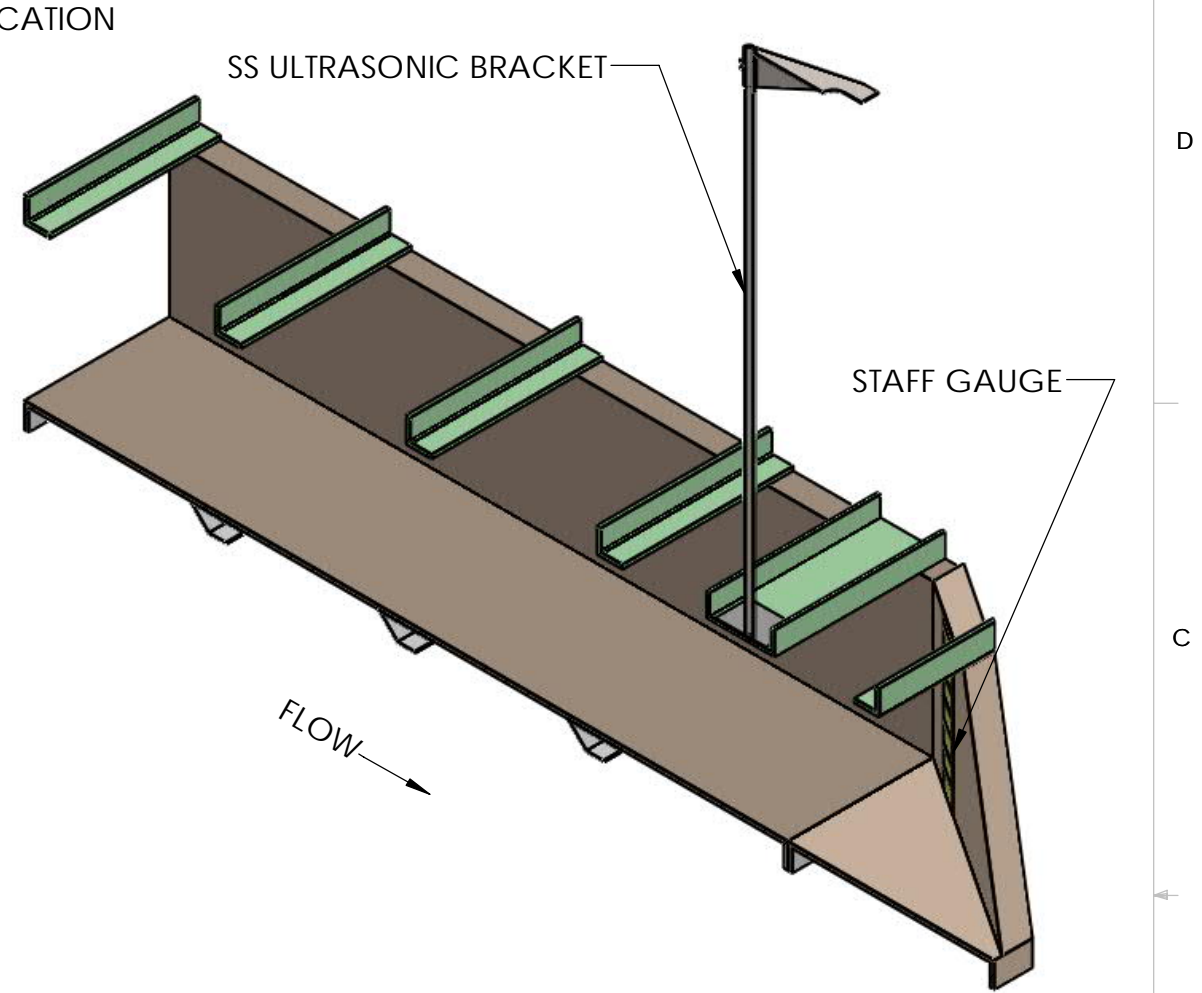
SCALE: 1:8 Weight 38.27 SHEET 4 OF 5

8 7 6 5 4 3 2 1

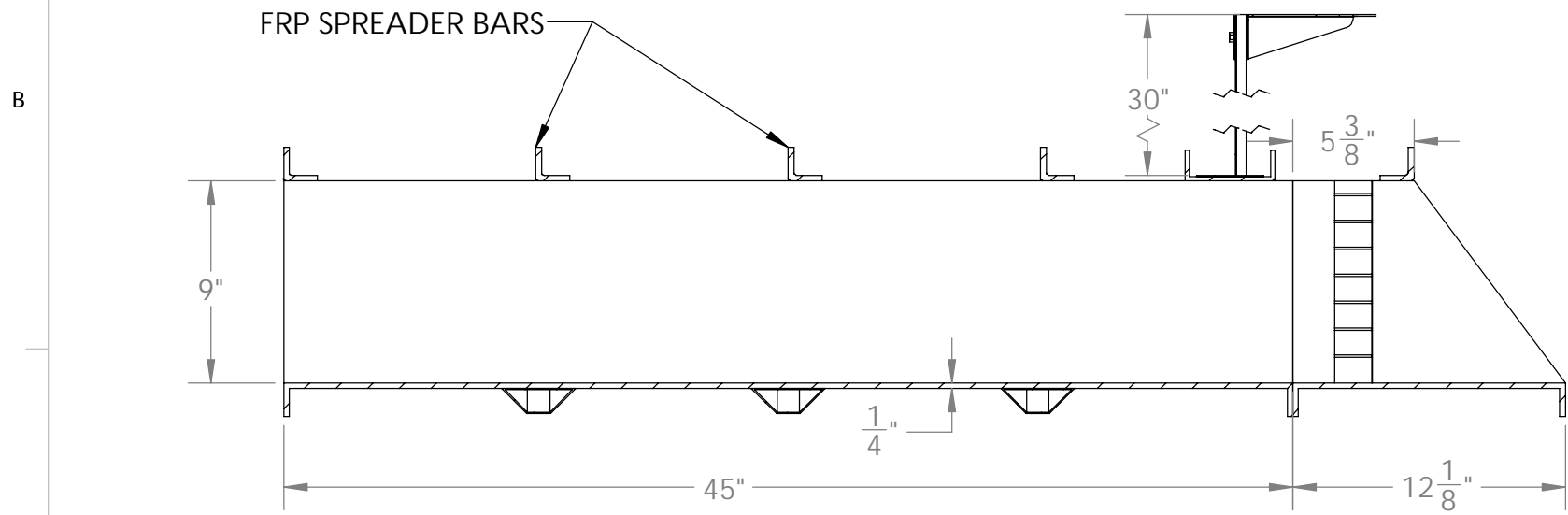
8 7 6 5 4 3 2 1



PLAN VIEW



SECTION D-D



SECTION C-C

A

A

PROPRIETARY AND CONFIDENTIAL
 THE INFORMATION CONTAINED IN THIS DRAWING IS THE SOLE PROPERTY OF Virtual Polymer Compounds, LLC. ANY REPRODUCTION IN PART OR AS A WHOLE WITHOUT THE WRITTEN PERMISSION OF Virtual Polymer Compounds, LLC IS PROHIBITED.

UNLESS OTHERWISE SPECIFIED:	NAME	DATE
DIMENSIONS ARE IN INCHES	DRAWN	LVR 8/27/2020
TOLERANCES:	CHECKED	
FRACTIONAL ±	ENG APPR.	
ANGULAR: MACH ± BEND ±	MFG APPR.	
TWO PLACE DECIMAL ±	Q.A.	
THREE PLACE DECIMAL ±	COMMENTS:	
INTERPRET GEOMETRIC TOLERANCING PER:		
MATERIAL		
POLYESTER RESIN	3rd ANGLE PROJECTION	
FINISH		
DO NOT SCALE DRAWING		

VPC 10478 Ridge Rd., Medina NY 14103
 FIBERGLASS Toll Free: 888-290-9522 Phone: 585-735-9668

TITLE: 0.75H FLUME		
Project: WITH OPTIONS		
SIZE B	DWG. NO.	REV A
SCALE: 1:8	Weight 38.27	SHEET 5 OF 5

8 7 6 5 4 3 2 1