


AVAILABLE OPTIONS:

- STAFF GAUGE (ENGLISH OR METRIC).
- STILLING WELL (INTEGRAL OR REMOTE).
- BUBBLER TUBE (SS 1/8" ID, INTEGRAL OR REMOVABLE).
- SAMPLER TUBE (SS 3/8" ID, INTEGRAL OR REMOVABLE).
- INLET APPROACH SECTIONS.
- PIPE STUBS.
- RUBBER PIPE COUPLERS W/ SS CLAMP BANDS.
- ADJUSTABLE SS ULTRASONIC BRACKET.
- PH PROBE CAVITY.
- WING WALLS.
- ENERGY ABSORBING RACKS. (FIXED OR REMOVABLE).
- STANDARD OR SPECIAL DEPTHS (INCLUDING SURGE BOXES).
- FLUME COVERS (GRATING, FIBER SHEETING, CLEAR POLYCARBONATE).
- SPECIAL DESIGN (TO MEET SPECIAL PROJECT NEEDS).
- STANDARD COLOR IS BEIGE (CUSTOM COLORS AVAILABLE).

UNLESS OTHERWISE SPECIFIED:		NAME	DATE	 <b>VPC</b> FIBERGLASS 10478 Ridge Rd., Medina NY 14103 Toll Free: 888-290-9522 Phone: 585-735-9668	
DIMENSIONS ARE IN INCHES		DRAWN	LVR		8/28/2020
TOLERANCES:		CHECKED			
FRACTIONAL ±		ENG APPR.			
ANGULAR: MACH ± BEND ±		MFG APPR.			
TWO PLACE DECIMAL ±		Q.A.			
THREE PLACE DECIMAL ±				TITLE: 0.4HS FLUME	
INTERPRET GEOMETRIC TOLERANCING PER:				Project: WITH OPTIONS	
MATERIAL: POLYESTER RESIN				SIZE: B DWG. NO. REV: A	
FINISH:				SCALE: 1:4 Weight 11.67 SHEET 1 OF 5	
DO NOT SCALE DRAWING		3rd ANGLE PROJECTION			

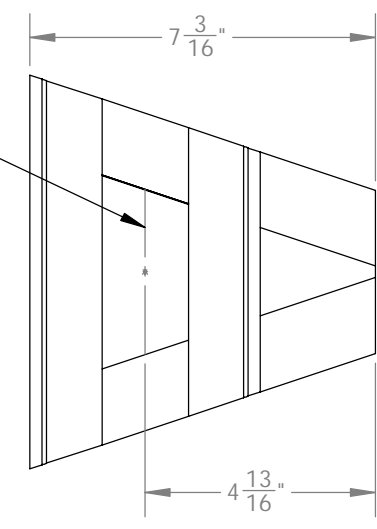
PROPRIETARY AND CONFIDENTIAL  
 THE INFORMATION CONTAINED IN THIS DRAWING IS THE SOLE PROPERTY OF VIRTUAL POLYMER COMPOUNDS, LLC. ANY REPRODUCTION IN PART OR AS A WHOLE WITHOUT THE WRITTEN PERMISSION OF VIRTUAL POLYMER COMPOUNDS, LLC IS PROHIBITED.

D  
C  
B  
A

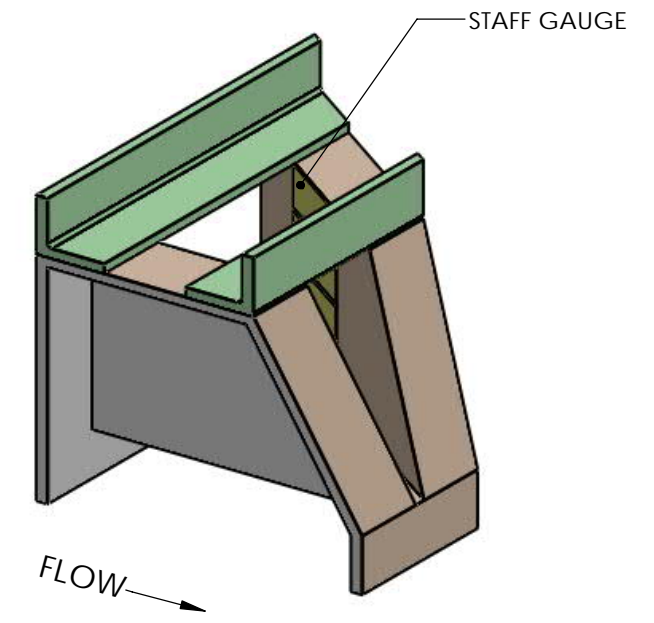
D  
C  
B  
A

HEAD MEASUREMENT LOCATION

FLOW →

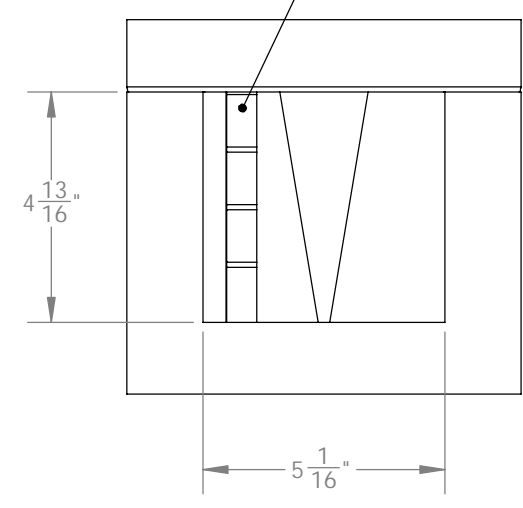


PLAN VIEW

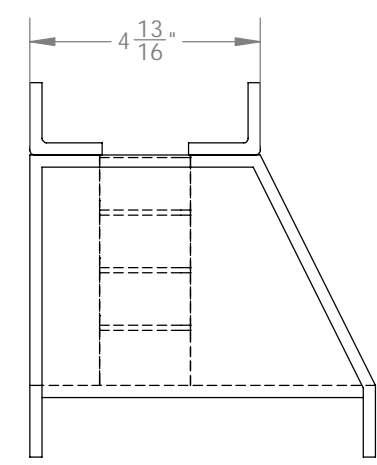


ISOMETRIC VIEW

STAFF GAUGE

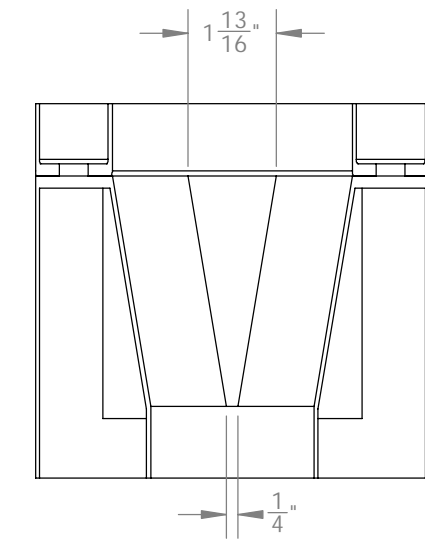


END VIEW  
(LOOKING DOWN STREAM)



FLOW →

SIDE VIEW



END VIEW  
(LOOKING UP STREAM)

PROPRIETARY AND CONFIDENTIAL  
THE INFORMATION CONTAINED IN THIS DRAWING IS THE SOLE PROPERTY OF Virtual Polymer Compounds, LLC. ANY REPRODUCTION IN PART OR AS A WHOLE WITHOUT THE WRITTEN PERMISSION OF Virtual Polymer Compounds, LLC IS PROHIBITED.

UNLESS OTHERWISE SPECIFIED:  
DIMENSIONS ARE IN INCHES  
TOLERANCES:  
FRACTIONAL ±  
ANGULAR: MACH ± BEND ±  
TWO PLACE DECIMAL ±  
THREE PLACE DECIMAL ±  
INTERPRET GEOMETRIC TOLERANCING PER:  
MATERIAL  
POLYESTER RESIN  
FINISH  
DO NOT SCALE DRAWING

	NAME	DATE
DRAWN	LVR	8/28/2020
CHECKED		
ENG APPR.		
MFG APPR.		
Q.A.		

COMMENTS:  
3rd ANGLE PROJECTION

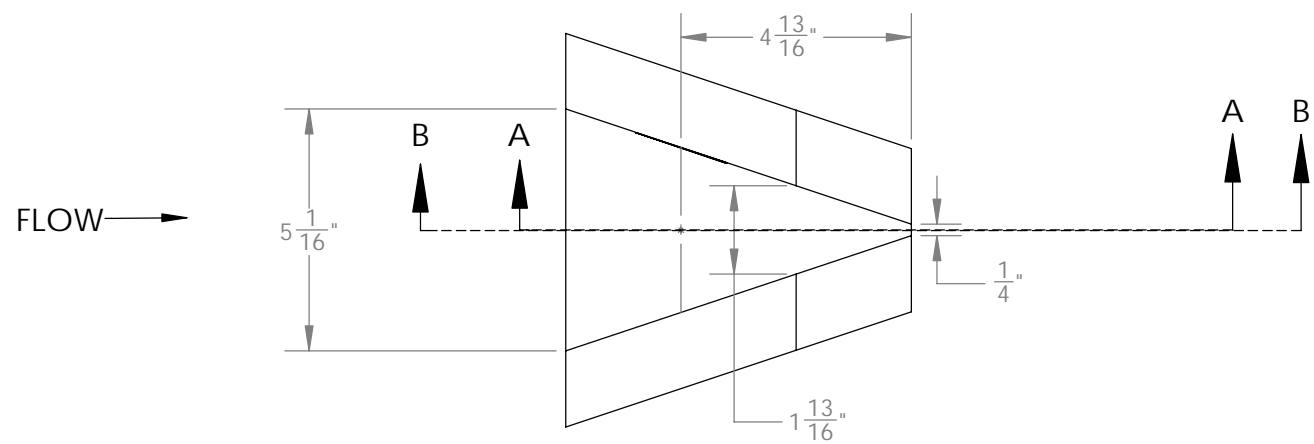
**VPC** 10478 Ridge Rd., Medina NY 14103  
FIBERGLASS Phone: 888-290-9522 585-735-9668

TITLE: 0.4HS FLUME

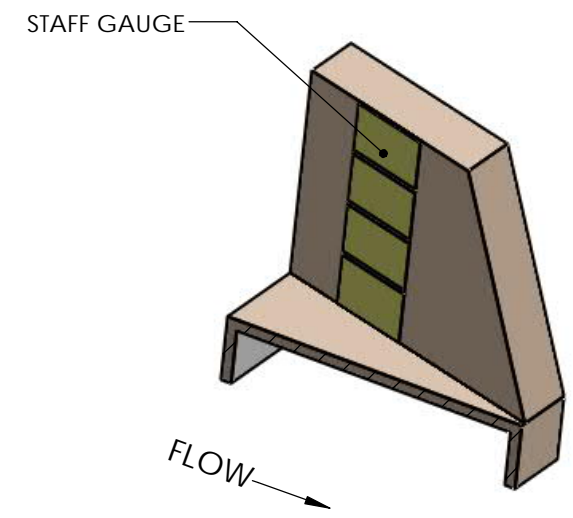
Project: NO OPTIONS

SIZE <b>B</b>	DWG. NO.	REV A
------------------	----------	----------

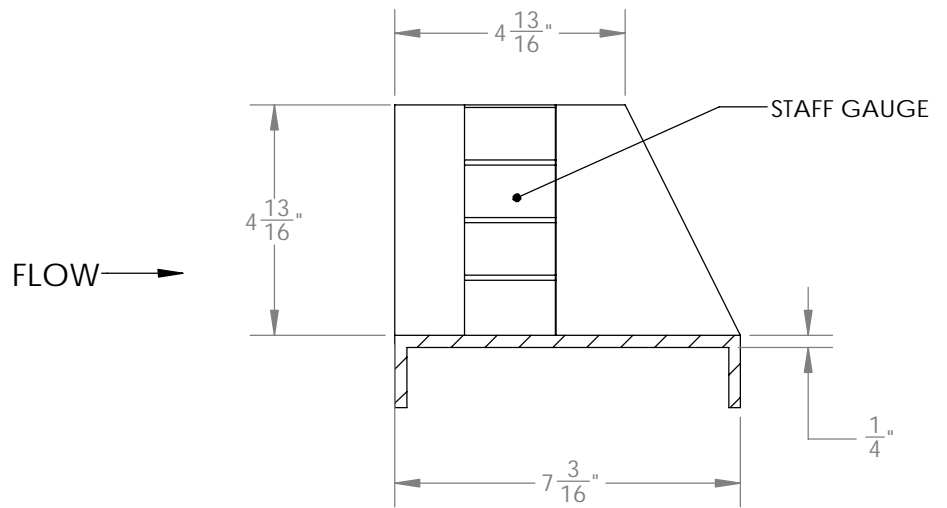
SCALE: 1:4 Weight 2.26 SHEET 2 OF 5




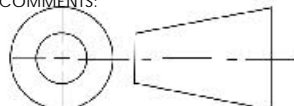
PLAN VIEW  
(SPREADER BARS REMOVED FOR CLARITY)



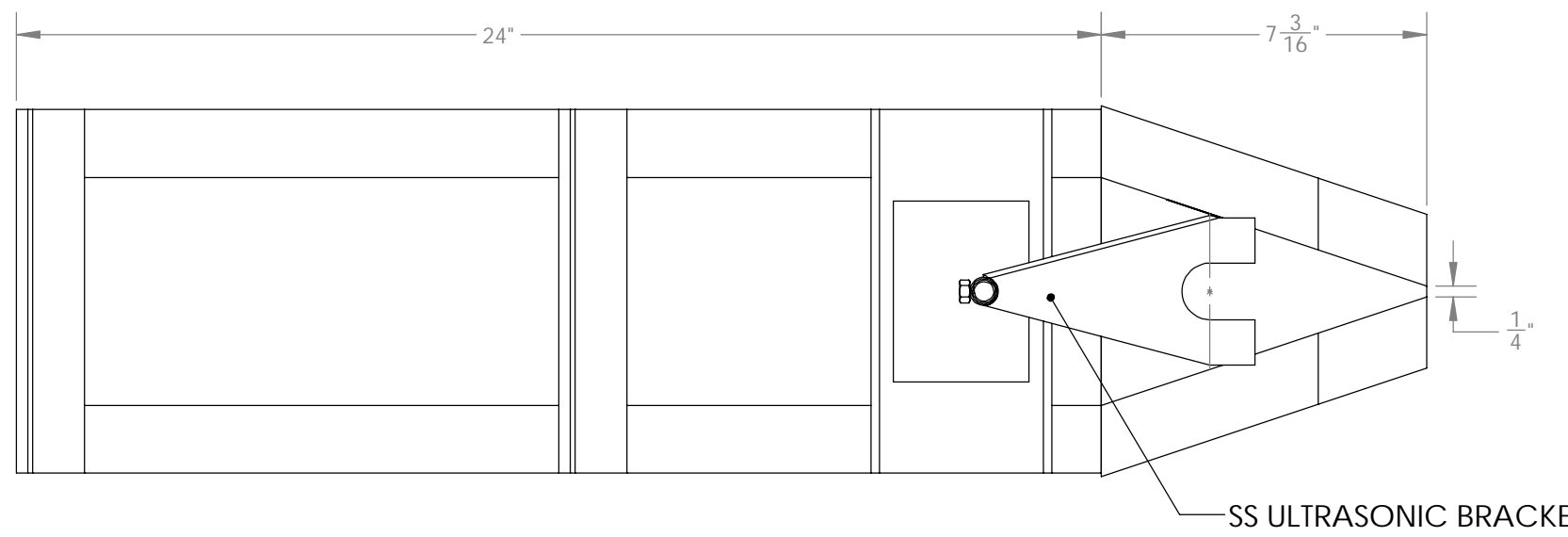
SECTION B-B



SECTION A-A

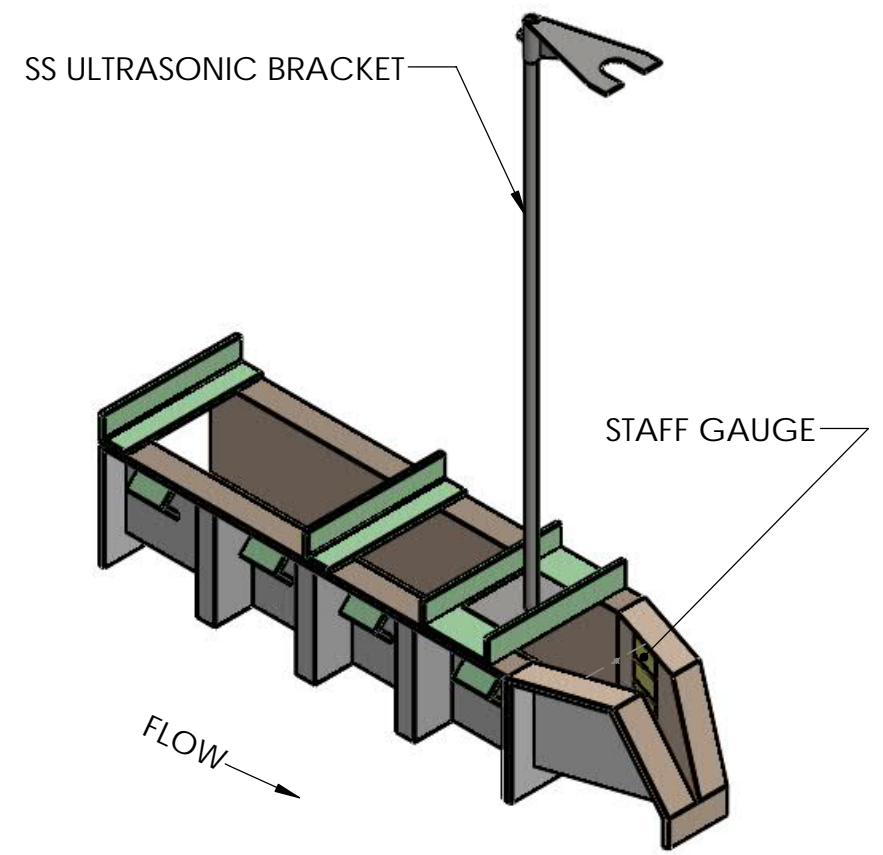
UNLESS OTHERWISE SPECIFIED:		NAME	DATE	 <b>VPC</b> 10478 Ridge Rd., Medina NY 14103 Toll Free: 888-290-9522 Phone: 585-735-9668
DIMENSIONS ARE IN INCHES TOLERANCES: FRACTIONAL ± ANGULAR: MACH ± BEND ± TWO PLACE DECIMAL ± THREE PLACE DECIMAL ±		DRAWN	LVR	
INTERPRET GEOMETRIC TOLERANCING PER:		CHECKED		TITLE: 0.4HS FLUME
MATERIAL POLYESTER RESIN FINISH		ENG APPR.		Project: NO OPTIONS
DO NOT SCALE DRAWING		MFG APPR.		SIZE <b>B</b>
PROPRIETARY AND CONFIDENTIAL THE INFORMATION CONTAINED IN THIS DRAWING IS THE SOLE PROPERTY OF Virtual Polymer Compounds, LLC. ANY REPRODUCTION IN PART OR AS A WHOLE WITHOUT THE WRITTEN PERMISSION OF Virtual Polymer Compounds, LLC IS PROHIBITED.		Q.A.		DWG. NO.
		COMMENTS:	 3rd ANGLE PROJECTION	REV A
				SCALE: 1:4 Weight 2.26 SHEET 3 OF 5

8 7 6 5 4 3 2 1

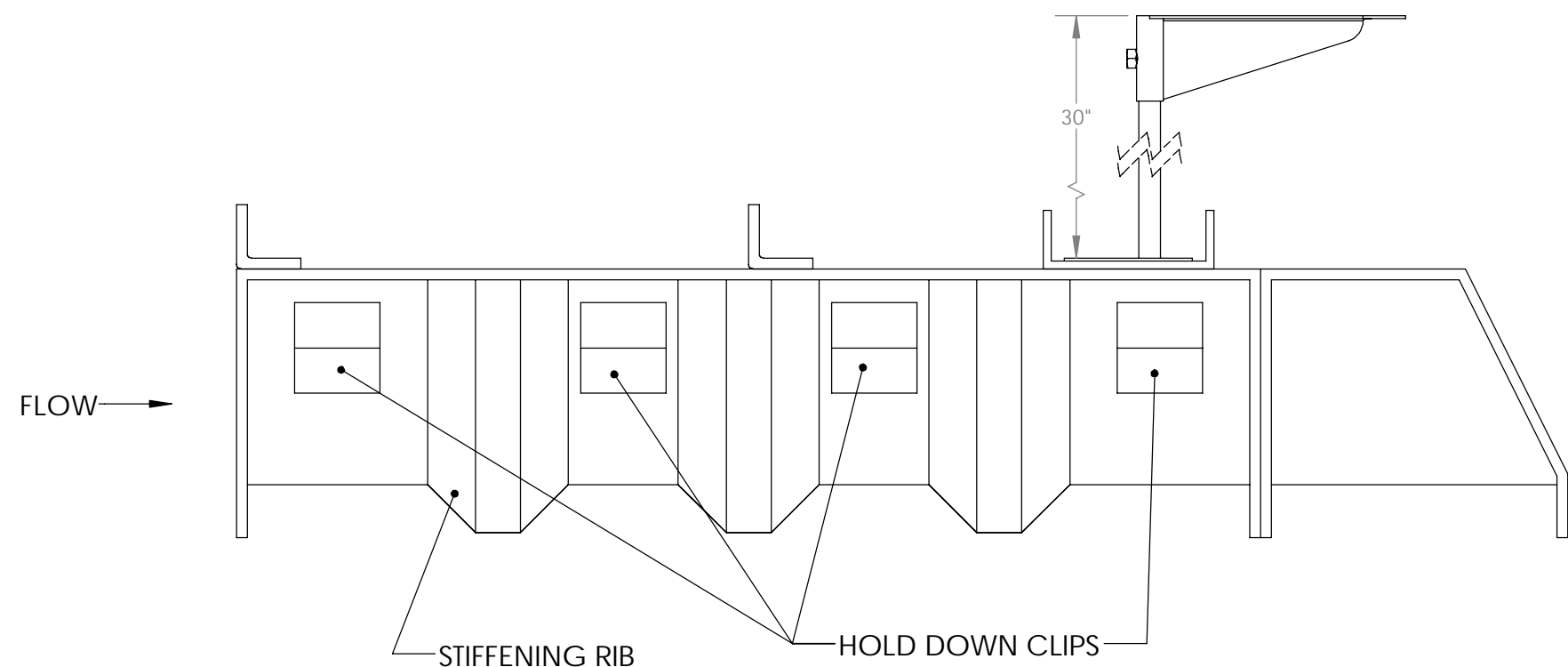


FLOW →

PLAN VIEW



ISOMETRIC VIEW  
SCALE: 1:8



SIDE VIEW

PROPRIETARY AND CONFIDENTIAL  
THE INFORMATION CONTAINED IN THIS DRAWING IS THE SOLE PROPERTY OF Virtual Polymer Compounds, LLC. ANY REPRODUCTION IN PART OR AS A WHOLE WITHOUT THE WRITTEN PERMISSION OF Virtual Polymer Compounds, LLC IS PROHIBITED.

UNLESS OTHERWISE SPECIFIED:  
DIMENSIONS ARE IN INCHES  
TOLERANCES:  
FRACTIONAL ±  
ANGULAR: MACH ± BEND ±  
TWO PLACE DECIMAL ±  
THREE PLACE DECIMAL ±

INTERPRET GEOMETRIC TOLERANCING PER:  
MATERIAL  
POLYESTER RESIN  
FINISH

DO NOT SCALE DRAWING

	NAME	DATE
DRAWN	LVR	8/28/2020
CHECKED		
ENG APPR.		
MFG APPR.		
Q.A.		

COMMENTS:  
3rd ANGLE PROJECTION

**VPC** 10478 Ridge Rd., Medina NY 14103  
FIBERGLASS Toll Free: 888-290-9522 Phone: 585-735-9668

TITLE: 0.4HS FLUME

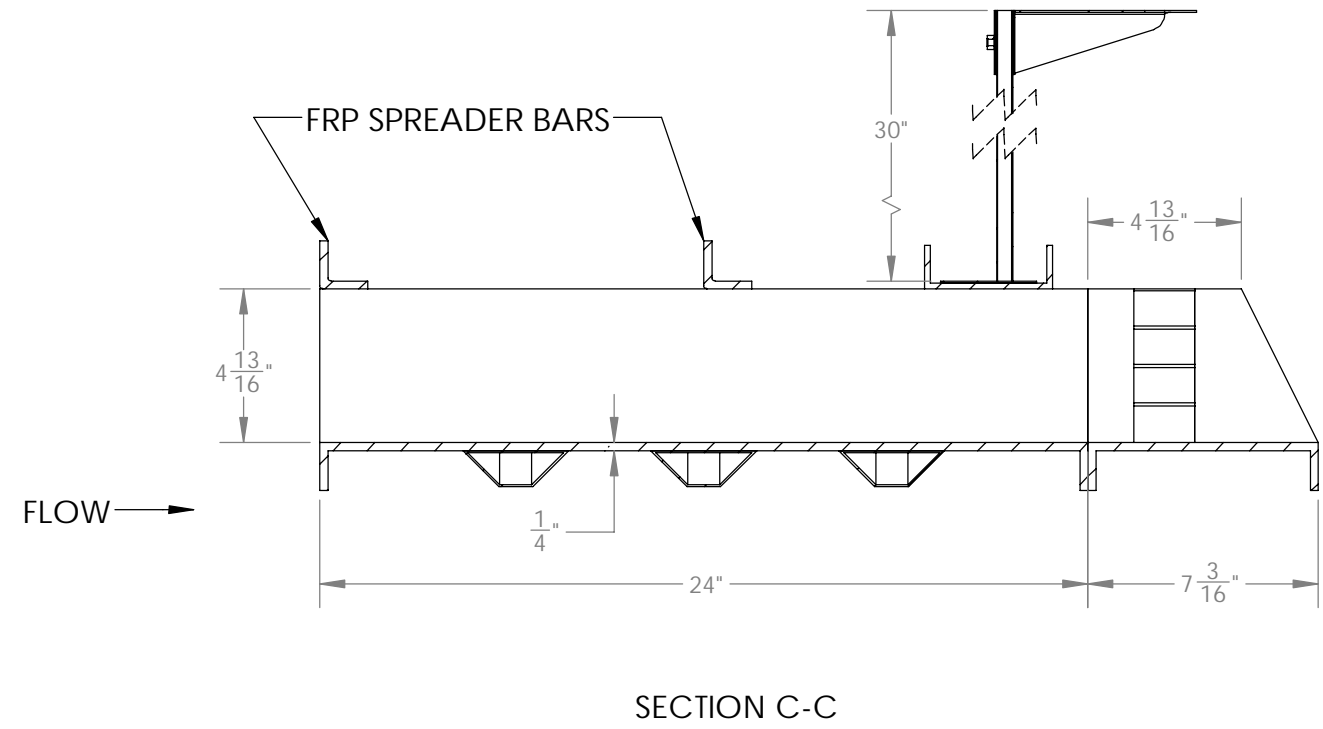
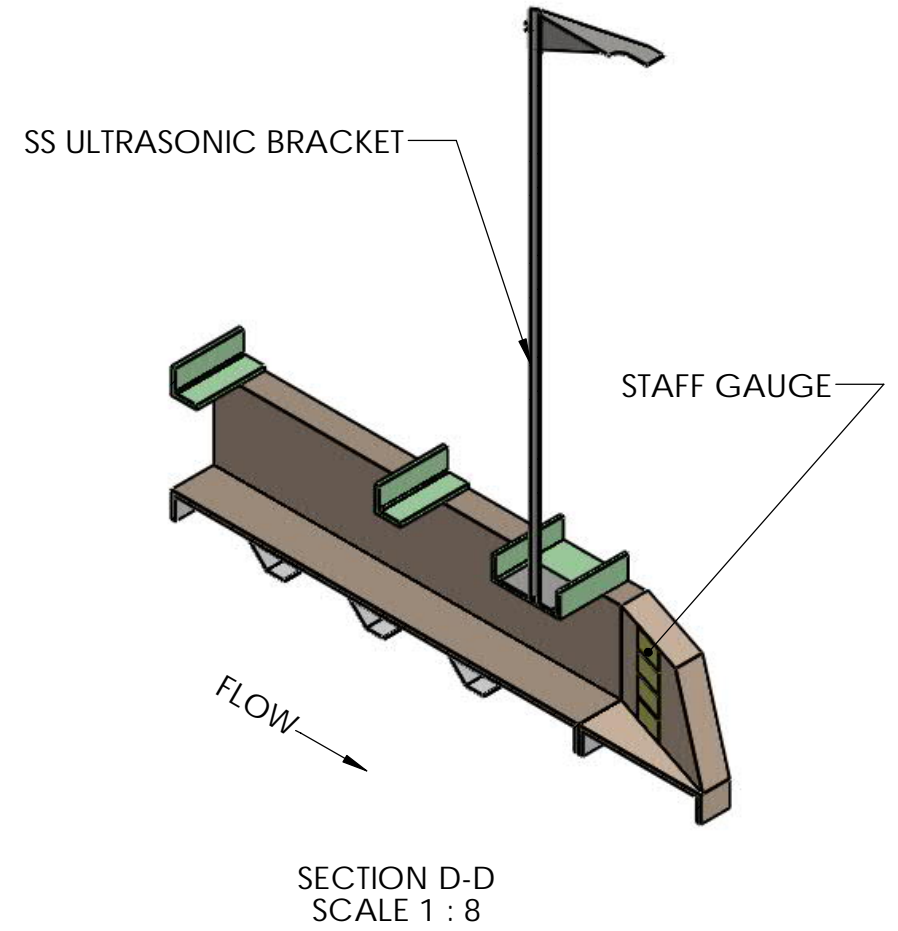
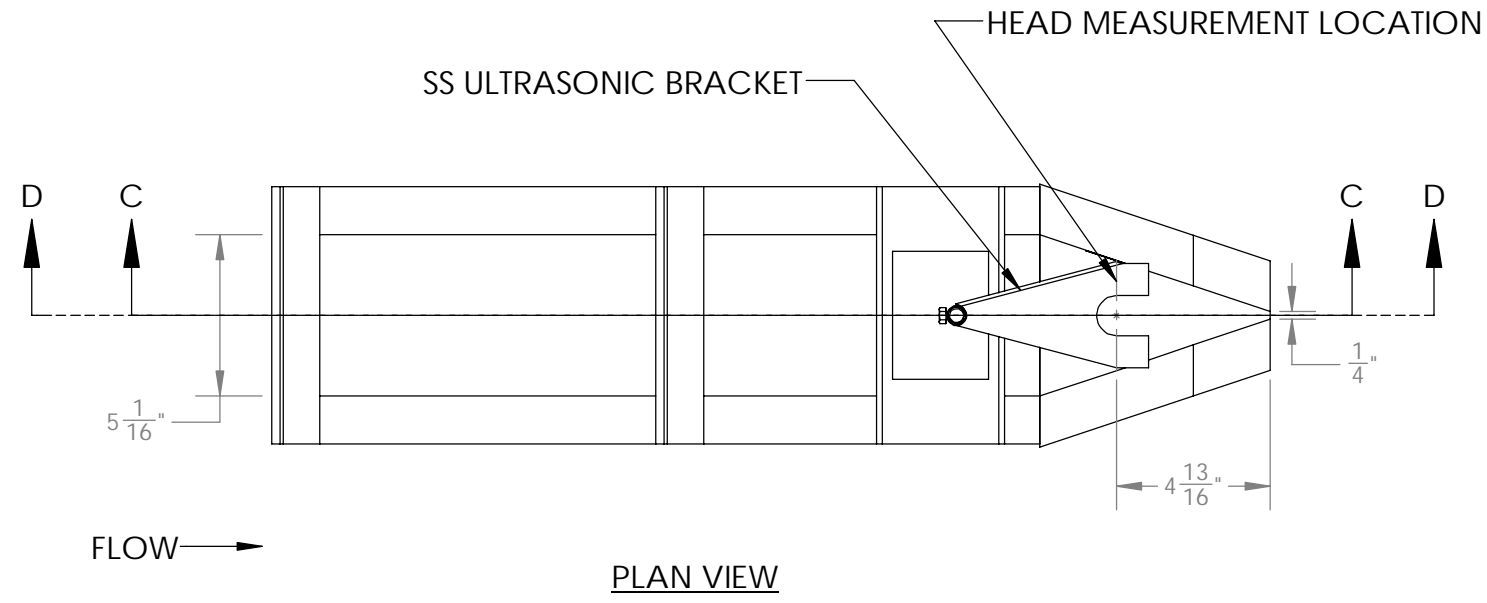
Project: WITH OPTIONS

SIZE <b>B</b>	DWG. NO.	REV A
------------------	----------	----------

SCALE: 1:4 Weight 11.67 SHEET 4 OF 5

8 7 6 5 4 3 2 1

8 7 6 5 4 3 2 1



PROPRIETARY AND CONFIDENTIAL  
THE INFORMATION CONTAINED IN THIS DRAWING IS THE SOLE PROPERTY OF Virtual Polymer Compounds, LLC. ANY REPRODUCTION IN PART OR AS A WHOLE WITHOUT THE WRITTEN PERMISSION OF Virtual Polymer Compounds, LLC IS PROHIBITED.

UNLESS OTHERWISE SPECIFIED:  
DIMENSIONS ARE IN INCHES  
TOLERANCES:  
FRACTIONAL ±  
ANGULAR: MACH ± BEND ±  
TWO PLACE DECIMAL ±  
THREE PLACE DECIMAL ±

INTERPRET GEOMETRIC TOLERANCING PER:  
MATERIAL  
POLYESTER RESIN  
FINISH

DO NOT SCALE DRAWING

	NAME	DATE
DRAWN	LVR	8/28/2020
CHECKED		
ENG APPR.		
MFG APPR.		
Q.A.		
COMMENTS:		
3rd ANGLE PROJECTION		

**VPC** 10478 Ridge Rd.,  
Medina NY 14103  
Toll Free: 888-290-9522  
FIBERGLASS Phone: 585-735-9668

TITLE: 0.4HS FLUME

Project: WITH OPTIONS

SIZE <b>B</b>	DWG. NO.	REV A
SCALE: 1:6	Weight 11.67	SHEET 5 OF 5

8 7 6 5 4 3 2 1